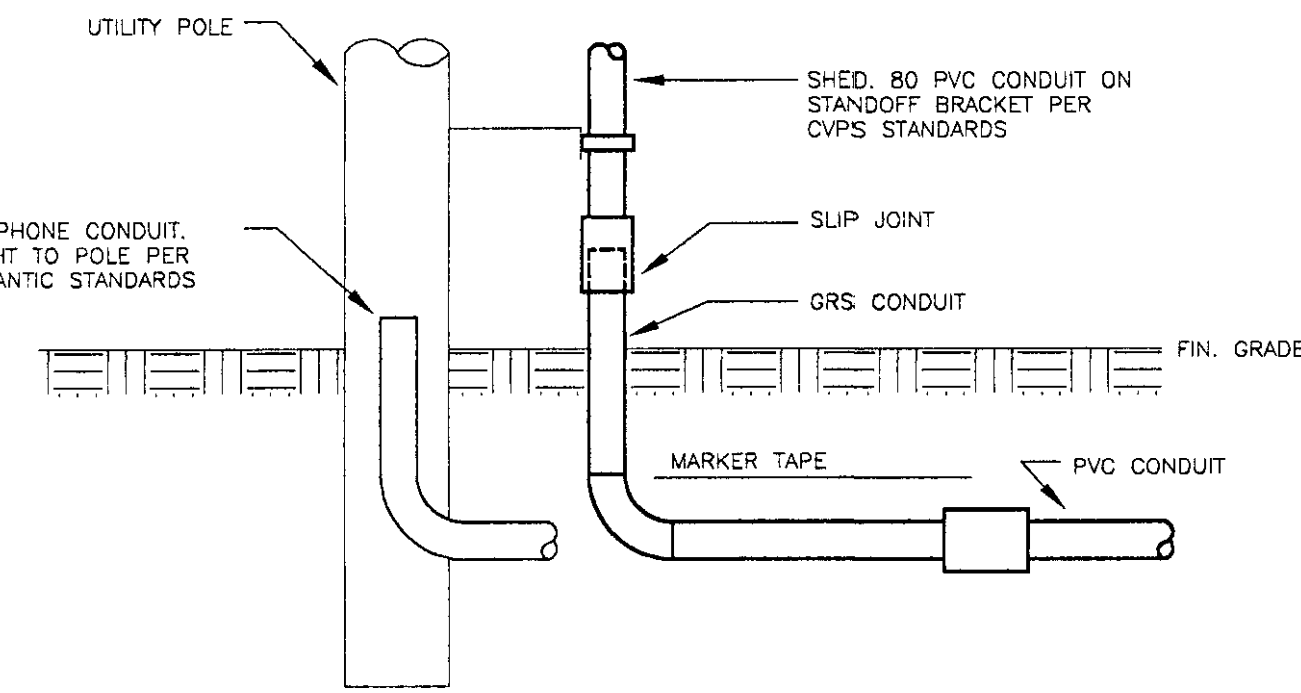


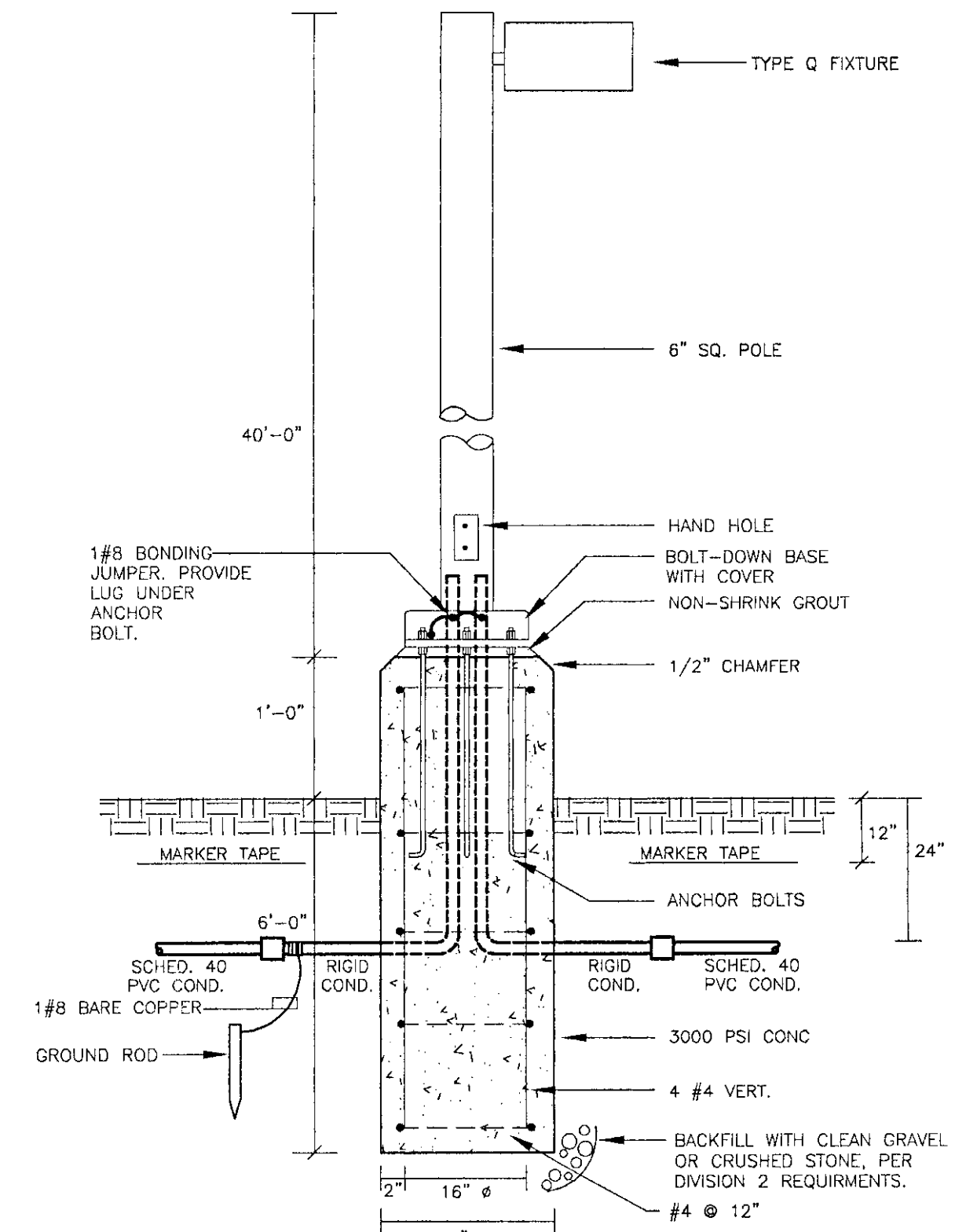
TYPICAL TRENCHING DETAIL
NOT TO SCALE

ELECTRICAL SITE NOTES:

1. DISCONNECT AND REMOVE EXISTING LIGHT POLES. REMOVE ALL ASSOCIATED WIRING BACK TO SOURCE. COORDINATE WITH G.C. FOR REMOVAL OF EXISTING BASES.
2. DISCONNECT AND REMOVE BACK TO SOURCE ALL 120VAC AND TELEPHONE WIRING SERVING PUBLIC TELEPHONE. COORDINATE REMOVAL OF TELEPHONE AND KIOSK WITH TELEPHONE UTILITY.
3. COORDINATE WITH POWER AND TELEPHONE UTILITIES FOR DISCONNECTION OF THEIR SERVICES WIRING TO BUILDING.
4. COORDINATE WITH POWER AND TELEPHONE UTILITIES FOR REMOVAL OF EXISTING OVERHEAD UTILITY LINE, ASSOCIATED POLES AND HARDWARE. REFER TO UNDERGROUND UTILITY DUCTS INDICATED ON SITE PLANS AND ONE-LINE DIAGRAM AND TELEPHONE SYSTEM RISER DIAGRAM FOR NEW WORK.
5. DISCONNECT AND REMOVE EXISTING WIRING SERVING WELLHEAD BACK TO SOURCE. PROVIDE NEW POWER WIRING FROM EXISTING WELLHEAD TO NEW BILLING, SIZE AND TYPE TO MATCH EXISTING. FIELD VERIFY CONDITIONS. REFER TO DWG. E2 AND E4 FOR CONNECTIONS.
6. PROVIDE FIBERGLASS HANDHOLES FLUSH WITH GRADE.



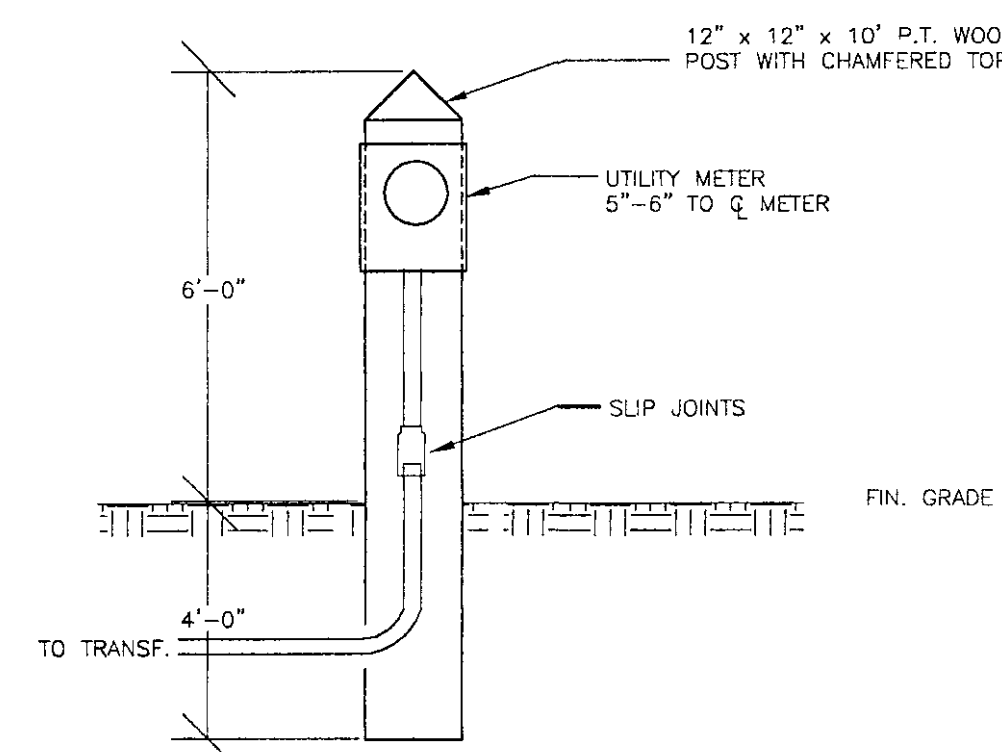
UTILITY POLE DETAIL
NOT TO SCALE



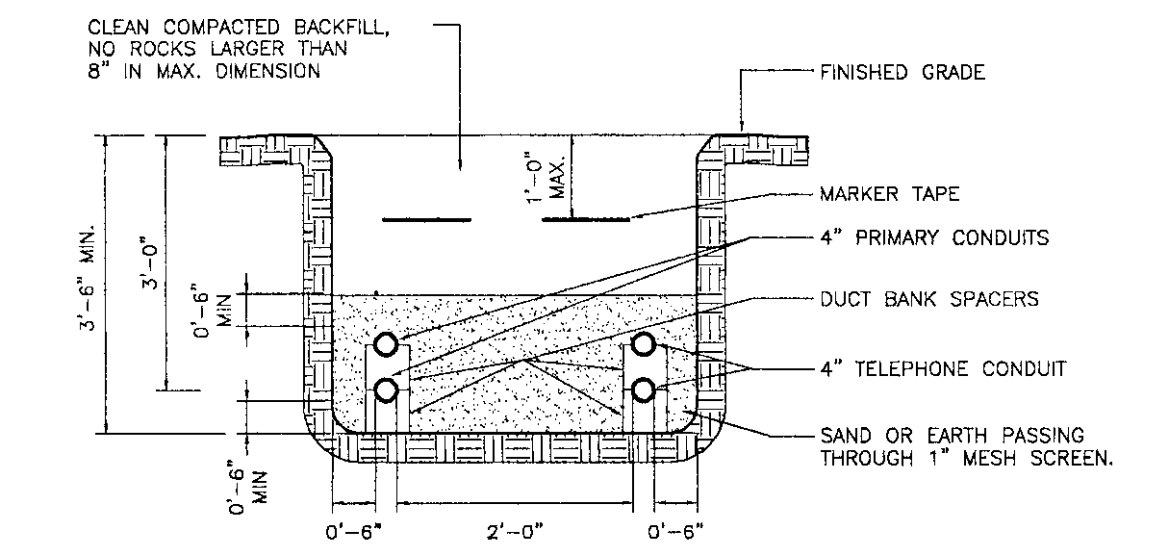
POLE AND BASE DETAIL
NOT TO SCALE

NOTES

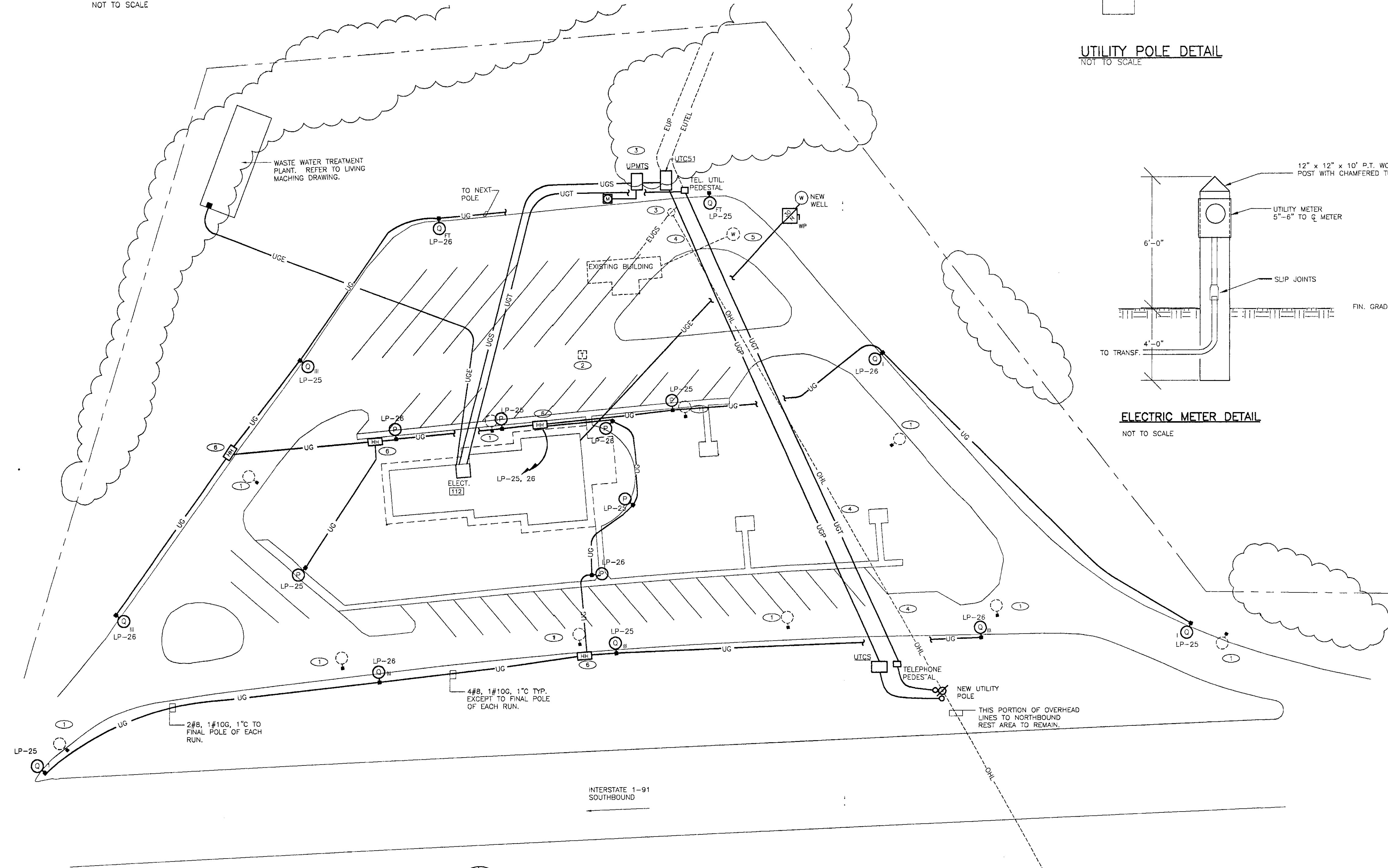
1. SHOWN FOR TYPE Q, SIMILAR FOR TYPE P, EXCEPT 12" DIAMETER OVERALL.



ELECTRIC METER DETAIL
NOT TO SCALE

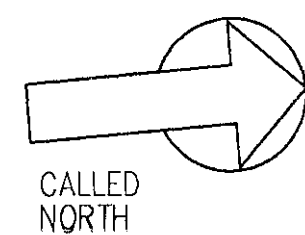


UTILITY TRENCH DETAIL
NOT TO SCALE



ELECTRICAL SITE PLAN - SOUTHBOUND

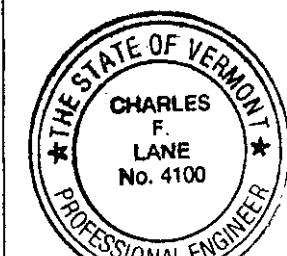
SCALE: 1"=40'-0"



N·B·F
Nimtz • Berryhill • Figiel
ARCHITECTS P.C.
24 1/2 Center Street
Rutland, Vermont
0 5 7 0 1

Steven J. Banik, P.E.
STRUCTURAL ENGINEER
Cuttingsville, Vermont
0 5 7 3 8

LANE ASSOCIATES
CONSULTING
ENGINEERS, P.C.
Rutland, Vermont
0 5 7 0 1



Charles F. Lane

DuBois & King
• Engineering • Planning
• Development • Management
Rutland, Vermont
0 5 7 0 1

Southbound I-91
Hartford
Travel and Information Center
Hartford, Vermont

SITE PLAN
- ELECTRICAL

Sheet Title

Date

10/31/00

CLIENT REVIEW
Issued For

Project: Hartford
Project Number: 0029

E5

Sheet # 28 Of 28