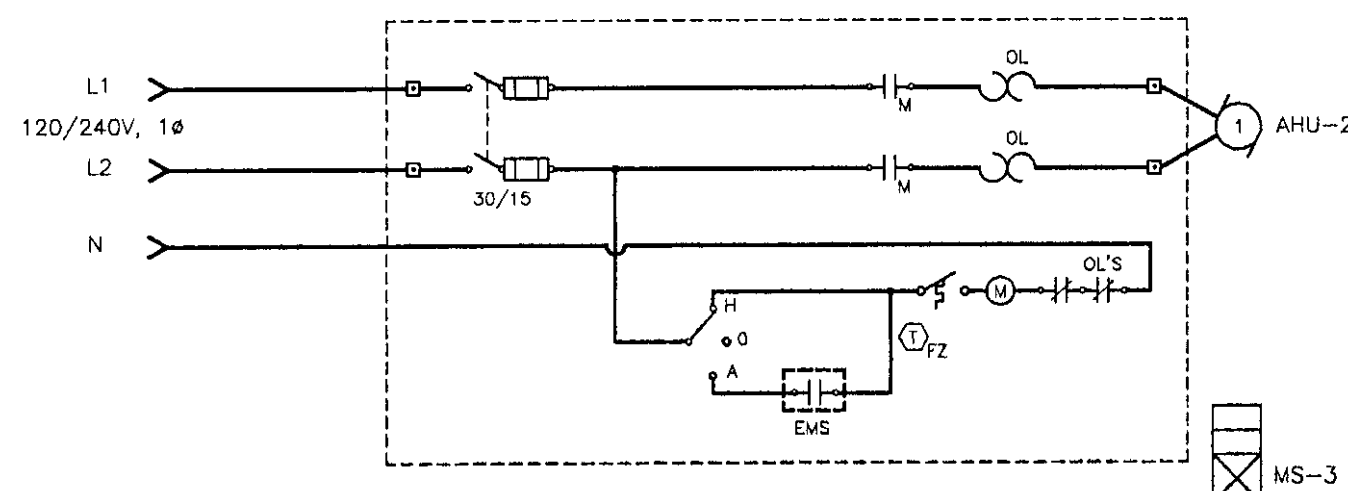


AHU-1 CONTROL WIRING DIAGRAM

NO SCALE

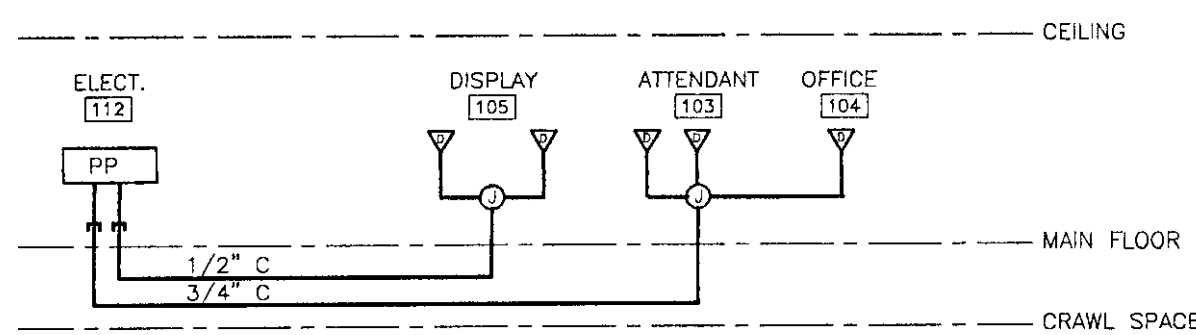
- NOTES:
1. BONDING CONDUCTOR IS NOT INDICATED.



AHU-2 CONTROL WIRING DIAGRAM

NO SCALE

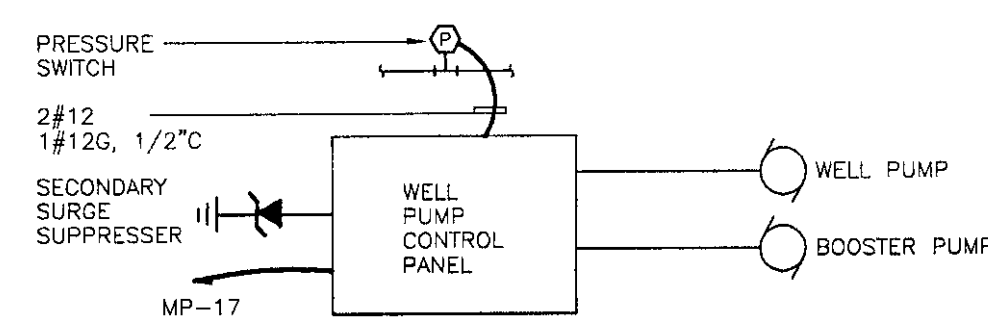
- NOTES:
1. BONDING CONDUCTOR IS NOT INDICATED.
2. SIMILAR FOR CIRCULATOR PUMPS P1 AND P 1A EXCEPT WITHOUT FREEZESTAT.



LAN RISER DIAGRAM

NO SCALE

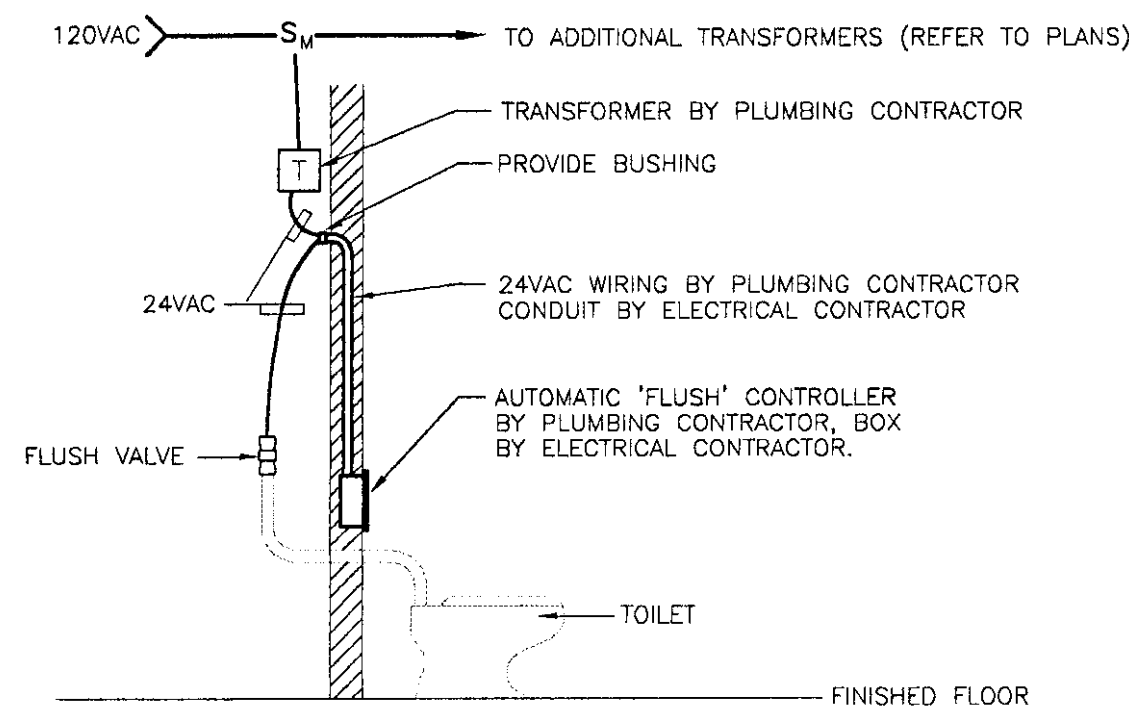
- NOTES:
1. ALL CABLES SHALL BE 4 PAIR CAT. 5. ALL OUTLETS SHALL BE 4" SQ. X1 1/2" D W/SINGLE GANG RING.
2. CONTRACTORS OPTION TO RUN CABLES IN CEILING SPACE W/O CONDUIT. PROVIDE WIDE BODY 'J' HOOKS OR 'D' RINGS FOR CABLE SUPPORT.



WELL PUMP CONTROL WIRING DIAGRAM

NO SCALE

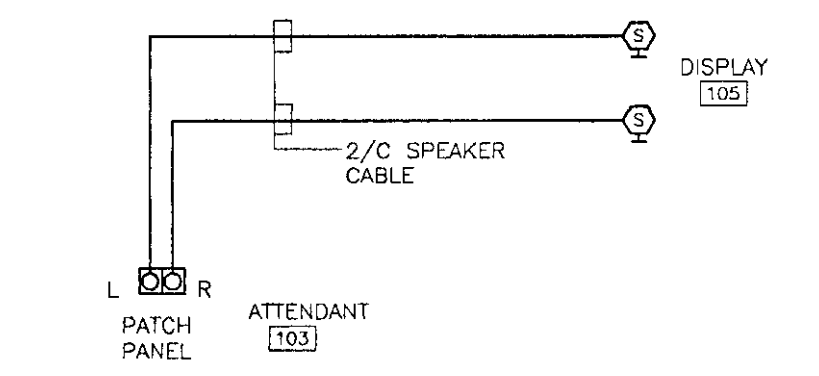
- NOTES:
1. BONDING CONDUCTOR IS NOT INDICATED.
2. FIELD VERIFY EXACT LOCATIONS OF ALL EQUIPMENT



AUTOMATIC FLUSH VALVE CONTROL WIRING ELEVATION

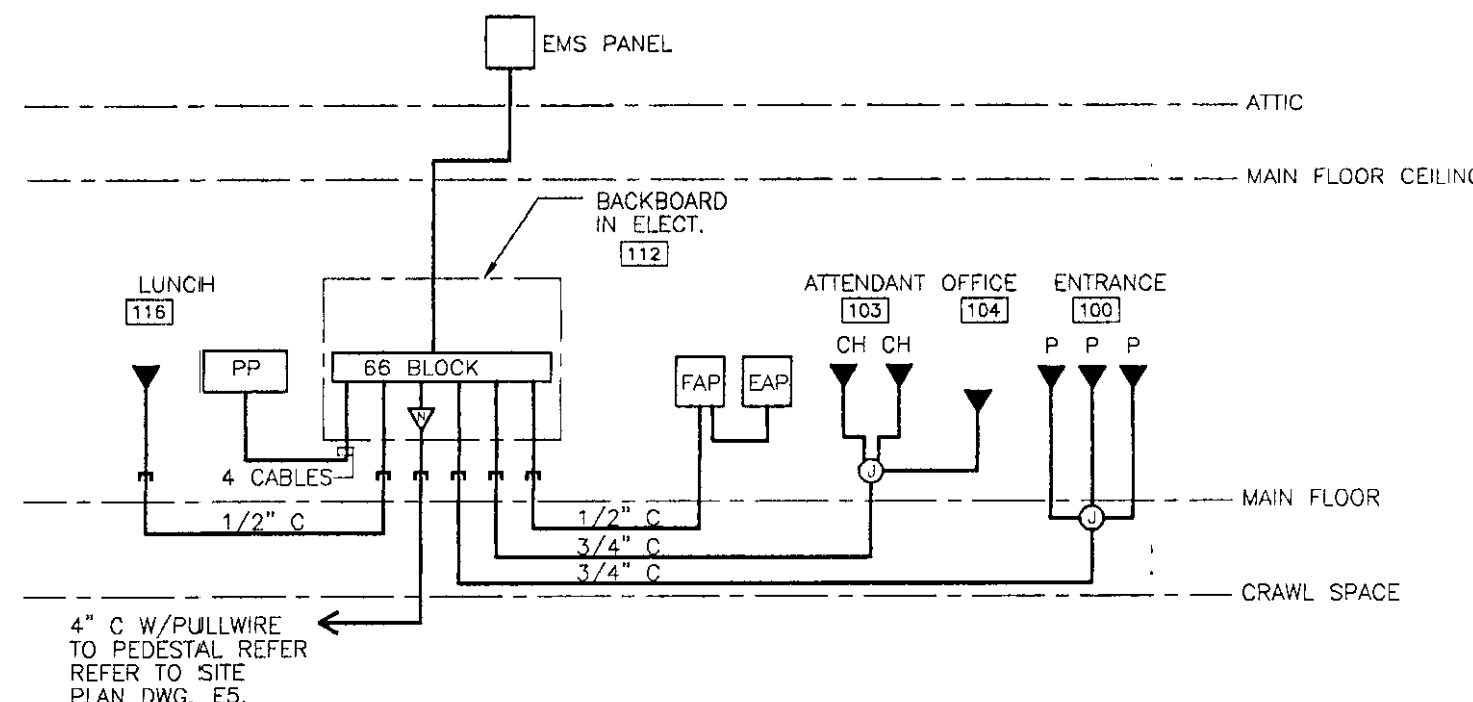
NOT TO SCALE

- NOTES:
1. BONDING CONDUCTORS ARE NOT SHOWN.
2. TYPICAL FOR TOILETS, SIMILAR FOR LAVATORIES. REFER TO PLANS FOR LOCATIONS.
3. COORDINATE INSTALLATION WITH PLUMBING CONTRACTOR PRIOR TO ROUGH-IN.



MUSIC SYSTEM RISER DIAGRAM

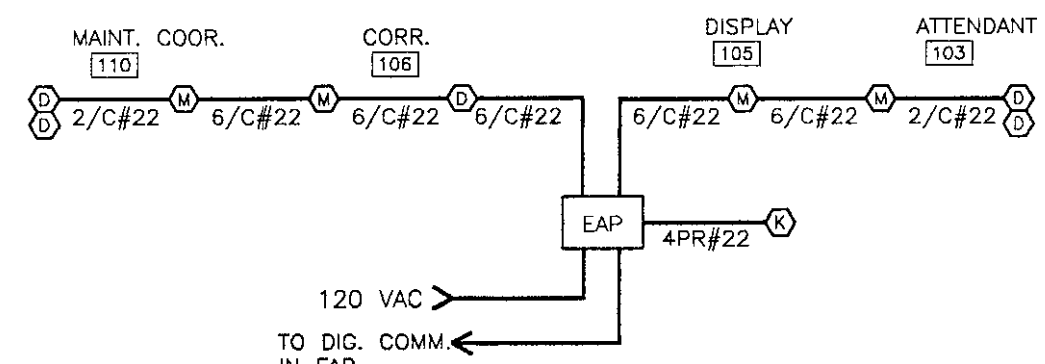
NO SCALE



TELEPHONE RISER DIAGRAM

NO SCALE

- NOTES:
1. ALL CABLES SHALL BE 4 PAIR CAT. 5.
2. CONTRACTORS OPTION TO RUN CABLES THROUGH CEILING SPACE W/O CONDUIT. PROVIDE WIDE BODY 'J' HOOKS OR 'D' RINGS FOR CABLE SUPPORT.

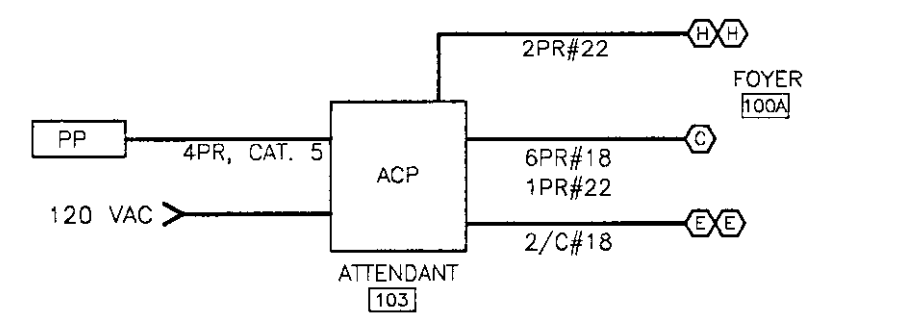


ENTRY ALARM RISER DIAGRAM

NO SCALE

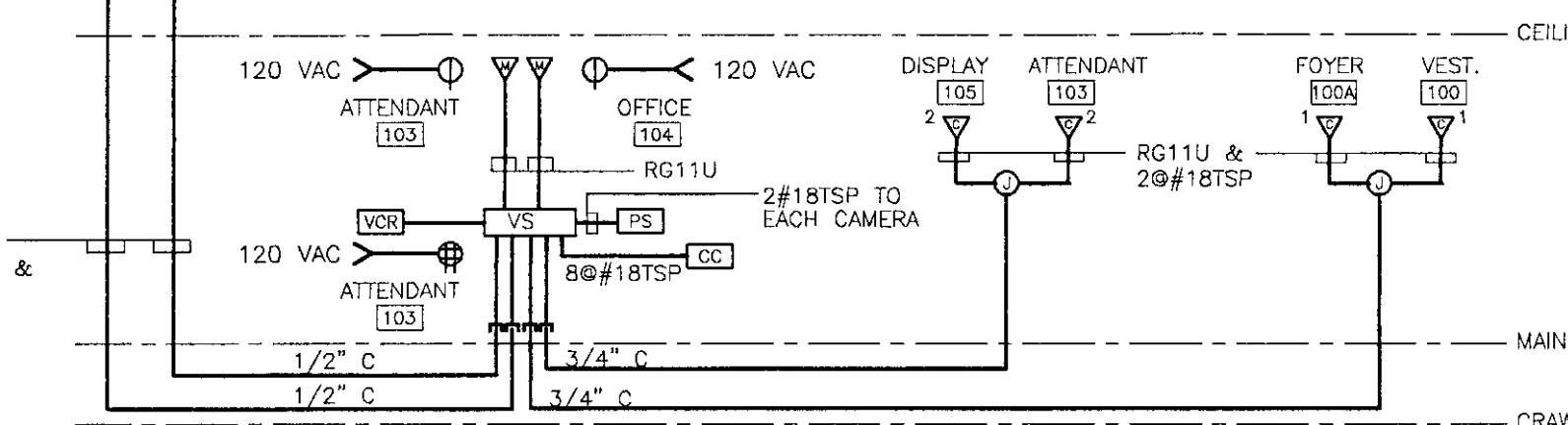
ELECTRICAL LEGEND & ABBREVIATIONS

<p>(A) RECESSED FLUORESCENT FIXTURE, TYPE AS INDICATED. REFER TO SCHEDULE AND SPECIFICATIONS. SUBSCRIPTS: o = SWITCHGROUP, NL = UNSWITCHED NIGHT LIGHT.</p> <p>(B) SURFACE MOUNTED FLUORESCENT FIXTURE, TYPE AS INDICATED. REFER TO SCHEDULE AND SPECIFICATIONS. SUBSCRIPTS: o = SWITCHGROUP, NL = UNSWITCHED NIGHT LIGHT.</p> <p>(H) WALL MOUNTED FLUORESCENT FIXTURE, TYPE AS INDICATED. REFER TO SCHEDULE AND SPECIFICATIONS. SUBSCRIPTS: o = SWITCHGROUP, NL = UNSWITCHED NIGHT LIGHT.</p> <p>(C) CEILING MOUNTED INCANDESCENT, COMPACT FLUORESCENT OR H.I.D. FIXTURE, TYPE AS INDICATED. REFER TO SCHEDULE AND SPECIFICATIONS. SUBSCRIPTS: o = SWITCHGROUP, NL = UNSWITCHED NIGHT LIGHT.</p> <p>(T) WALL MOUNTED, INCANDESCENT, COMPACT FLUORESCENT OR H.I.D. FIXTURE REFER TO SCHEDULE AND SPECIFICATIONS. TYPE AS INDICATED. SUBSCRIPTS: o = SWITCHGROUP, NL = UNSWITCHED NIGHT LIGHT.</p> <p>(S) POLE MOUNTED H.I.D. FIXTURE. REFER TO SCHEDULE AND/OR SPECIFICATIONS. TYPE AS INDICATED. SUBSCRIPTS: o = SWITCHGROUP, NL = UNSWITCHED NIGHT LIGHT.</p> <p>(X) WALL MOUNTED EXIT LIGHT, BACK MOUNTED ON WALL. MH=8'-0" U.O.N. SUBSCRIPTS: T = TOP MOUNTED, E = END MOUNTED, 2 = DOUBLE FACE 2 = DOUBLE FACED.</p> <p>(E) WALL MOUNTED EMERGENCY LIGHTING BATTERY PACK WITH DUAL HEADS. TYPE (1) AS INDICATED. M.H. = 8' - 0"</p> <p>(R) WALL MOUNTED REMOTE EMERGENCY LIGHTING HEADS. TYPE (1) AS INDICATED. M.H. = 8' - 0"</p> <p>(S) SINGLE POLE SWITCH, MH = 4'-0" U.O.N., SUBSCRIPTS: 2 = 2 POLE, 3 = WAY, 4 = 4 WAY, K = KEY OPERATED, D = DIMMER, V = VARIABLE SPEED, o = SWITCHGROUP</p> <p>(LC) LIGHTING CONTROLLER FOR DAYLIGHT DIMMING SYSTEM, MH = 6'-0" TO TOP SUBSCRIPTS: 1 = SYSTEM NUMBER, REFER TO SPECIFICATIONS.</p> <p>(D) DAYLIGHT SENSOR, SUBSCRIPTS: 1 = SYSTEM NUMBER, REFER TO SPECIFICATIONS.</p> <p>(O) OCCUPANCY SENSOR, SUBSCRIPTS: 1 = TYPE, REFER TO SPECIFICATIONS.</p> <p>(R) LOW VOLTAGE LIGHTING RELAY, REFER TO SPECIFICATIONS.</p> <p>(D) DUPLEX RECEPTACLE, MH = 2'-0" U.O.N.</p> <p>(D) DOUBLE DUPLEX RECEPTACLE, MH = 2'-0" U.O.N.</p> <p>(D) DUPLEX RECEPTACLE WITH ISOLATED GROUND AND SURGE SUPPRESSOR, MH = 2'-0" U.O.N.</p> <p>(D) DUPLEX RECEPTACLE WITH 5 MA G.F.C.I., MH = 2'-0" U.O.N.</p> <p>(S) SINGLE RECEPTACLE, MH = 2'-0" U.O.N., SUBSCRIPTS: EWC = ELECTRIC WATER COOLER BRANCH CIRCUIT WIRING.</p> <p>(L) LOW VOLTAGE WIRING.</p> <p>(DC) DC WIRING FOR EMERGENCY LIGHTING SYSTEM</p> <p>(H) HOME RUN TO PANELBOARD AND CIRCUIT BREAKER INDICATED.</p> <p>(P) PANELBOARD WITH DESIGNATION, 120/208 VOLTS, REFER TO SCHEDULE. MH = 6'-0" TO TOP.</p> <p>(S) SURGE SUPPRESSOR</p> <p>(U) UTILITY METER, MH = 5'0"</p> <p>(M) MOTOR WITH HORSEPOWER DESIGNATED, F = FRACTIONAL HORSEPOWER LESS THAN 1/8 HP.</p> <p>(P) PRE-WIRED CONTROL PACKAGE FURNISHED WITH EQUIPMENT.</p> <p>(S) TOGGLE TYPE MOTOR DISCONNECT SWITCH, HP RATED, MH = 4'-6" U.O.N. OR ON EQUIPMENT.</p> <p>(B) BURNER EMERGENCY SWITCH, REFER TO SPECIFICATIONS, MH = 4'-6" U.O.N.</p> <p>(S) SELF CONTAINED CONTROL DEVICE, L = LEVEL, P = PRESSURE, T = TEMPERATURE SUBSCRIPTS: LWO = LOW WATER CUTOFF SWITCH, H = HIGH, L = LOW, O = OPERATING, FZ = FREEZE STAT.</p> <p>(T) DRY TYPE TRANSFORMER FOR TEMPERATURE CONTROL POWER, FURNISHED BY MECH. CONTR. 120 VAC WIRING BY ELECT. CONTR.</p> <p>(R) LOW VOLTAGE TEMPERATURE CONTROL RELAY, PROVIDED BY MECHANICAL CONTRACTOR. 120 VAC WIRING BY ELECTRICAL CONTRACTOR</p> <p>(U) UNIT HEATER, PROVIDED BY MECH. CONTR., WIRED BY ELECT. CONTR.</p> <p>(C) CABINET HEATER, PROVIDED BY MECH. CONTR. WIRED BY ELECT. CONTR.</p> <p>(T) THERMOSTAT, PROVIDED BY MECH. CONTR. 120 VAC WIRING BY ELECT. CONTR.</p> <p>(A) AQUASTAT, PROVIDED BY MECH. CONTR. WIRED BY ELECT. CONTR.</p> <p>(S) FIR-O-MATIC SWITCH, CEILING MOUNTED.</p> <p>(D) DISCONNECT SWITCH, MH = 6' - 0" OR ON EQUIPMENT, 60/40 = FRAME/FUSE SIZE, N = NOT FUSED.</p> <p>(M) MOTORIZED DAMPER, PROVIDED BY MECH. CONTR. WIRED BY ELECT. CONTR. SUBSCRIPTS: CA = COMBUSTION AIR, VA = VENTILATION AIR.</p> <p>(S) MOTOR STARTER, MH = 5'-0" OR ON EQUIPMENT. SUBSCRIPTS: VFD = VARIABLE FREQUENCY DRIVE</p> <p>(C) COMBINATION MAGNETIC STARTER, MH = 6' - 0" OR ON EQUIPMENT, 60/40 = FRAME/FUSE SIZE, N = NOT FUSED.</p> <p>(S) HAND/OFF/AUTO SWITCH. MH = 4'-6". U.O.N.</p>	<p>(S) SPEAKER, WALL MOUNTED. MH = 8'-0", U.O.N., SUBSCRIPTS: 1 = TYPE</p> <p>(M) FIRE ALARM MANUAL PULL STATION, MH = 48" = U.O.N.</p> <p>(M) FIRE ALARM SMOKE DETECTOR. SUBSCRIPTS: D= DUCT MOUNTED.</p> <p>(M) FIRE ALARM HEAT DETECTOR, 130' ROR, SUBSCRIPTS: 1=135' FIXED, 2=200' FIXED.</p> <p>(M) REMOTE INDICATOR AND RESET SWITCH FOR SMOKE DETECTOR, MH = 4'-0" U.O.N.</p> <p>(M) FIRE ALARM COMBINATION HORN AND STROBE LIGHT, MH = 7'-0" TO BOTTOM, U.O.N., NUMBER INDICATES CANDLEPOWER OF STROBE.</p> <p>(M) FIRE ALARM STROBE LIGHT, MH = 7'-0" TO BOTTOM, U.O.N., NUMBER INDICATES CANDLEPOWER OF STROBE.</p> <p>(M) FIRE ALARM SYSTEM INPUT MODULE</p> <p>(M) FIRE ALARM SYSTEM OUTPUT MODULE</p> <p>(M) SPRINKLER SYSTEM FLOW SWITCH</p> <p>(M) SPRINKLER SYSTEM SUPERVISORY TAMPER SWITCH</p> <p>(M) SPRINKLER SYSTEM SUPERVISORY PRESSURE SWITCH. SUBSCRIPTS: H = HIGH, L = LOW</p> <p>(M) FIRE ALARM RELAY</p> <p>(M) ENTRY ALARM MOTION SENSOR, WALL MOUNT AT CEILING.</p> <p>(M) ENTRY ALARM KEYPAD. MH = 4'-0"</p> <p>(M) ENTRY ALARM DOOR CONTACT. MOUNT IN HEAD FRAME ON STRIKE SIDE OF DOOR.</p> <p>(M) ENTRY ALARM CONTROL PANEL</p> <p>(M) ACCESS CONTROL CARD READER, M.H. = 4'-0".</p> <p>(M) ELECTRIC DOOR STRIKE</p> <p>(M) ACCESS CONTROL DOOR STATUS SENSOR.</p> <p>(M) ACCESS CONTROL SYSTEM CONTROL PANEL</p> <p>(M) CCTV CAMERA OUTLET, TYPE AS INDICATED. REFER TO SPECIFICATIONS.</p> <p>(M) CCTV MONITOR, CEILING MOUNTED</p> <p>(M) CCTV CONTROL CONSOLE, DESK MOUNTED.</p> <p>(M) VIDEO SWITCH, DESK MOUNTED</p> <p>(M) VIDEO RECORDER, DESK MOUNTED</p> <p>(M) CCTV CAMERA POWER SUPPLY, DESK MOUNTED</p> <p>(M) ATTENDANCE COUNTER OUTLET. SUBSCRIPTS: T=TRANSMITTER MH=2'-0", R=RECEIVER MH=2'-0", MH=4'-6".</p> <p>(M) TELEPHONE OUTLET, MH = 2'-0" U.O.N., SUBSCRIPT: W = WALL MOUNTED AT 4'-6". P = PAY PHONE MOUNTED AT 4'-6".</p> <p>(M) COMBINATION TELEPHONE/DATA OUTLET, MH = 2'-0" U.O.N., SUBSCRIPT: W = WALL MOUNTED AT 4'-6".</p> <p>(M) DATA OUTLET, MH = 2'-0" U.O.N., SUBSCRIPT.</p> <p>(M) PATCH PANEL, MH=4'-6"</p> <p>(M) TIME CLOCK, MH = 5' - 0" SUBSCRIPTS: 1 = TYPE</p> <p>(M) CONTRACTOR, MH = 5' - 0"</p> <p>(M) PHOTOCELL, MH = 10'-0", SUBSCRIPTS: 1 = TYPE</p> <p>(M) MOUNTING HEIGHT TO CENTER OF OUTLET ABOVE FINISHED FLOOR OR GRADE.</p> <p>(M) COUNTER HEIGHT MOUNTING - 6" ABOVE BACKSPASH.</p> <p>(M) U.O.N. UNLESS OTHERWISE NOTED</p> <p>(M) WP WEATHERPROOF, N.E.M.A. 3R, MINIMUM.</p> <p>(M) EHD ELECTRIC HAND DRYER</p> <p>(M) EMS ENERGY MANAGEMENT SYSTEM (DDC TEMPERATURE CONTROLS)</p> <p>(M) TYP TYPICAL</p> <p>(M) TSP TWISTED, SHIELDED PAIR</p> <p>(M) UGP UNDERGROUND PRIMARY ELECTRIC</p> <p>(M) UGS UNDERGROUND ELECTRIC SERVICE</p> <p>(M) UGT UNDERGROUND TELEPHONE</p> <p>(M) UG UNDERGROUND BRANCH CIRCUIT</p> <p>(M) OHP OVERHEAD PRIMARY</p> <p>(M) OHS OVERHEAD SECONDARY</p> <p>(M) OHT OVERHEAD TELEPHONE</p>
--	--



ACCESS CONTROL SYSTEM WIRING DIAGRAM

NO SCALE



CCTV RISER DIAGRAM

NO SCALE

- NOTES:
1. CONTRACTORS OPTION TO RUN CABLES THROUGH CEILING SPACE W/O CONDUIT. PROVIDE WIDE BODY 'J' HOOKS OR 'D' RINGS FOR CABLE SUPPORT.