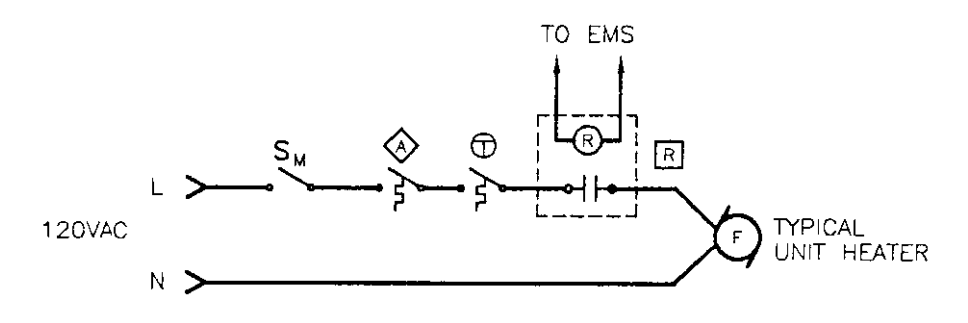


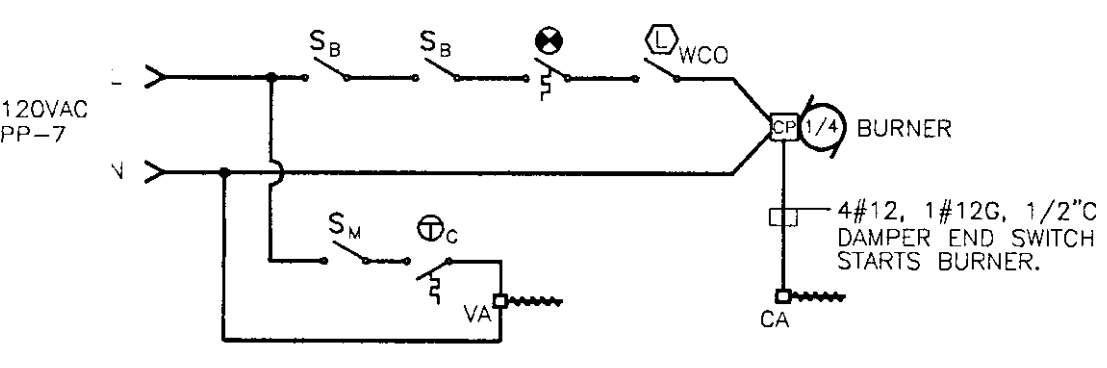
DOMESTIC HOT WATER CONTROL WIRING DIAGRAM
NO SCALE

NOTES
1. BONDING CONDUCTOR IS NOT SHOWN.



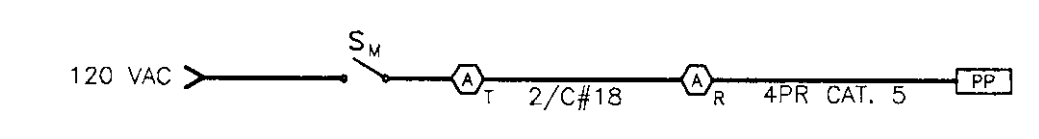
UNIT HEATER WIRING DIAGRAM
NO SCALE

NOTES
1. BONDING CONDUCTOR IS NOT SHOWN.
2. TYPICAL FOR UH-1, 2, & 3.
3. SIMILAR FOR CH-1 & 2.
4. SIMILAR FOR EF-1, EXCEPT NO AQUASTAT.

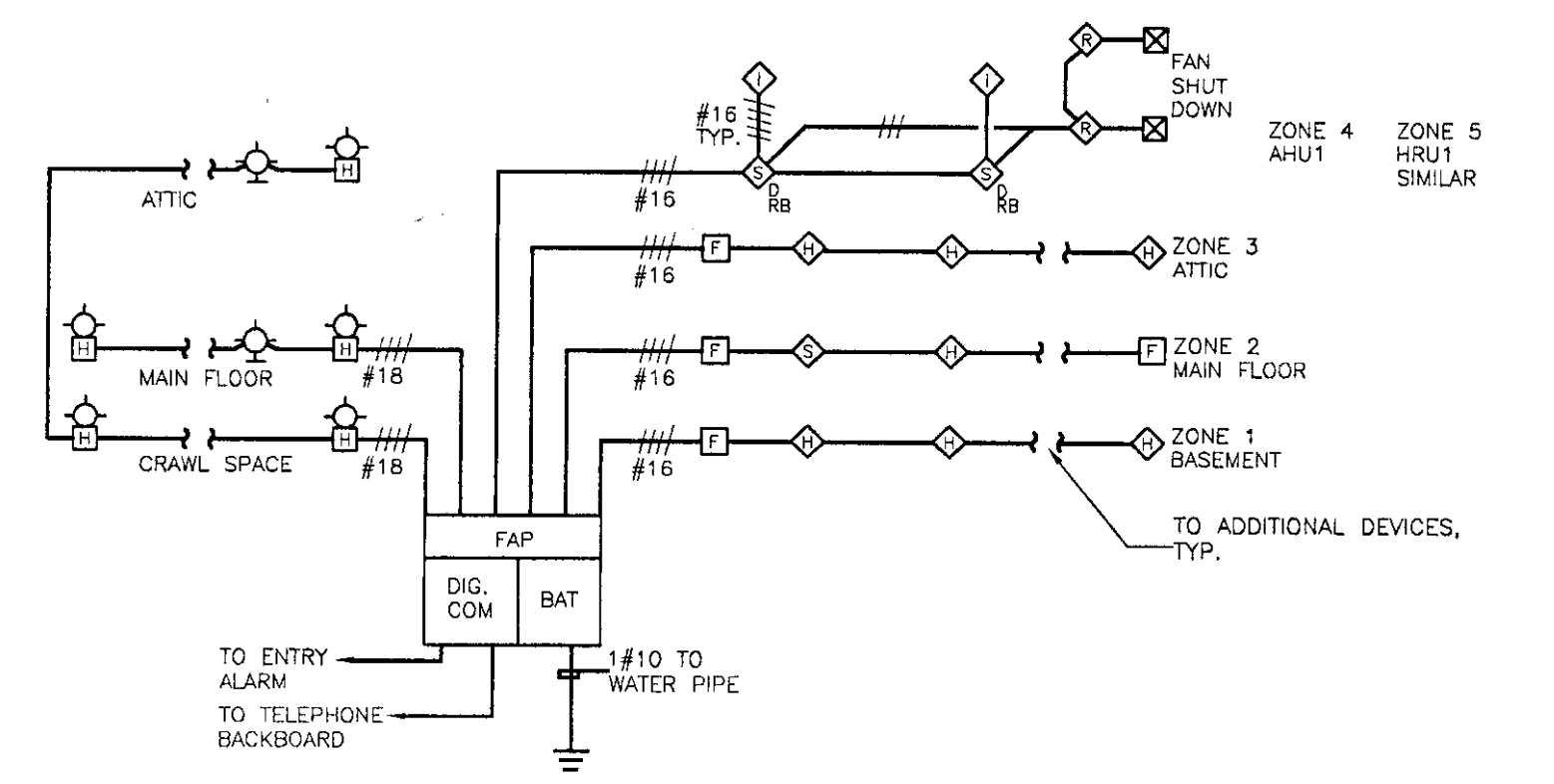


BURNER WIRING DIAGRAM
NO SCALE

NOTES
1. BONDING CONDUCTOR IS NOT SHOWN.

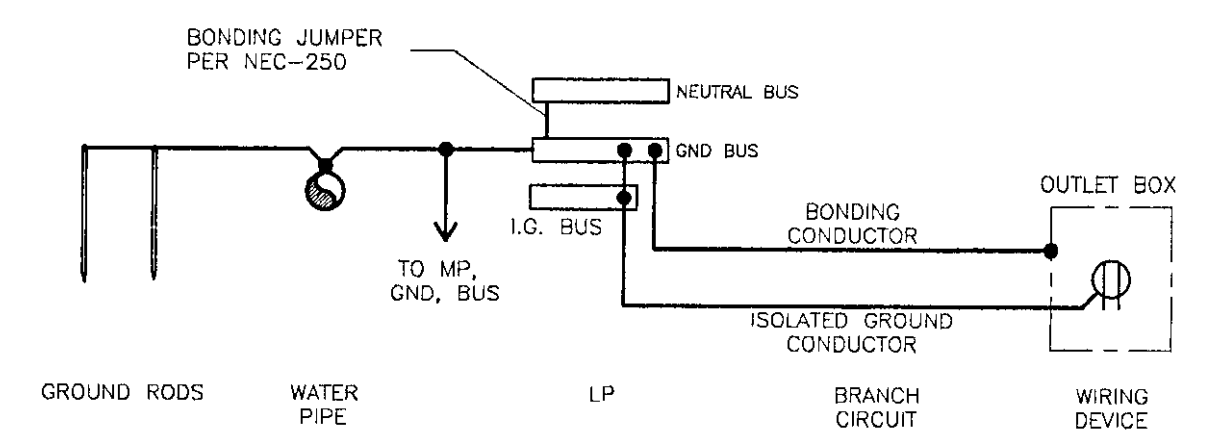


ATTENDANCE COUNTER RISER DIAGRAM
NO SCALE



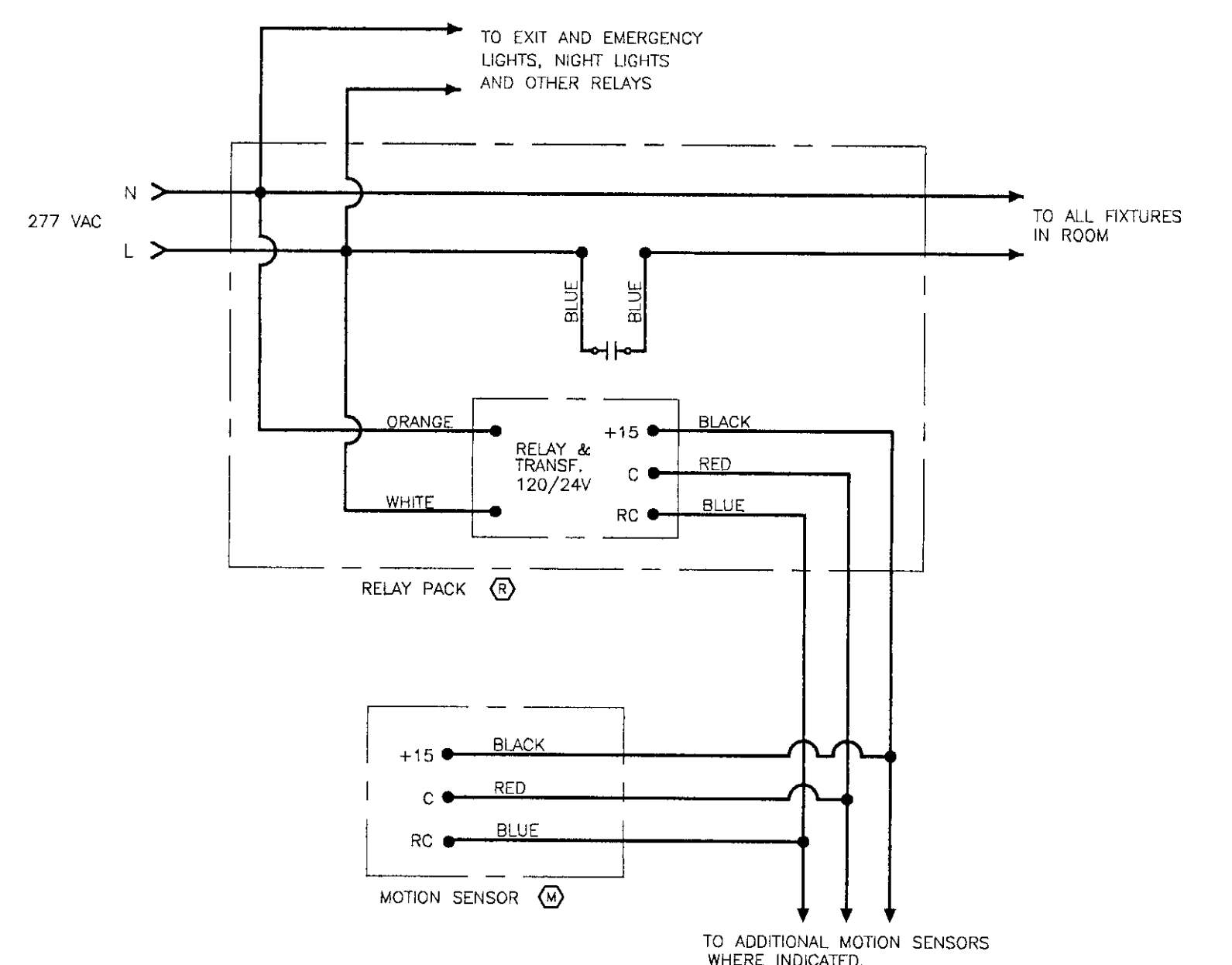
FIRE ALARM SYSTEM RISER DIAGRAM
NOT TO SCALE

NOTE:
1. REFER TO FLOOR PLANS FOR QUANTITY AND LOCATION OF DEVICES.



ISOLATED GROUND WIRING DETAIL
NOT TO SCALE

NOTE:
1. REFER TO ONE LINE DIAGRAM AND PANEL SCHEDULE FOR CONDUCTOR SIZES.



MOTION SENSOR WIRING DIAGRAM
NOT TO SCALE

NOTES:
1. BONDING CONDUCTOR NOT SHOWN.

GENERAL NOTE:
COORDINATE EXACT LIGHTING FIXTURE PLACEMENT WITH MECHANICAL WORK PRIOR TO ROUGH-IN IN UTILITY SPACES. (I.E.: ATTIC AND BASEMENT)

N·B·F
Nimtz • Berryhill • Figiel
ARCHITECTS P.C.
24 1/2 Center Street
Rutland, Vermont
0 5 7 0 1

Steven J. Banik, P.E.
STRUCTURAL ENGINEER
Cuttingsville, Vermont
0 5 7 3 8

LANE ASSOCIATES
CONSULTING ENGINEERS, P.C.
Rutland, Vermont
0 5 7 0 1

THE STATE OF VERMONT
CHARLES F. LANE
No. 4100
PROFESSIONAL ENGINEER
Charles F. Lane

DUBOIS & KING
Engineering • Planning
Development • Management
Rutland, Vermont
0 5 7 0 1

Southbound I-91
Hartford
Travel and Information Center
Hartford, Vermont

BASEMENT & ATTIC
ELECTRICAL PLANS
AND DETAILS

10/31/00
Date
CLIENT REVIEW
Issued For

Project: Hartford
Project Number: 0029
E3
Sheet # 26 Of 28