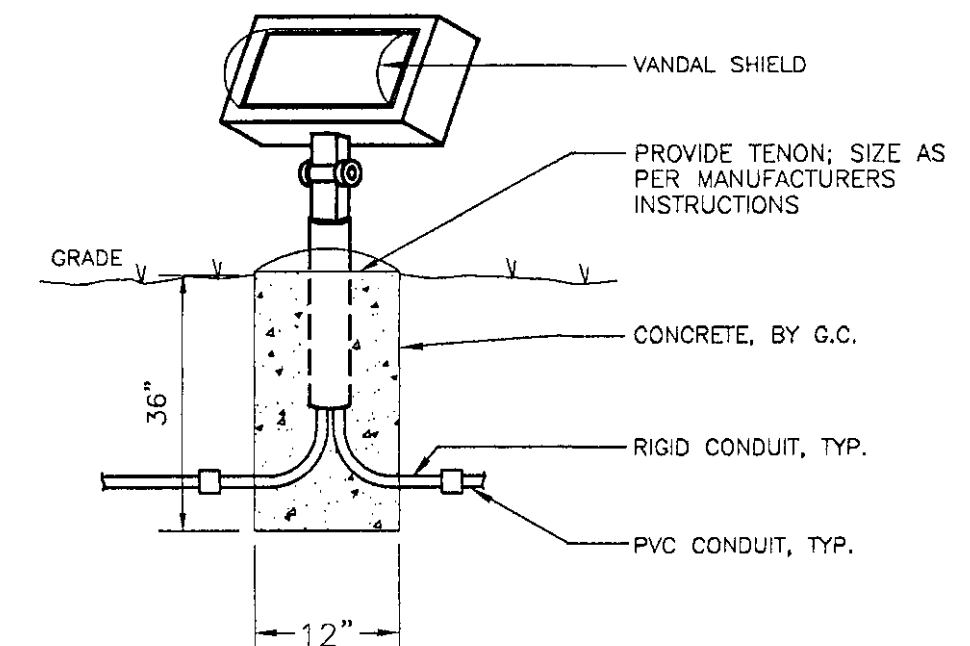


TYPE	MANUFACTURER	STYLE	CATALOG #	FINISH	DIFFUSER	MOUNTING	LAMPS	REMARKS
A	METALUX	STAGGERED STRIP	SL232120DB	WHITE	NONE	ON BEAM	(2) 32W T-8	1, 2
B	METALUX	VANDAL RESISTANT TROFFER	VF232324TF140120EB81	WHITE	ACRYLIC	CLG-REC	(2) 32W T-8	7, 11
B1	METALUX	VANDAL RESISTANT TROFFER	VF232324TF140120DB	WHITE	ACRYLIC	CLG-REC	(2) 32W T-8(6"U)	2, 11
C	HALO	DOWNLIGHT	H800DB-810BA	WHITE	BLACK BAFFLE	CLG-REC	(2) 18W COMPACT FLUOR	2
D	METALUX	OPEN STRIP	SS232HRS120VEB81	WHITE	NONE	CLG-REC	(2) 32W T-8	
F	FAIL-SAFE	LINEAR FLUORESCENT	FSRCP64A120	WHITE	POLYCARBONATE	WALL @ 8'-0"	(2) 32W T-8	12
G	VISA	SCHOOLHOUSE	CP30BR-1H70-PB-OA 96"-SBC	POLISHED BRASS	GLASS GLOBE	PENDANT OVERALL 96"	(1) 70W MH	6
H	HUBBELL	GLOBE/GUARD	NV150HG	GREY	GLASS GLOBE	AS INDICATED	(1) 100W A19	
K	HUBBELL	GLOBE/GUARD	NVQB180HG	GREY	GLASS GLOBE	AS INDICATED	(1) 18W COMPACT FLUOR	
L	HALO	DOWNLIGHT	M700-7305-1773	WHITE	FRESNEL GLASS	CLG-REC	(1) 70W MH	8, 14
M	ARCH. AREA LIGHTING	PERIOD PENDANT	PRMD-VS-70MH120-BLK	BLACK	ACRYLIC	PENDANT	(1) 70W MH	4, 14
N	HALO	TRACK FIXTURE	L1730	WHITE	NONE	TRACK	(1) 50W PAR30 NFL	10
P	ARCH. AREA LIGHTING	PERIOD POLE	PRMDV570MH240-TRABDB54R17125	BLACK	ACRYLIC	POLE @ 17'	(1) 150W HPS	9, 13, 14
Q	SPaulding	CAMBRIDGE	CEI-PW-5400-III-240-SF-SBG	BLACK	TEMPERED GLASS	POLE @ 40'	(1) 400W HPS	5, 9, 14
R	McGraw-Edison	GROUND MOUNT FLOOD LIGHT	FLA12211FA15	BLACK	TEMPERED GLASS VANDAL SHIELD	SEE DETAIL	(1) 100W HPS	14
S	HALO	ADJUSTABLE ACCENT	M700T-790-1720W	WHITE	BLACK BAFFLE	CLG-REC	(1) 35W MH	11, 14
⊗	FAIL-SAFE	EXIT	X6DW5RW-DJALEBPTWT	WHITE	RED LETTERS	WALL @ 96" OR CLG AS NOTED	LED; PROVIDED WITH FIXTURE	
⊕	SURELITES	EMERGENCY	CU-1-HP-PCL	WHITE	POLYCARB.	WALL @ 96" U.O.N.	PROVIDED WITH FIXTURE	
≡LT≡	HALO	LIGHT TRACK	L650 SERIES	WHITE	NONE	CENTER ON BEAM	NONE	3
⊕	SURELITES	REMOTE HEAD	CU-1-R-PCL	WHITE	POLYCARB.	WALL @ 96" U.O.N.	PROVIDED WITH FIXTURE	
⊕	SURELITES	WEATHER PROOF REMOTE HEAD	GT-B-8-DWGY-WG7	WHITE	WIRE GUARD	WALL @ 108" U.O.N.	PROVIDED WITH FIXTURE	

**REMARKS:**

- FIXTURE SHALL BE MOUNTED ON TOP OF BEAM AS INDICATED ON PLAN AND ARCHITECT'S DETAILS.
- DIMMABLE ELECTRONIC BALLASTS, REFER TO SPECIFICATIONS
- PROVIDE ACCESSORIES (FEEDS, CONNECTORS, ETC.) AS NECESSARY TO MAKE A COMPLETE, FINISHED ASSEMBLY.
- FIXTURE SHALL BE PENDANT MOUNTED. PROVIDE 4' SOLID PENDANT WITH SWIVEL TYPE BASE FOR MOUNTING ON SLOPED SURFACE.
- PROVIDE MATCHING SPAULDING 40-505-625-SGL SQUARE STEEL POLE PROVIDE ANCHOR BOLTS, TOP CAP, HAND HOLE WITH COVER AND BASE COVERS WITH EACH.
- WITH SURFACE MOUNT BALLAST CANOPY.
- FIXTURE SHALL BE 1'x4' TO ALLOW MOUNTING BETWEEN BOTTOM WEB OF TRUSSES.
- MOUNT FIXTURE 18" TO CENTERLINE FROM EXTERIOR WALL.
- PROVIDE INDIVIDUAL FUSING AT EACH FIXTURE.
- PROVIDE 36 FIXTURES, MOUNT ON TRACK AND AIM AS DIRECTED BY OWNER.
- PROVIDE WHITE PAINTED STEEL TRIM KIT FOR MOUNTING IN DRY WALL CEILING.
- FURNISH TWO (2) TORX HEAD SCREW DRIVERS. DELIVER TO OWNER.
- PROVIDE IES TYPE I, III OR FT DISTRIBUTION AS INDICATED SUBSTITUTE TYPE DESIGNATION FOR "XX" IN CATALOG NUMBER
- PROVIDE BALLAST FOR -20' F STARTING

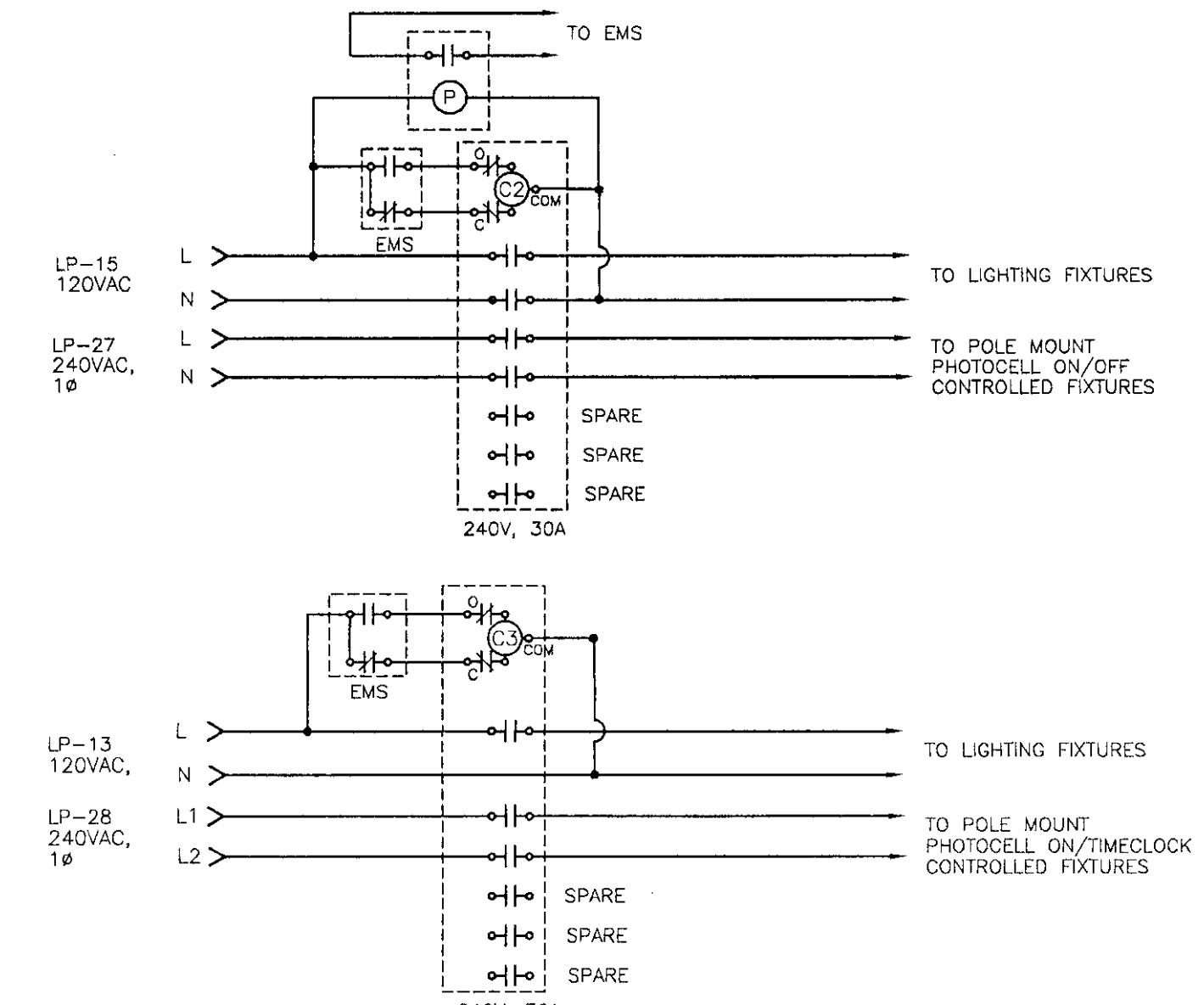


**TYPICAL 'R' FIXTURE MOUNTING DETAIL**  
NOT TO SCALE

- NOTE:
- GALVANIZED RIGID STEEL CONDUIT CONTINUES 24" PAST END OF SWEEPS. SCHED. 40 PVC DB FOR STRAIGHT RUNS.
  - LIGHT POLE GROUND NOT SHOWN; #8 AWG WITH GROUND ROD.
  - BASE REINFORCING: 6 x 6/6 WWF CAGE, 8" DIA.
  - PROVIDE CONCRETE ENCASEMENT OF CONDUIT BELOW ROADWAYS.

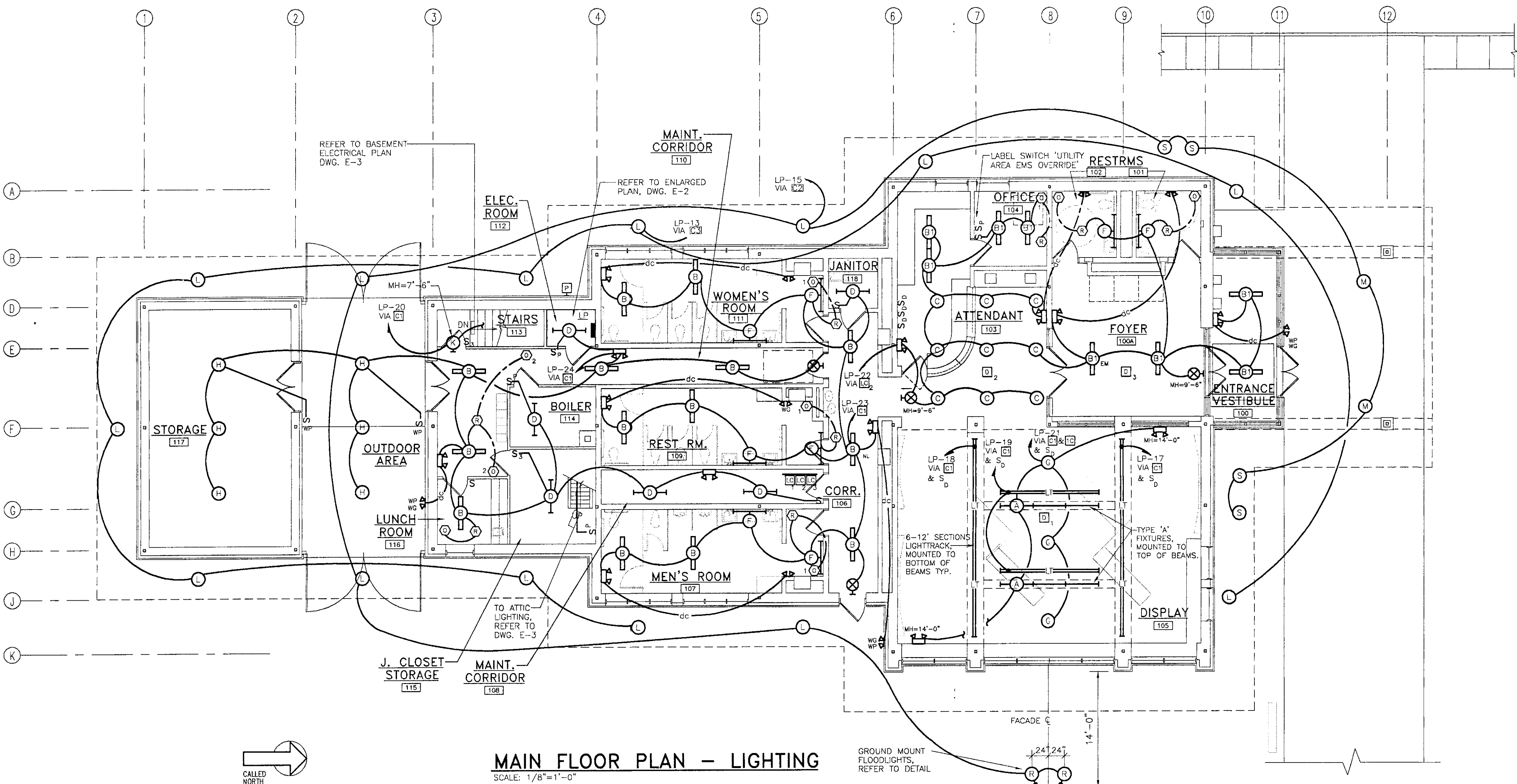
**CONTACTOR SCHEDULE**

CONTACTOR	CONTROL	POLES	AMPS	HOLD TYPE	COMMENTS
C1	INTERIOR LIGHTING	10	20	MECH.	
C2	EXTERIOR LIGHTING	6	20	MECH.	PHOTOCELL ON/OFF
C3	EXTERIOR LIGHTING	6	20	MECH.	PHOTOCELL ON TIME OFF

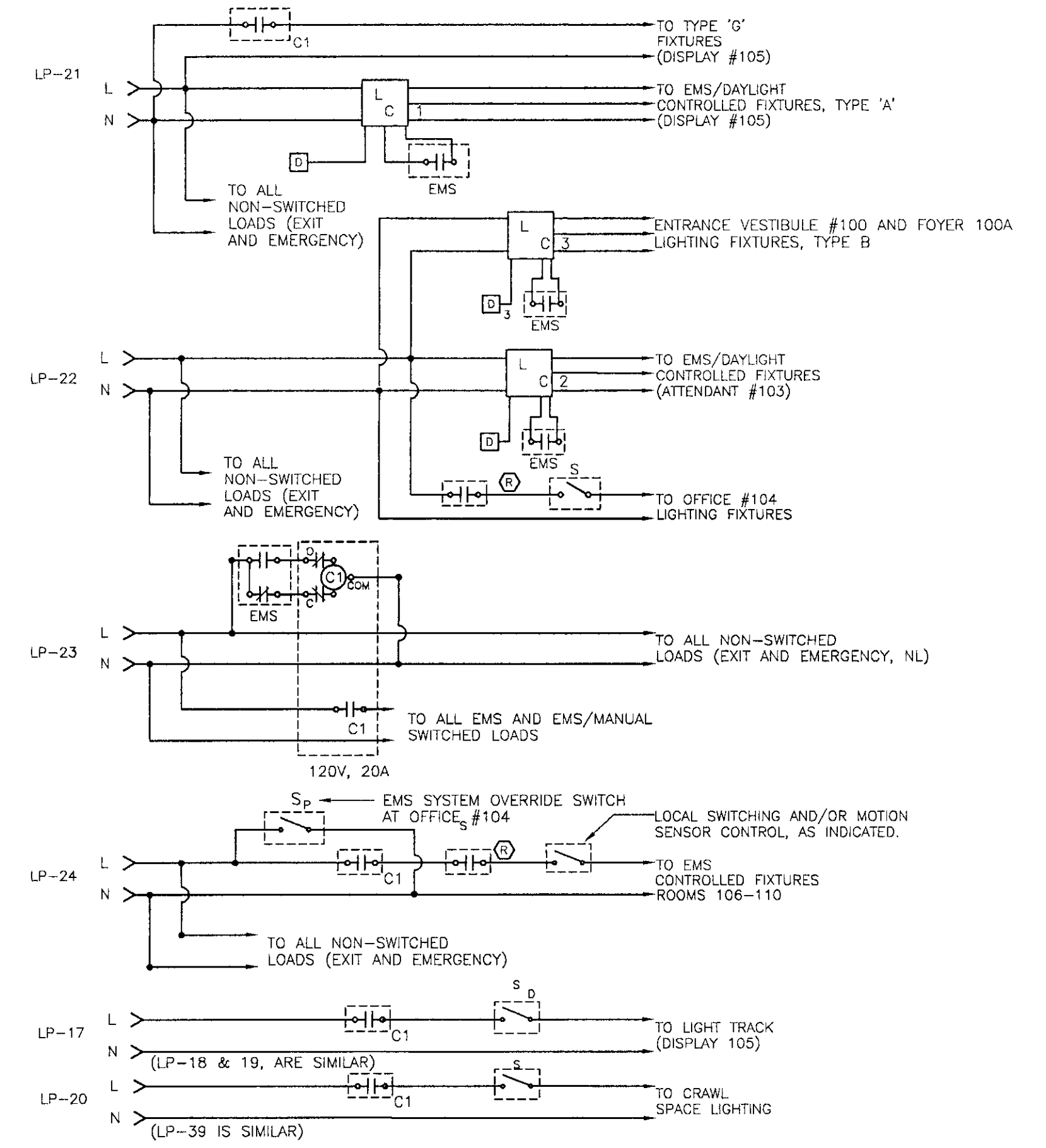


**EXTERIOR LIGHTING CONTROL WIRING DIAGRAM**  
NOT TO SCALE

- NOTES
- BONDING CONDUCTOR IS NOT SHOWN.



**MAIN FLOOR PLAN - LIGHTING**  
SCALE: 1/8"=1'-0"



**INTERIOR LIGHTING CONTROL WIRING DIAGRAM**  
NOT TO SCALE

- NOTES
- BONDING CONDUCTOR IS NOT SHOWN.
  - REFER TO PLANS FOR EXACT QUANTITIES OF DEVICES AND BRANCHES.

<b>N·B·F</b> Nimtz • Berryhill • Figiel ARCHITECTS P.C. 24 1/2 Center Street Rutland, Vermont 0 5 7 0 1	Steven J. Banik, P.E. STRUCTURAL ENGINEER Cuttingsville, Vermont 0 5 7 3 8	<b>LANE ASSOCIATES</b> CONSULTING ENGINEERS, P.C. Rutland, Vermont 0 5 7 0 1	 Charles F. Lane	<b>DuBois &amp; King</b> •Engineering •Planning •Development •Management Rutland, Vermont 0 5 7 0 1	Southbound I-91 <b>Hartford</b> Travel and Information Center Hartford, Vermont	<b>LIGHTING PLAN</b> MAIN FLOOR	Project: <b>Hartford</b> Project Number: <b>0029</b> <b>E1</b> Sheet # <b>24</b> Of <b>28</b>