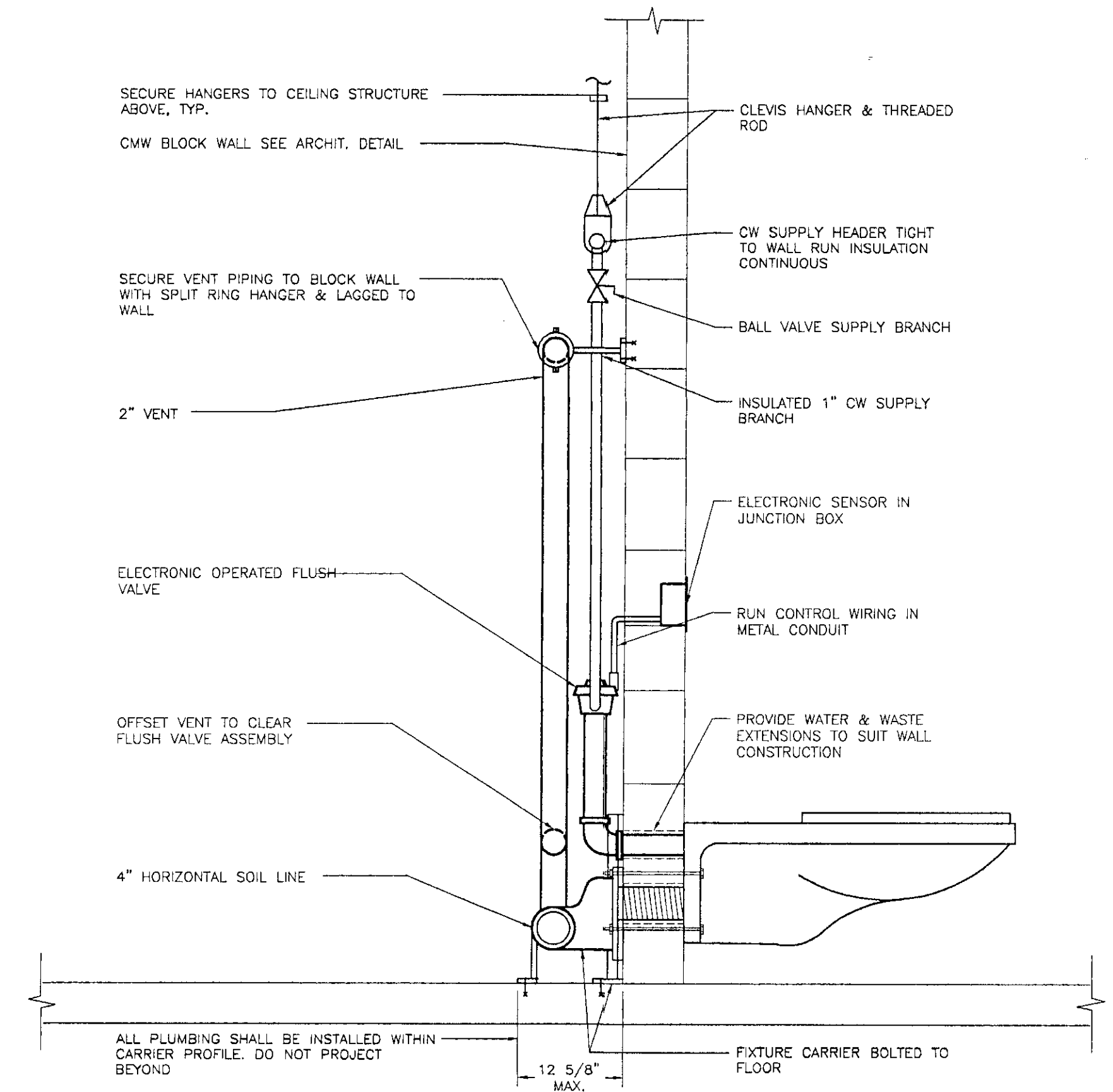
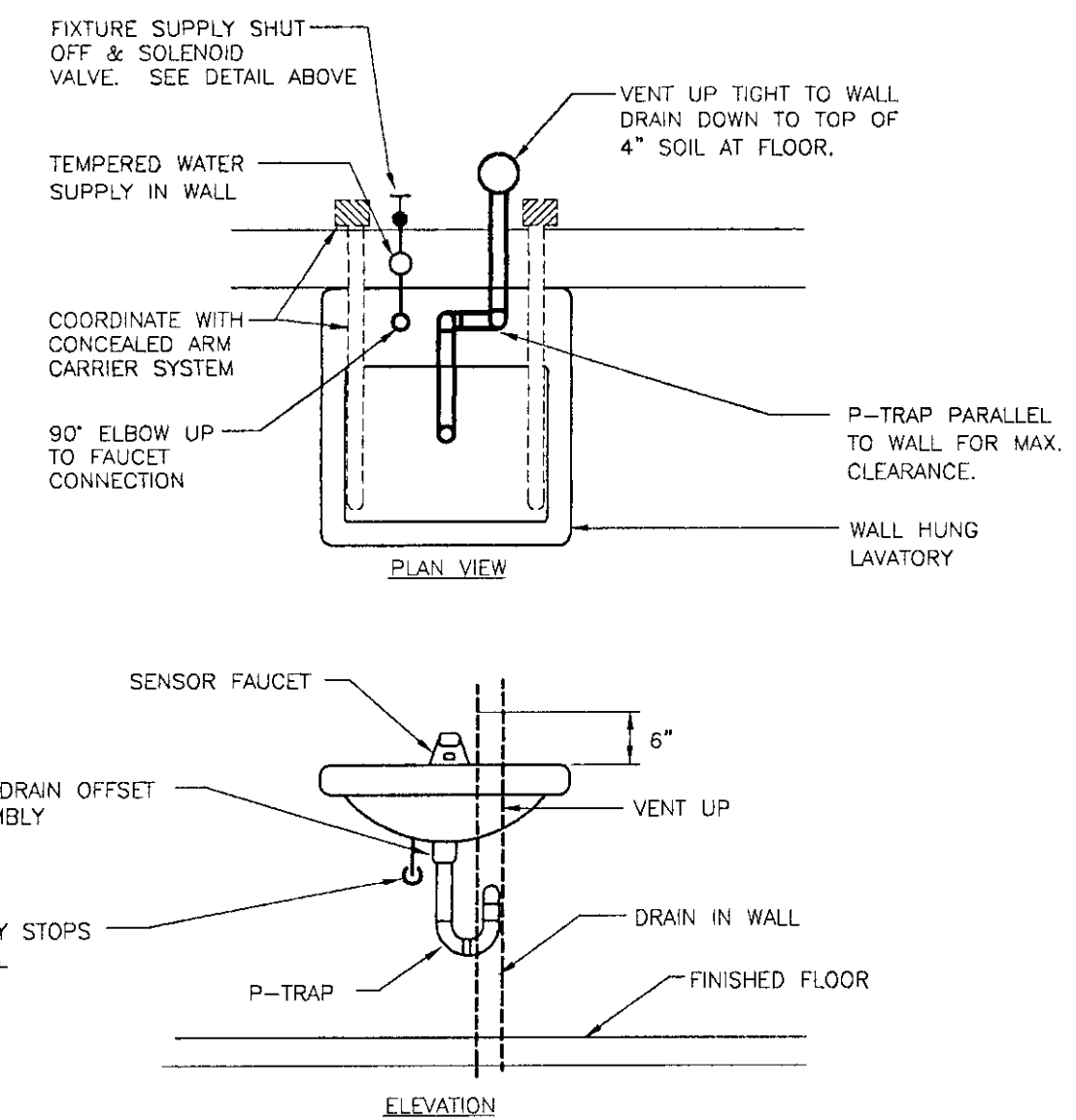


REST ROOM SECTION - PLUMBING
SCALE: 1/2" = 1'-0"

- NOTE:
- 1) FOLLOW MANUFACTURERS INSTALLATION INSTRUCTIONS FOR EXACT F.V. SENSOR INSTALLATION.
 - 2) DETAIL IS DIAGRAMMATIC & INTENDED FOR COORDINATION. FOLLOW MANUFACTURERS INSTALLATION INSTRUCTIONS FOR MOUNTING HEIGHTS & ANCHORING REQUIREMENTS.
 - 3) PIPE INSULATION NOT SHOWN FOR CLARITY. SEE SPECIFICATIONS FOR INSULATION REQUIREMENTS.
 - 4) ARRANGEMENT SIMILAR FOR EACH TOILET ROOM. ROOMS WITH URINALS VARY SLIGHTLY.
 - 5) ALL FIXTURES & SPECIALTIES SHALL BE INSTALLED FOR EASY ACCESSIBILITY & SHALL MAINTAIN A LOW PROFILE. SEE SECTION 'B' THIS SHEET.

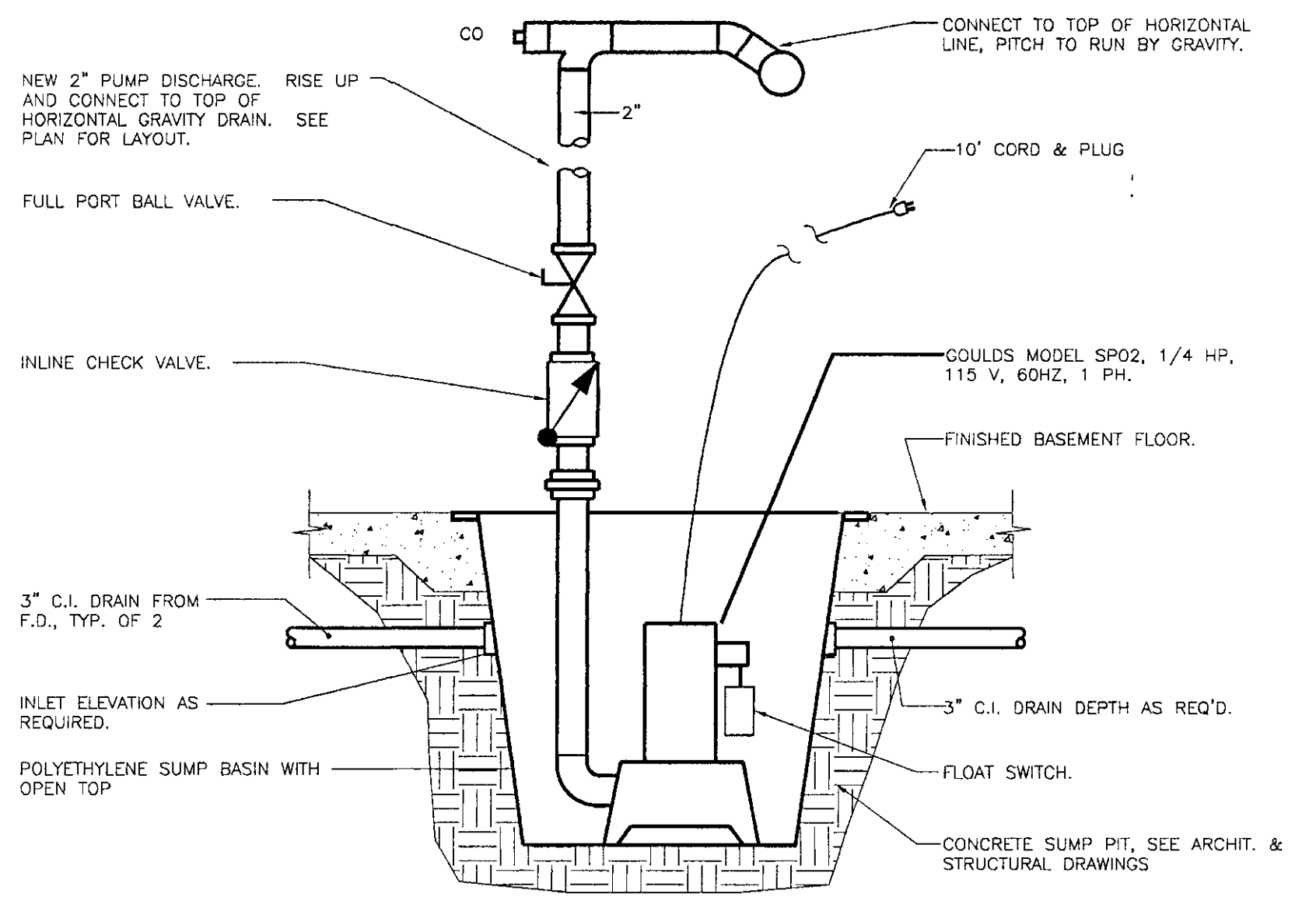


TOILET CARRIER DETAIL
SCALE: 1" = 1'-0"

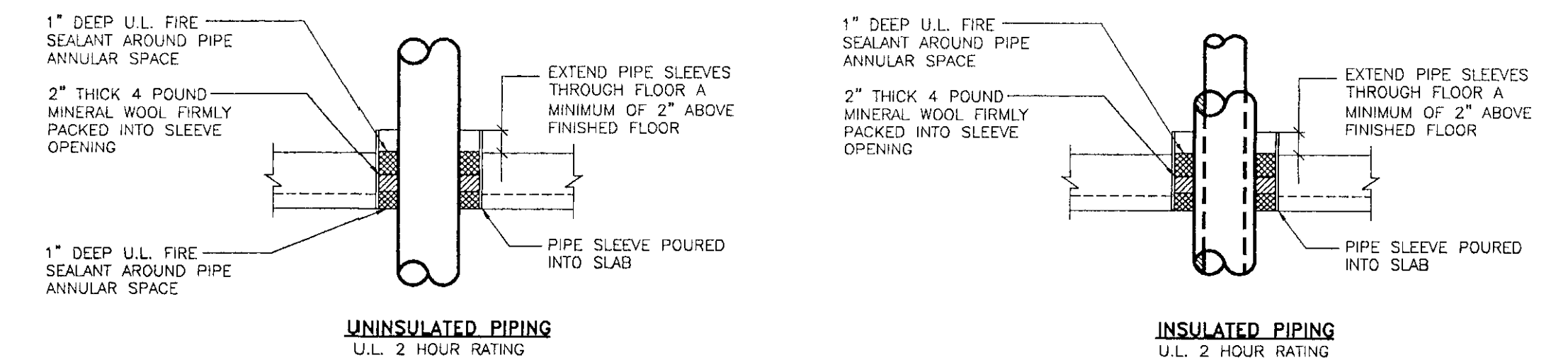


LAVATORY PIPING DETAIL
N.T.S.

NOTES: ALL P-TRAPS ON LAVATORIES SHALL BE INSTALLED AS SHOWN
INSTALL SENSOR FAUCET, SENSOR, TRANSFORMER AND SOLENOID VALVE PER MANUFACTURER. COORDINATE TRANSFORMER INSTALLATION AND ALL ELECTRICAL REQUIREMENTS WITH ELECTRICAL CONTRACTOR.

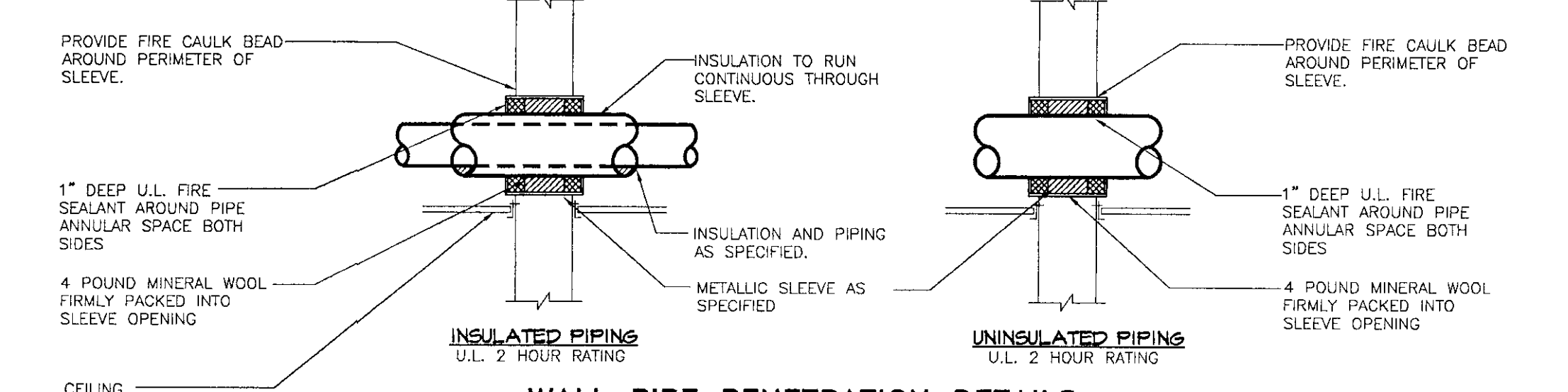


SUMP PUMP PIPING DETAIL
NOT TO SCALE



FLOOR PIPE PENETRATION DETAILS
NOT TO SCALE

- NOTE:
- 1) FOLLOW FIRE SEALANT MANUFACTURERS WRITTEN INSTALLATION INSTRUCTIONS IN CONJUNCTION WITH REQUIREMENTS AS DETAILED.
 - 2) ALL FLOOR PIPE PENETRATIONS SHALL BE INSTALLED PER THIS DETAIL.



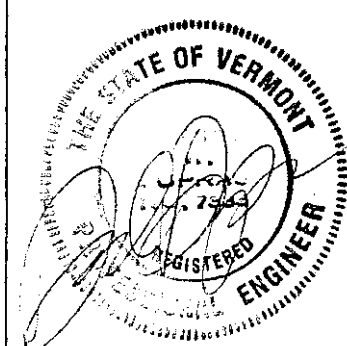
WALL PIPE PENETRATION DETAILS
NOT TO SCALE

- NOTE:
- 1) FOLLOW FIRE SEALANT MANUFACTURERS WRITTEN INSTALLATION INSTRUCTIONS IN CONJUNCTION WITH REQUIREMENTS AS DETAILED.
 - 2) ALL WALL PIPE PENETRATIONS SHALL BE INSTALLED PER THIS DETAIL.

N·B·F
Nimt • Berryhill • Figiel
ARCHITECTS P.C.
24 1/2 Center Street
Rutland, Vermont
0 5 7 0 1

Steven J. Banik, P.E.
STRUCTURAL ENGINEER
Cuttingsville, Vermont
0 5 7 3 8

LANE ASSOCIATES
CONSULTING ENGINEERS, P.C.
Rutland, Vermont
0 5 7 0 1



DuBois & King
•Engineering •Planning
•Development •Management
Rutland, Vermont
0 5 7 0 1

Southbound I-91
Hartford
Travel and Information Center
Hartford, Vermont

PLUMBING PLANS
AND DETAILS

Project: Hartford
Project Number: 0029

P3

Sheet # 23 Of 28

Job Name: _____ Date: 10/31/00 CLIENT REVIEW Issued For: _____