

BASEMENT FLOOR PLAN - WATER PIPING

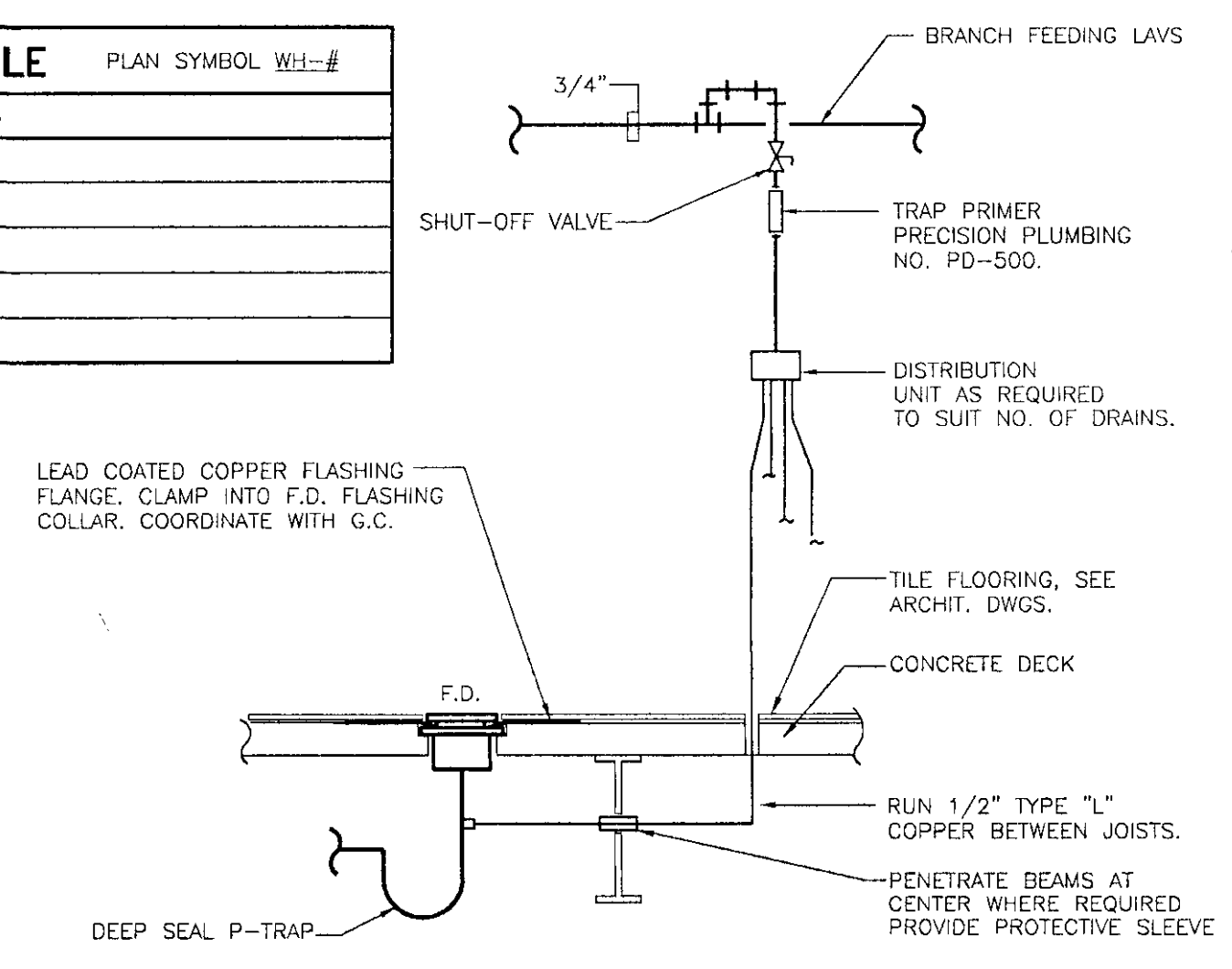
SCALE: 1/8"=1'-0"

PLUMBING FIXTURE CONNECTION SCHEDULE								PLAN SYMBOL	P-#
P-1	WATER CLOSET	3"	-	2"	1"	-	INTEGRAL	FLUSH VALVE	
P-2	LAVATORY	-	2"	2"	1/2"	1/2"	1 1/4"x 1 1/2" P	WALL HUNG	
P-3	URINAL	-	2"	2"	3/4"	-	INTEGRAL	WALL HUNG H.C. MOUNT	
P-3A	URINAL	-	2"	2"	3/4"	-	INTEGRAL	WALL HUNG STANDARD	
P-4	LUNCH ROOM SINK	-	1 1/2"	1 1/2"	1/2"	1/2"	1 1/2" P-TRAP		
P-5	MOP SINK	-	3"	2"	1/2"	1/2"	3" P-TRAP		
P-6	DRINKING FOUNTAIN	-	1 1/2"	1 1/2"	1/2"	-	1 1/4" P-TRAP		
P-7	HOSE BIBB	-	-	-	3/4"	3/4"	-	WALL MOUNTED	

WATER HAMMER ARRESTOR SCHEDULE					PLAN SYMBOL	WH-#
WH-1	ZURN	Z-1700	#300			
WH-2	ZURN	Z-1700	#100			
WH-3	ZURN	Z-1700	#200			

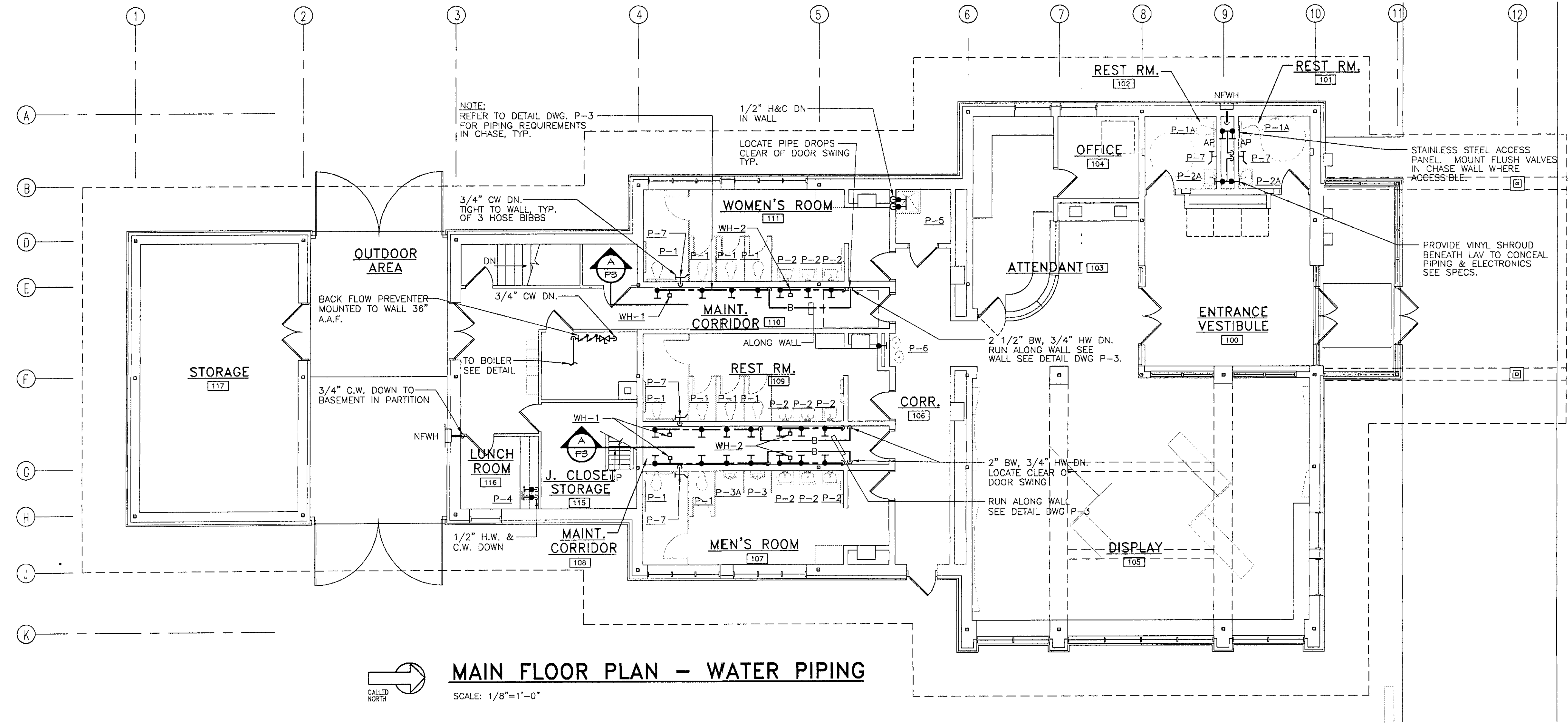
- GENERAL NOTES:**
- REFER TO ARCHITECTURAL & STRUCTURAL DWGS. FOR EXACT FLOOR DRAIN AND PLUMBING FIXTURE LOCATIONS.
 - COORDINATE ALL WORK WITH OTHER TRADES PRIOR TO CONSTRUCTION.
 - PITCH ALL WASTE PIPING AT 1/4" PER FT. PITCH ALL WATER PIPING TO DRAIN TO LOW POINTS.

- PLUMBING LEGEND**
- SANITARY PIPING
 - VENT PIPING
 - COLD WATER PIPING
 - HOT WATER PIPING (105')
 - HOT WATER RETURN PIPING (105')
 - B BLUE WATER PIPING
 - C CONDENSATE PIPING
 - ⊘ BALL VALVE SHUT OFF
 - ⊘ FIXTURE SHUT OFF
 - H.B. HOSE BIBB
 - NFWH NON-FREEZE WALL HYDRANT
 - ↑ PIPE RISER
 - ↓ PIPE DROP
 - F.D. FLOOR DRAIN
 - FCO FLOOR CLEANOUT
 - CO BACK FLOW PREVENTER
 - Z CHECK VALVE
 - TEMPERATURE GAUGE
 - BALANCING VALVE
 - UNION
 - WH WATER HAMMER ARRESTOR
 - M WATER METER



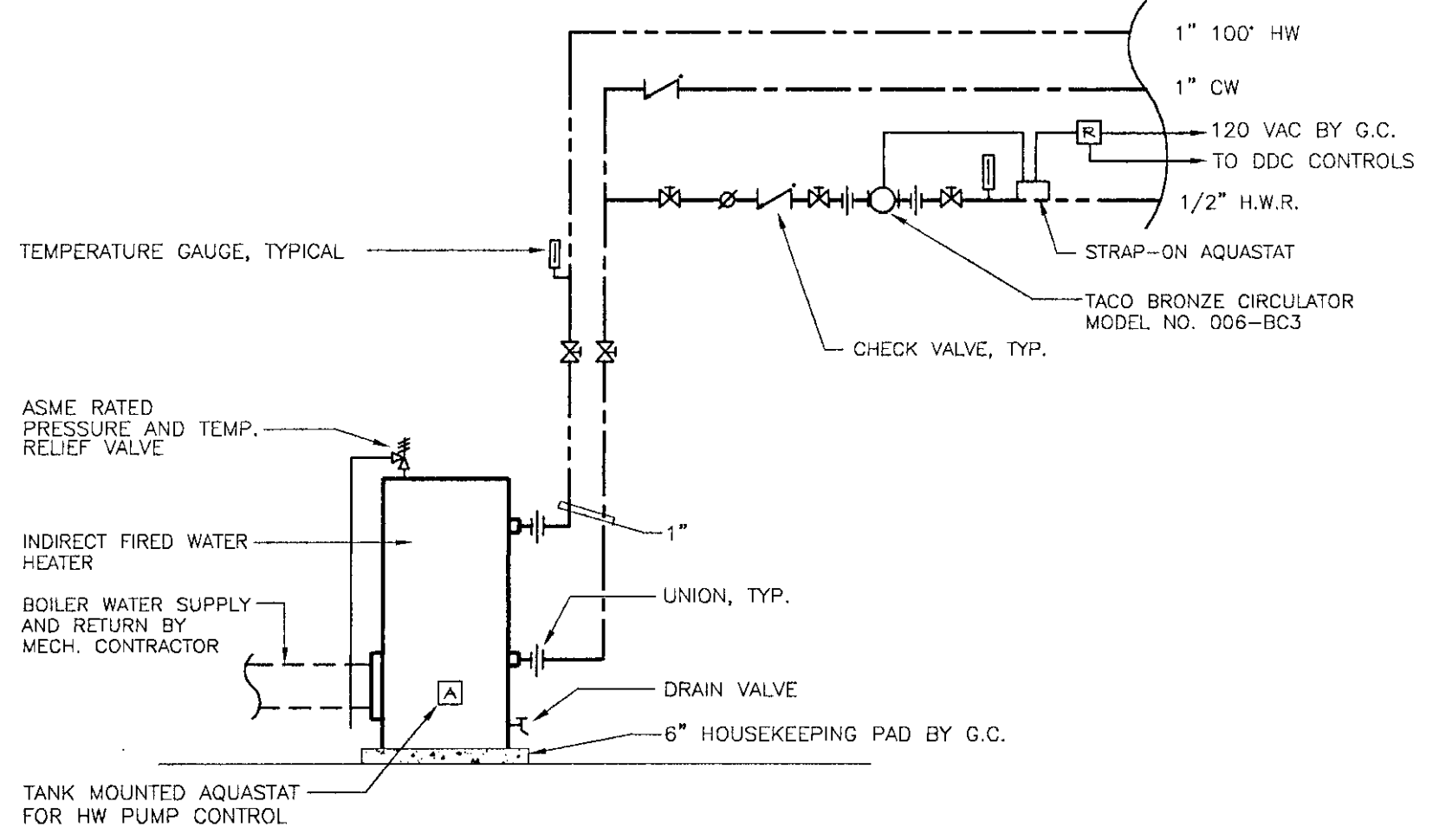
TRAP PRIMER DETAIL

N.T.S.



MAIN FLOOR PLAN - WATER PIPING

SCALE: 1/8"=1'-0"



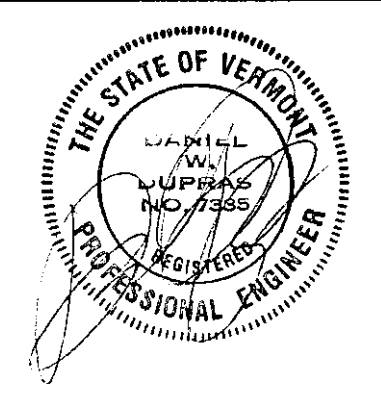
INDIRECT FIRED WATER HEATER DETAIL

N.T.S.

N·B·F
Nimt · Berryhill · Figiel
ARCHITECTS P.C.
24 1/2 Center Street
Rutland, Vermont
0 5 7 0 1

Steven J. Banik, P.E.
STRUCTURAL ENGINEER
Cuttingsville, Vermont
0 5 7 3 8

LANE ASSOCIATES
CONSULTING ENGINEERS, P.C.
Rutland, Vermont
0 5 7 0 1



DuBois & King
Engineering • Planning
Development • Management
Rutland, Vermont
0 5 7 0 1

Southbound I-91
Hartford
Travel and Information Center
Hartford, Vermont

**BASEMENT PLUMBING
PLANS AND DETAILS**

10/31/00
Date CLIENT REVIEW
Issued For

Project: Hartford
Project Number: 0029

P1

Sheet # 21 Of 28