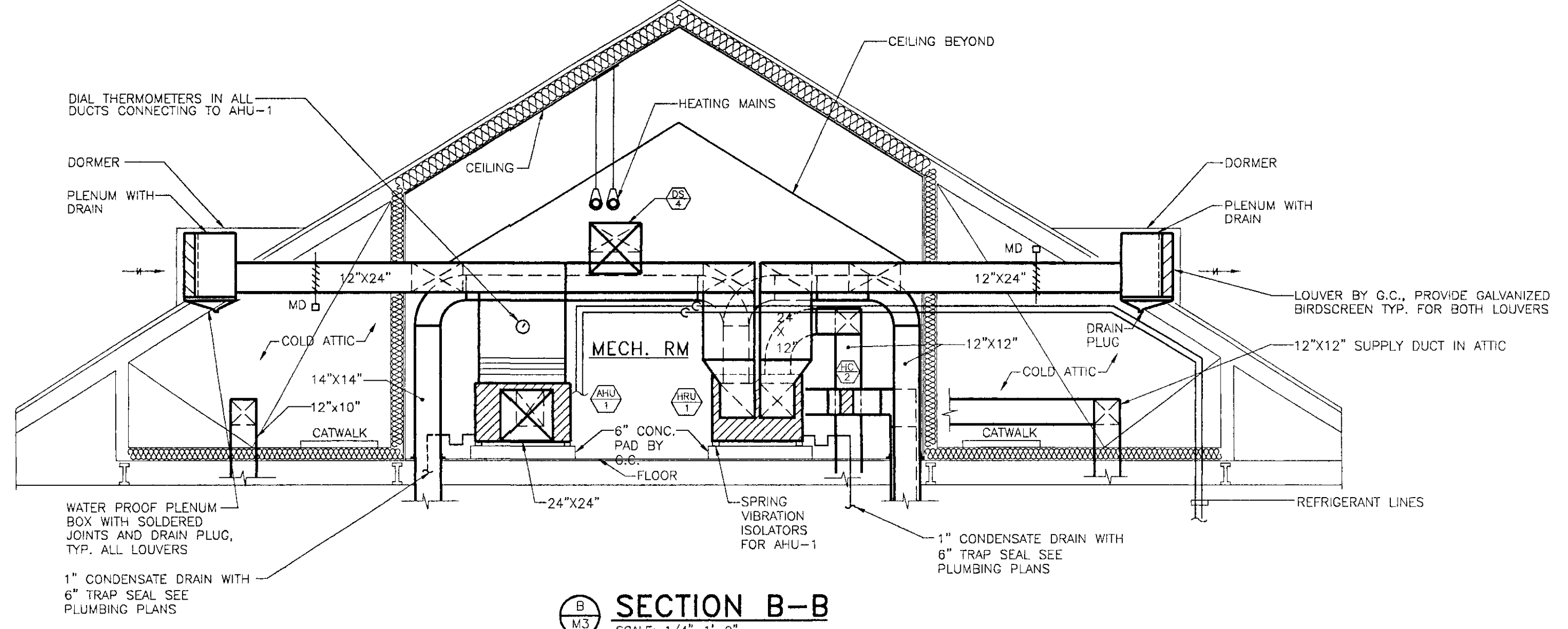
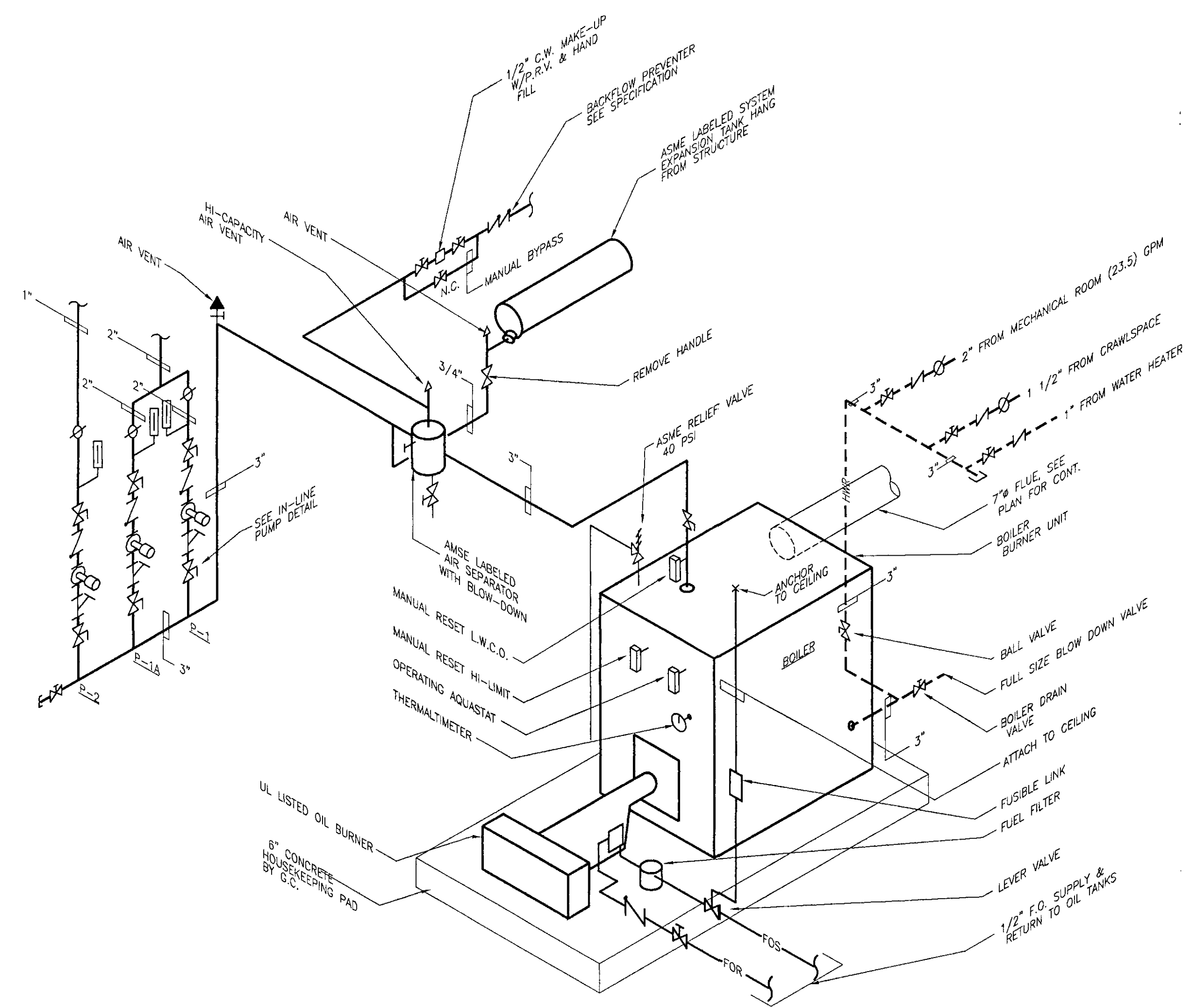


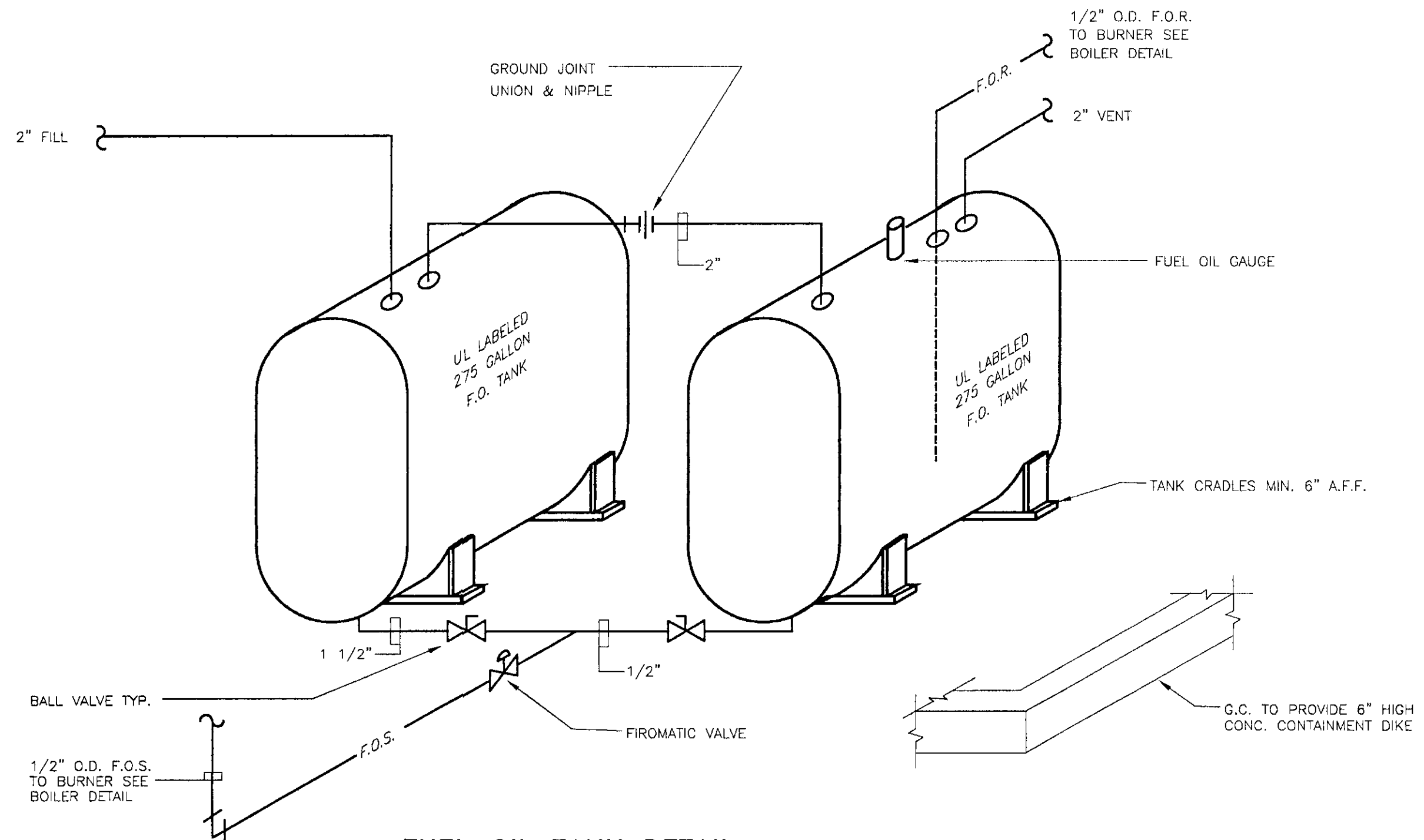
SECTION A-A
SCALE: 1/4"=1'-0"



SECTION B-B
SCALE: 1/4"=1'-0"



BOILER PIPING SCHEMATIC
N.T.S.

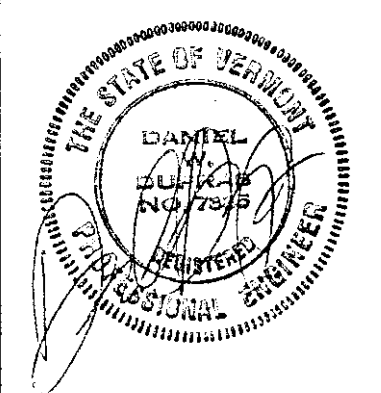


FUEL OIL TANK DETAIL
N.T.S.

N·B·F
Nimtze • Berryhill • Fiegel
ARCHITECTS P.C.
24 1/2 Center Street
Rutland, Vermont
0 5 7 0 1

Steven J. Banik, P.E.
STRUCTURAL ENGINEER
Cuttingsville, Vermont
0 5 7 3 8

LANE ASSOCIATES
CONSULTING ENGINEERS, P.C.
Rutland, Vermont
0 5 7 0 1



DuBois & King
Engineering • Planning
Development • Management
Rutland, Vermont
0 5 7 0 1

Southbound I-91
Hartford
Travel and Information Center
Hartford, Vermont

HVAC SECTIONS
AND DETAILS

10/31/00
Date
CLIENT REVIEW
Issued For

Project: Hartford
Project Number: 0029
M3
Sheet # 18 Of 28