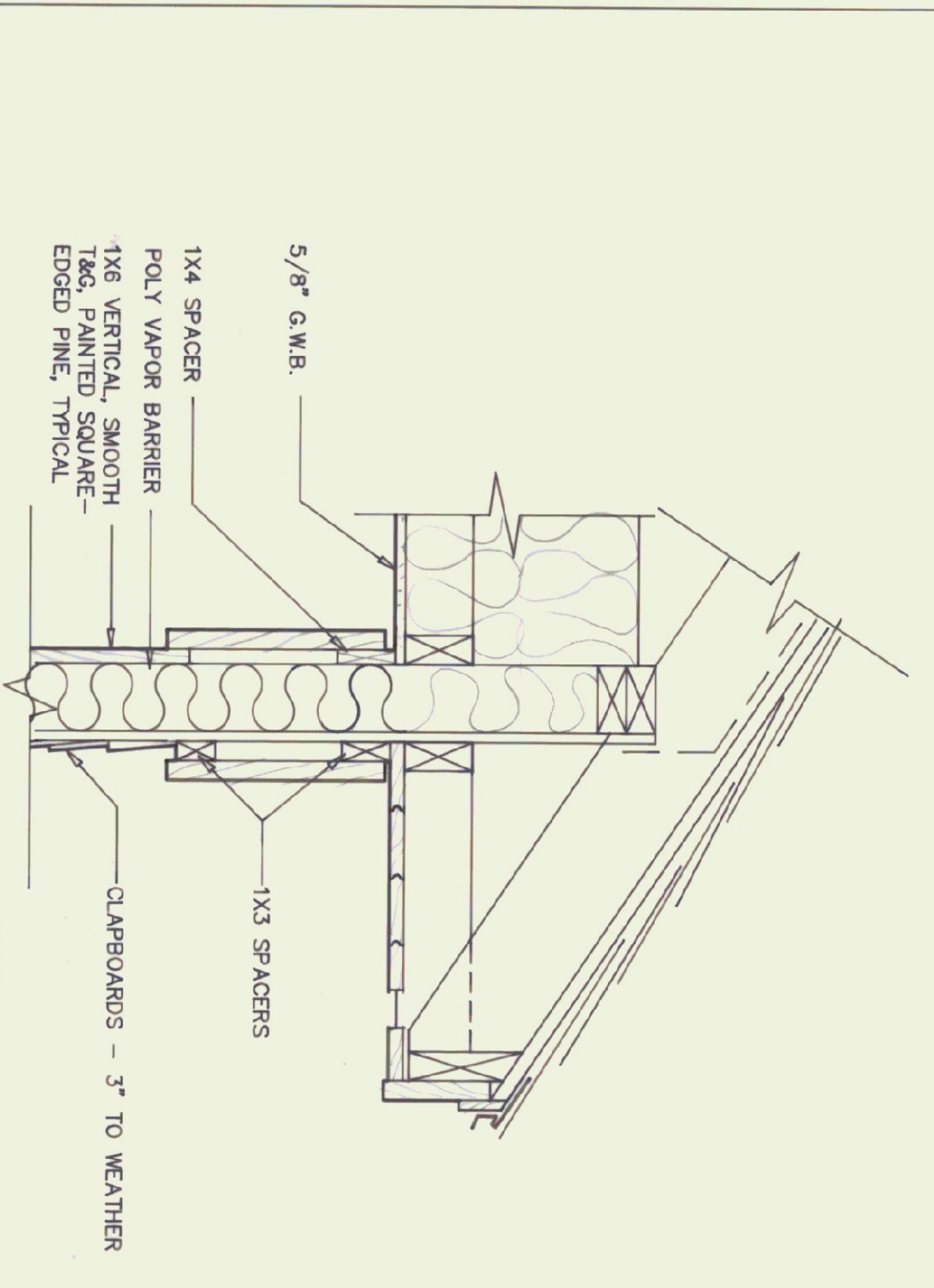
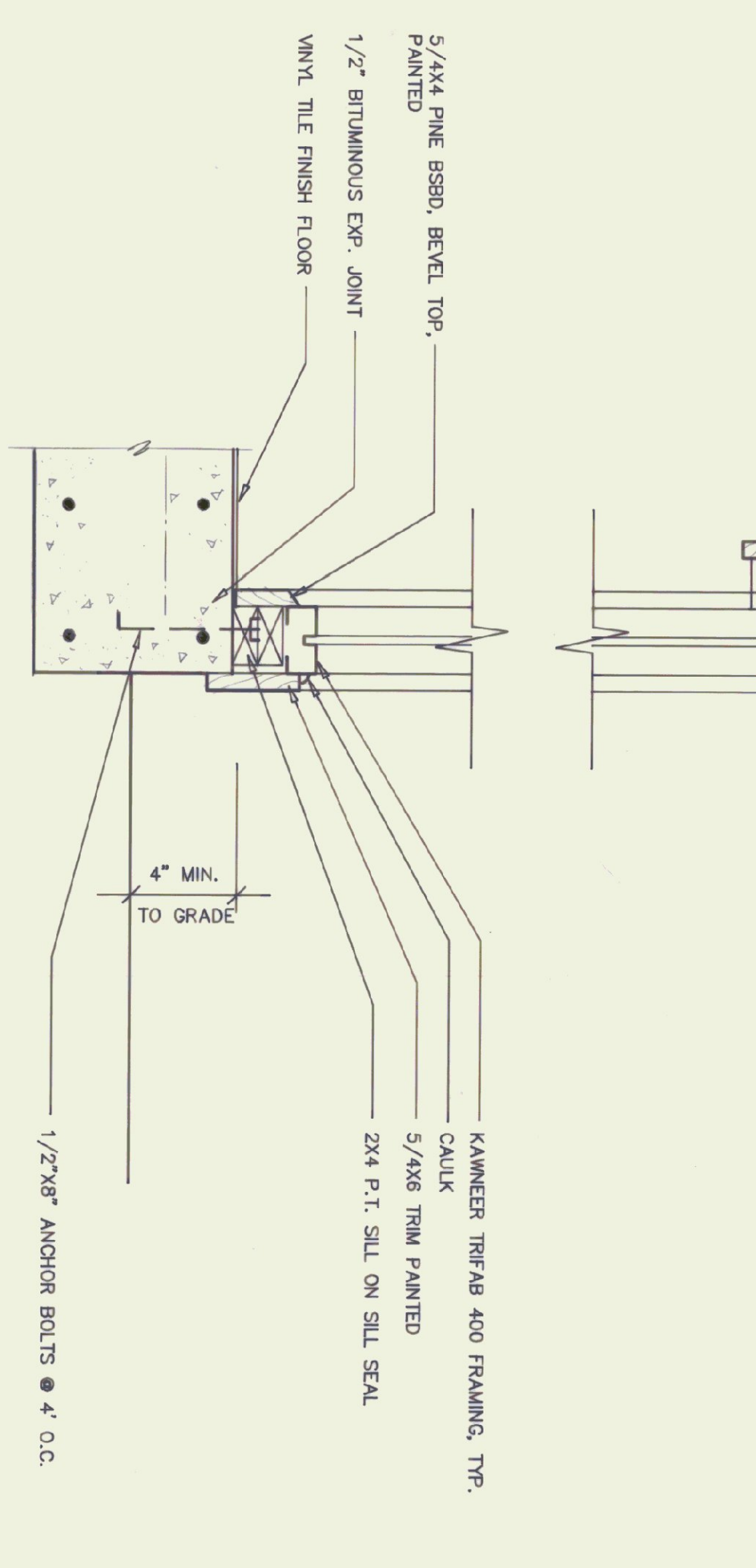
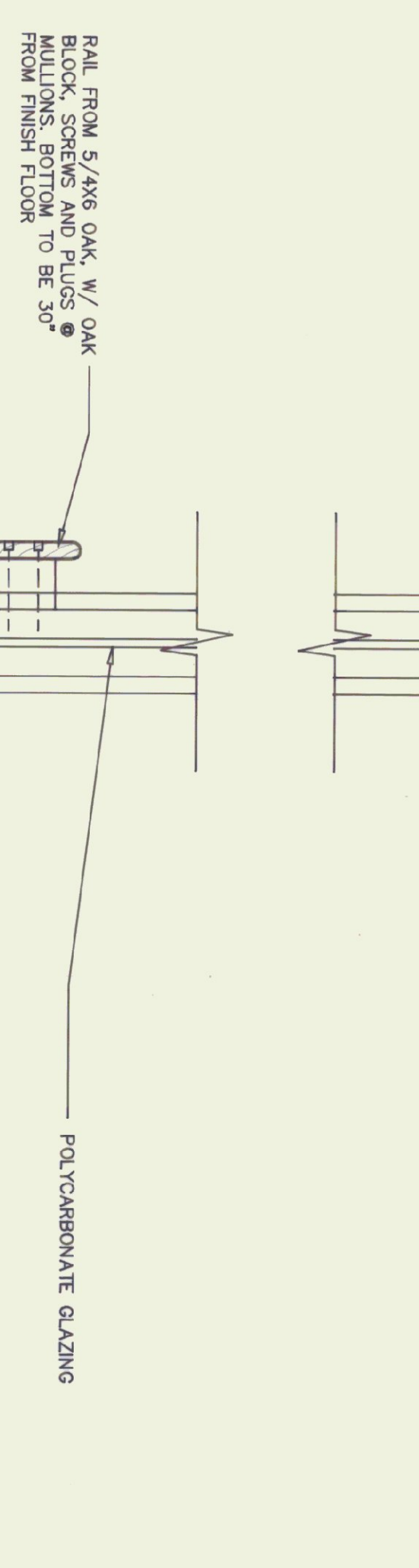
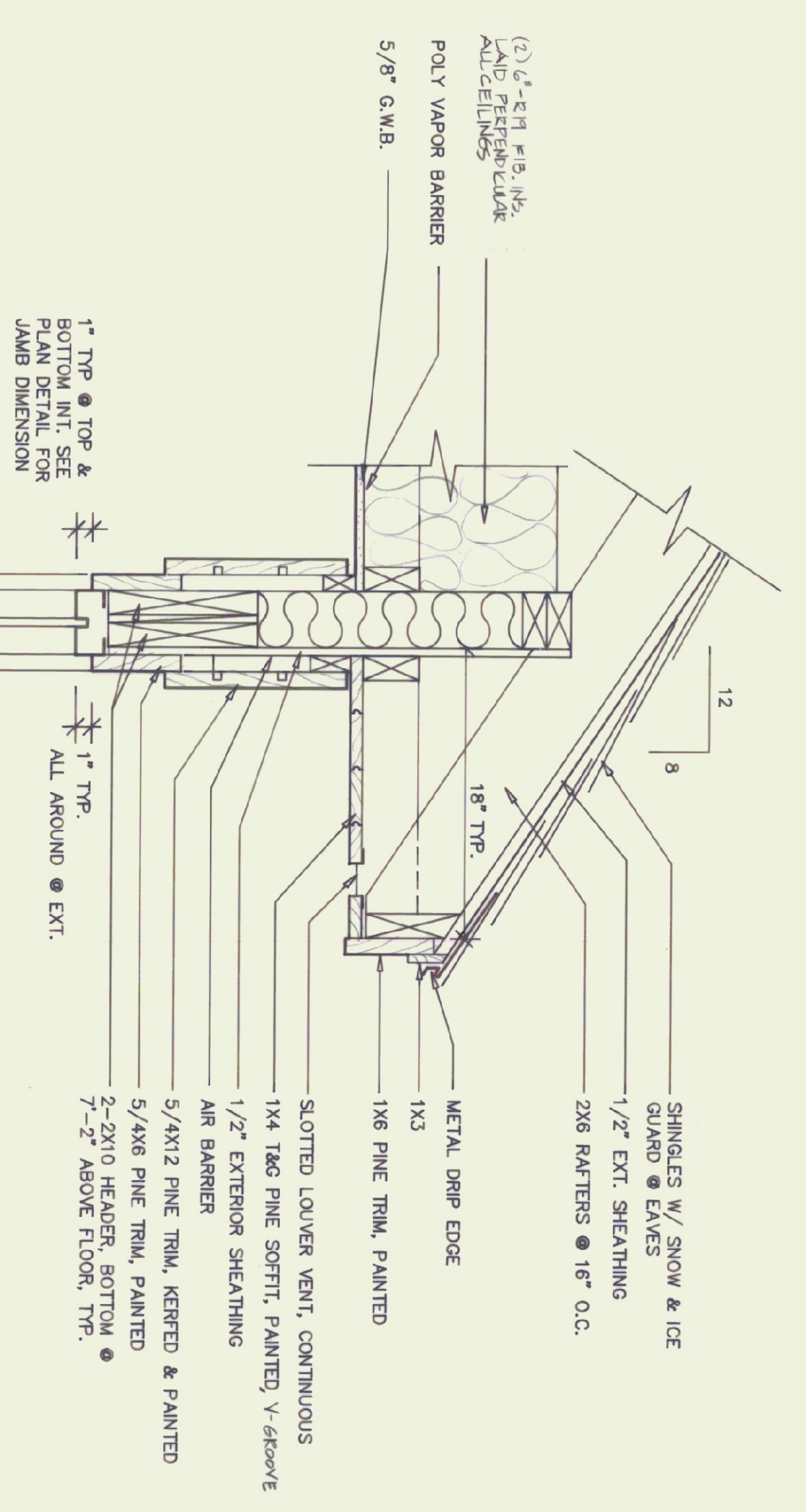


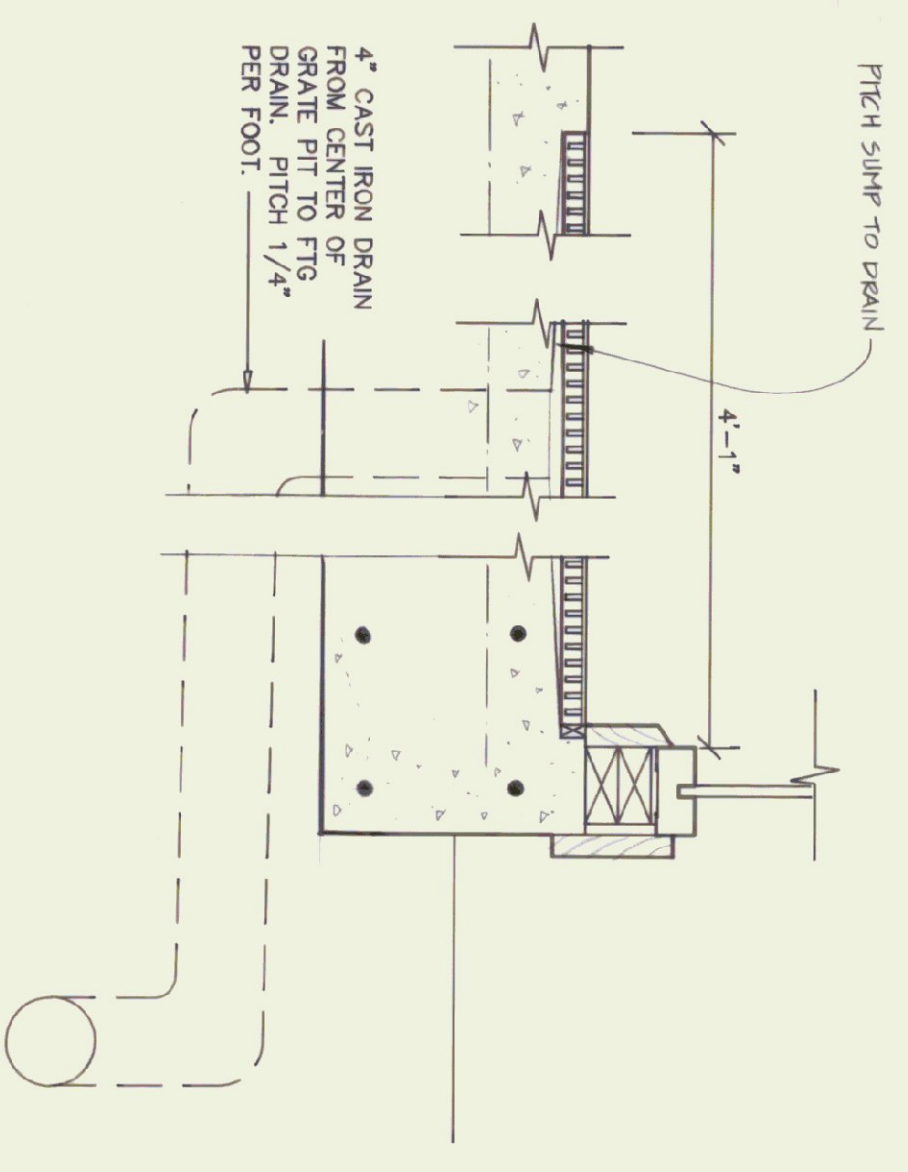
4 EAVE DETAIL @ BACK WALL
SCALE: 1 1/2" = 1'-0"



2 SECTION @ SIDE WALL
SCALE: 1 1/2" = 1'-0"

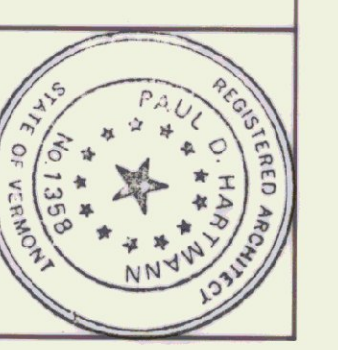


5 SECTION THRU DOOR
SCALE: 1 1/2" = 1'-0"



3 SECTION THRU FLOOR GRATE
SCALE: 1 1/2" = 1'-0"

1 WALL SECTION THRU GLAZING (TYP)
SCALE: 1 1/2" = 1'-0"



HARTMANN ASSOCIATES, PC
ARCHITECTS & ENERGY CONSULTANTS
36 LIBERTY STREET, MONTPELIER, VERMONT 05602
(802) 229-9495

REVIEWS & REVISIONS

6/2/90	QUICK ONE	
	PHILIPSON	

VENDING
OWNER: STATE OF VERMONT
DEPT. OF STATE BUILDINGS
MONTPELIER, VERMONT

DETAILS

DATE: MAY 17/90
BY: PHILIPSON

A-2