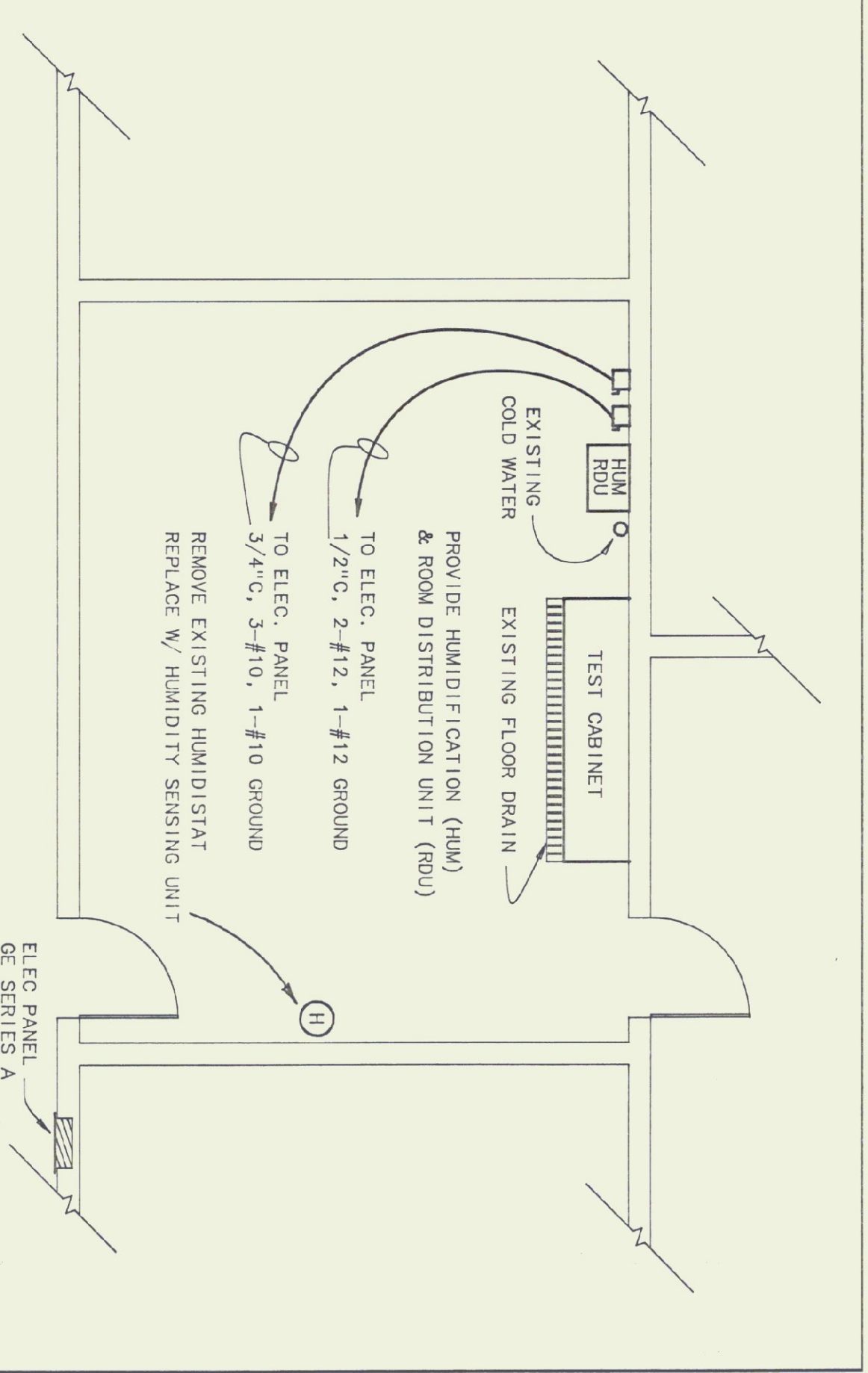


MECHANICAL EQUIPMENT SCHEDULE

HUM	HUMIDIFIER, 20 LBS/HR, 6-GRN, 208VAC 3 PHASE, 18.3 AMP'S, HERMIDIFIER CO., INC. HERRIRONIC III, MODEL MDM W/PROPORTIONAL CONTROL
RDU	ROOM DISTRIBUTION UNIT, DIRECT MOUNTED, AIR PROVING SWITCH, THERMOSTAT, INTERNAL CONDENSATE TRAP, 208 VAC, 1 PHASE

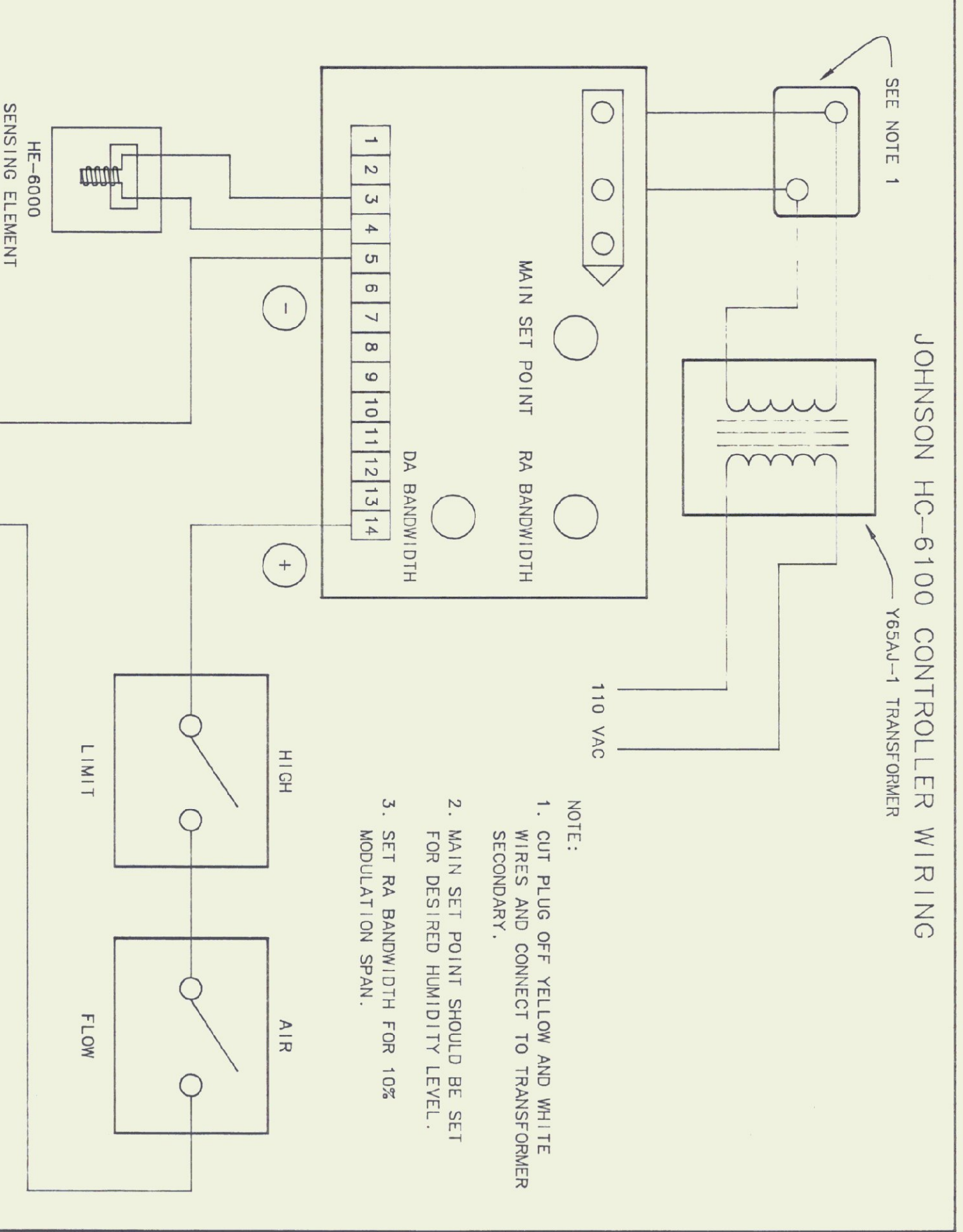
SPECIFICATIONS - STEAM HUMIDIFIER & ROOM DISTRIBUTION UNIT

- 1.01 DESCRIPTION**
- A. Provide all labor, materials, equipment and transportation as required to completely install a humidifier and room distribution unit for the Agency of Transportation Laboratory, Berre - Montpelier Road, Berlin, Vermont.
- 1.02 SUBMITTAL DATA AND SHOP DRAWINGS**
- A. Submit five copies of all submittal data and/or complete shop drawings. Submittals shall include wiring diagrams.
- B. Submittals and/or shop drawings are to be affixed to show specific data for the mechanical equipment that the contractor intends to provide.
- 1.03 OPERATIONS AND MAINTENANCE MANUAL**
- A. Upon completion of this portion of the work, and as a condition of it's acceptance, deliver to the Engineer four copies of a manual describing the system.
- B. An outline of a preventative maintenance program which shall include a schedule of inspection and maintenance. It shall suggest the maintenance and inspection that should be done.
- C. Complete name and address of nearest vendor of replaceable parts.
- D. Copy of all guarantees and warranties issued.
- 1.04 GUARANTEE**
- A. The Contractor shall guarantee to repair or replace at his own expense any work or material installed or furnished under this contract which develops defects, except for normal wear, within one year from the date of final acceptance of the entire work.
- 2.01 MATERIALS**
- A. Provide and install steam humidifier (HUM) with following features:
- Microprocessor control adjust automatically to any water quality
 - 3-digit precise L.E.D. read out of capacity
 - Proportional control of output
 - Proportional control to accept input signal of 0-20 mA
 - Disposable steam cylinder
 - Circuit board with diagnostic output provide for system shut-down in case of abnormal operations
- B. Provide and install room distribution unit (RDU). RDU to be direct mounted on humidifier. Unit requires a standard air proving switch and thermostat.
- 2.02 ELECTRICAL EQUIPMENT**
- A. All wiring shall be in thimwall (EMT) conduit with steel compression fittings in accordance with NEC 348.
- 2.03 PIPING**
- A. Cold water supply piping to be "Type L" copper with ball valve shut off.
- B. Drain piping to be "Type M" copper.
- 3.01 INSTALLATION**
- A. Install all work with a neat and orderly appearance, as specified and as shown on the Drawings.
- B. Make all installations structurally sound throughout.
- C. Locate all installations to avoid interference with existing piping and equipment.
- D. Perform all work incidental to the installation of the apparatus and materials including, but not limited to, cutting, patching, electrical power and controls, plumbing and mechanical equipment.
- 3.02 CLEANING**
- A. Do not allow refuse and surplus materials to accumulate and obstruct the operation of laboratory.
- B. Upon completion of the installation, remove refuse and surplus materials, leave the room neat and clean.

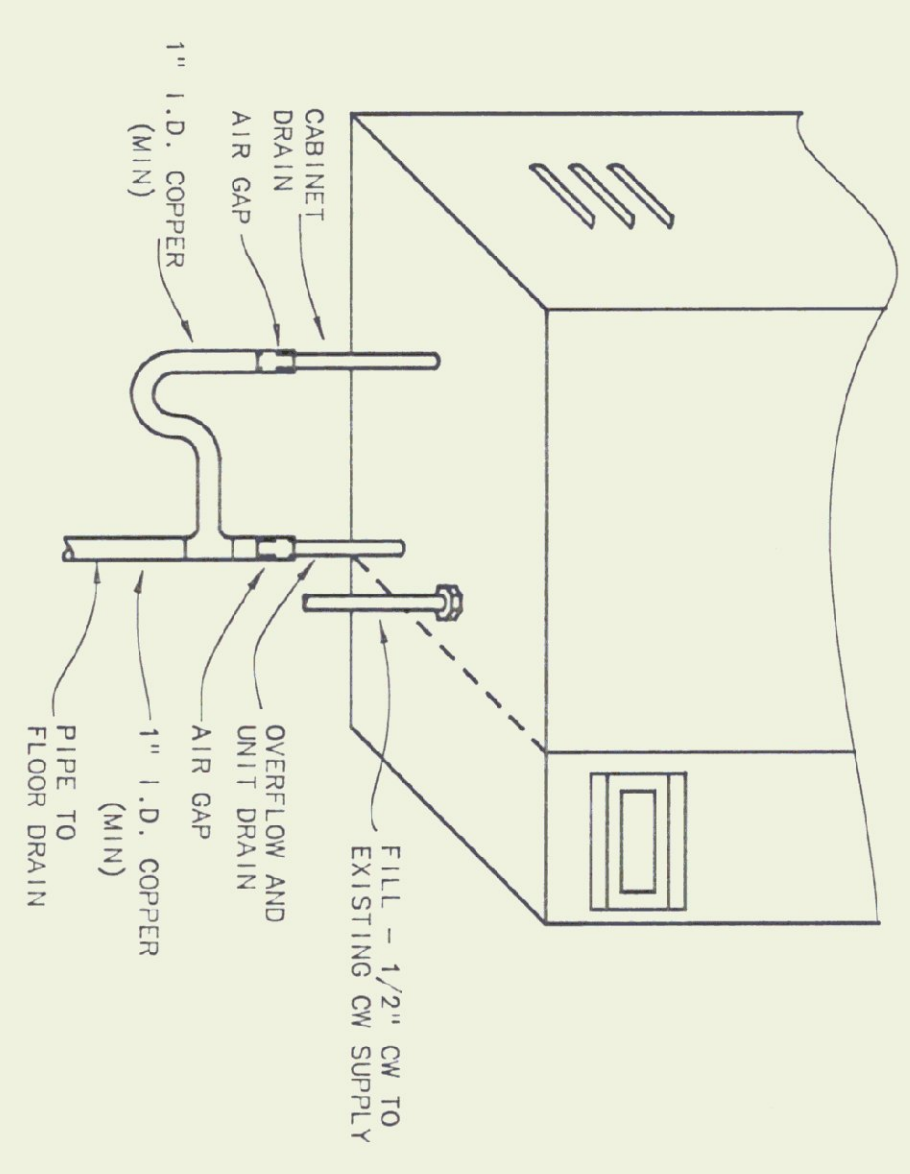


TEST LAB HUMIDIFICATION PLAN
SCALE = 1/4"=1'-0"

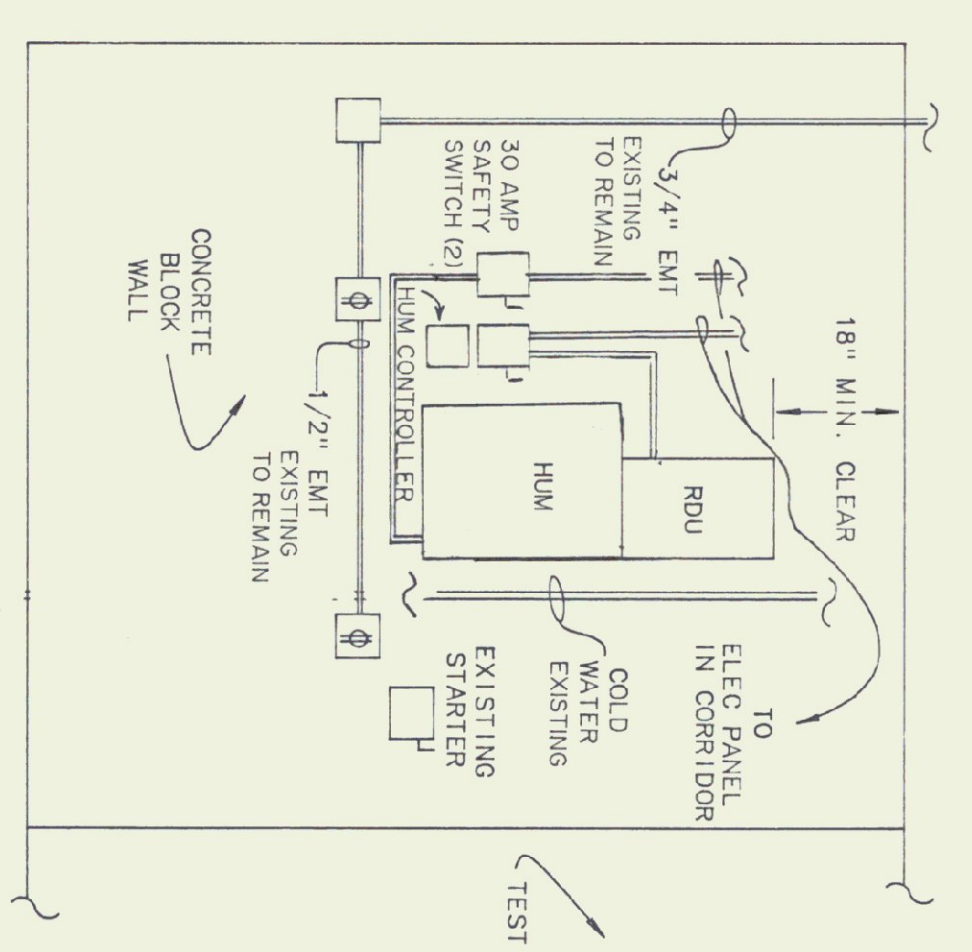
- 1) PROVIDE 30 AMP, 3-POLE CIRCUIT BREAKER GE THOB FOR HUMIDIFIER
- 2) PROVIDE 15 AMP, 2-POLE CIRCUIT BREAKER GE THOB FOR RDU



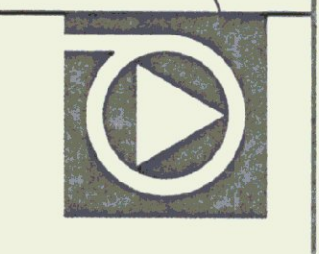
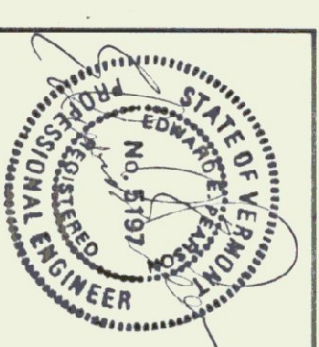
HUMIDIFIER CONTROL WIRING DETAIL
NO SCALE



HUMIDIFIER WATER SUPPLY & DRAIN DETAIL
NO SCALE



HUMIDIFIER ELEVATION
SCALE - 1/2"=1'-0"



Pearson & Associates
MECHANICAL & ELECTRICAL ENGINEERS
P. O. BOX 610 STOWE, VERMONT 05672
TEL. (802) 253-9607 FAX. (802) 253-9290

STATE OF VERMONT
DEPARTMENT OF STATE BUILDINGS
AGENCY OF ADMINISTRATION
MONTPELIER
VERMONT

AGENCY OF TRANSPORTATION
LABORATORY
Berlin, Vermont
TEST LAB - HUMIDIFICATION
DATE: 07/24/92 SCALE: AS SHOWN
DRAWN BY: B.W.M. APPROVED BY: [Signature] CAD FILE: PSHUMID SHEET: 1 OF 1 DWG NO. 1