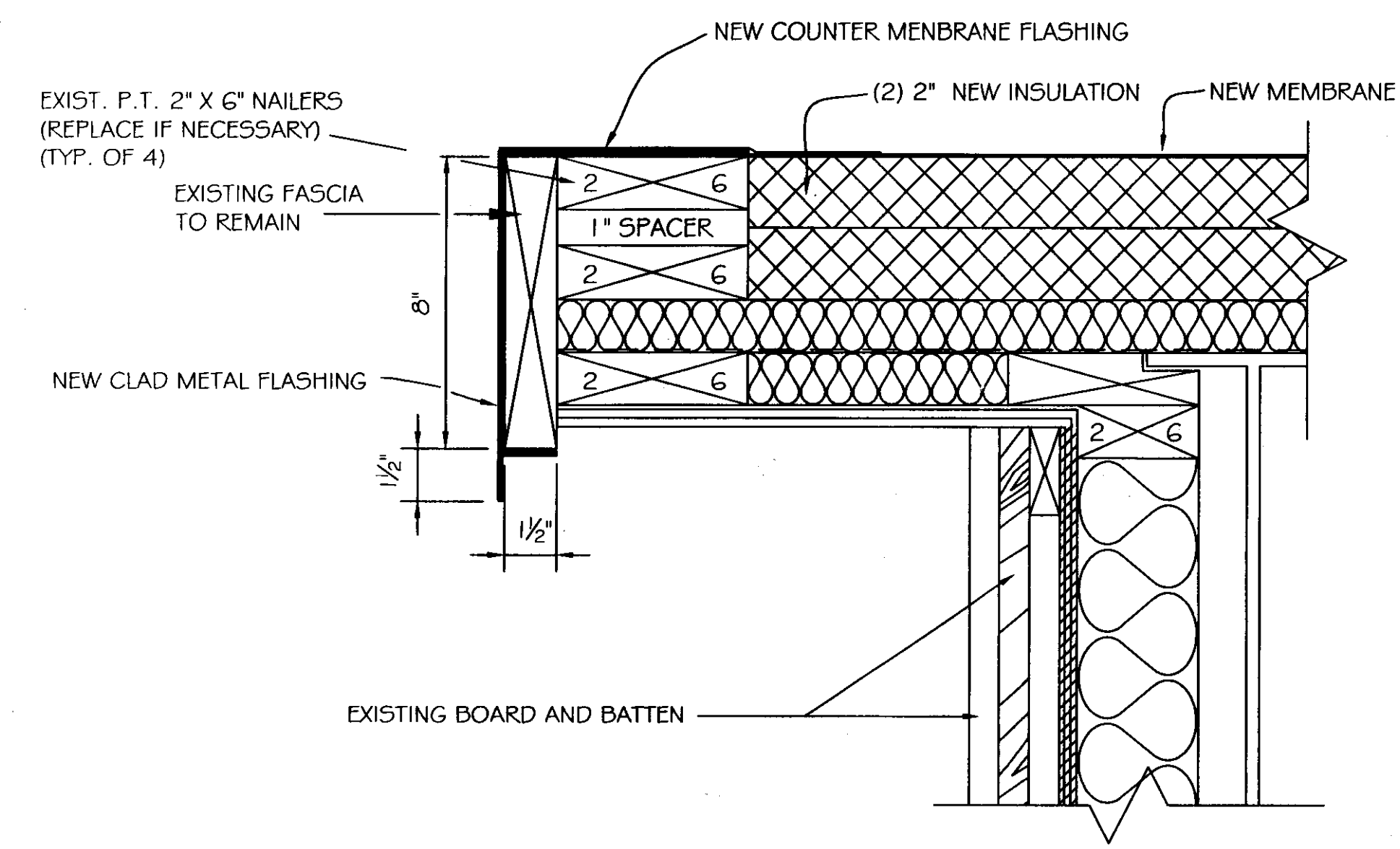


FRONT

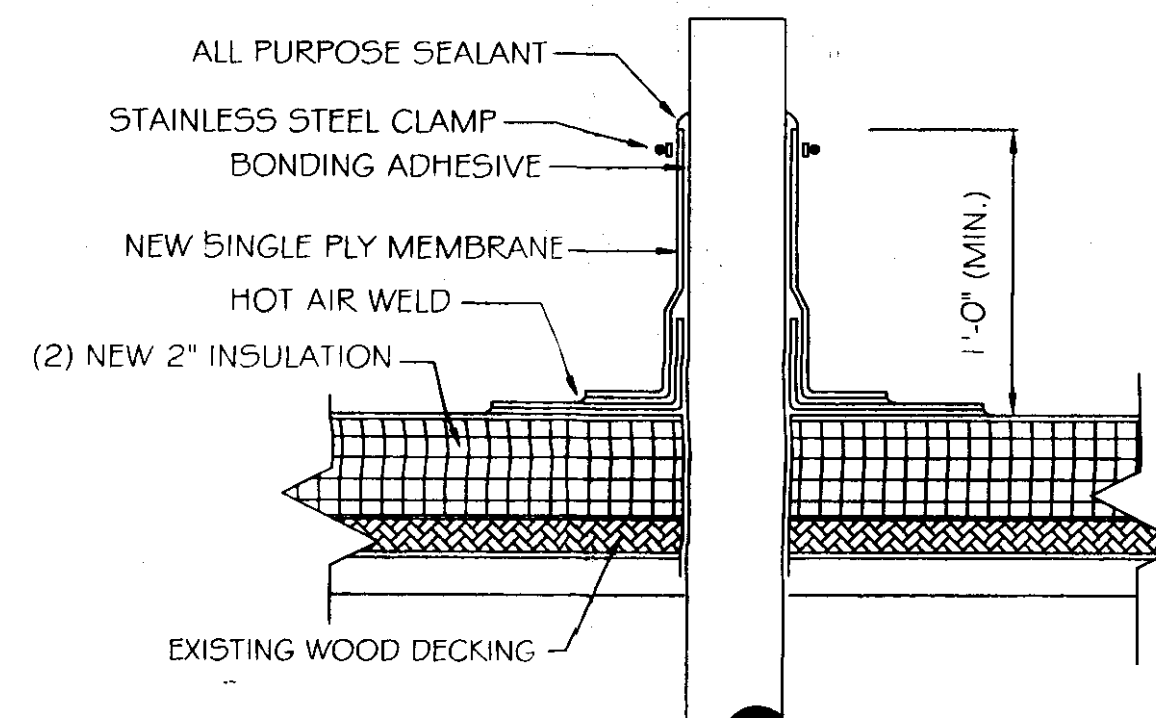
**ROOF PLAN**

SCALE: 1/8" = 1'-0"



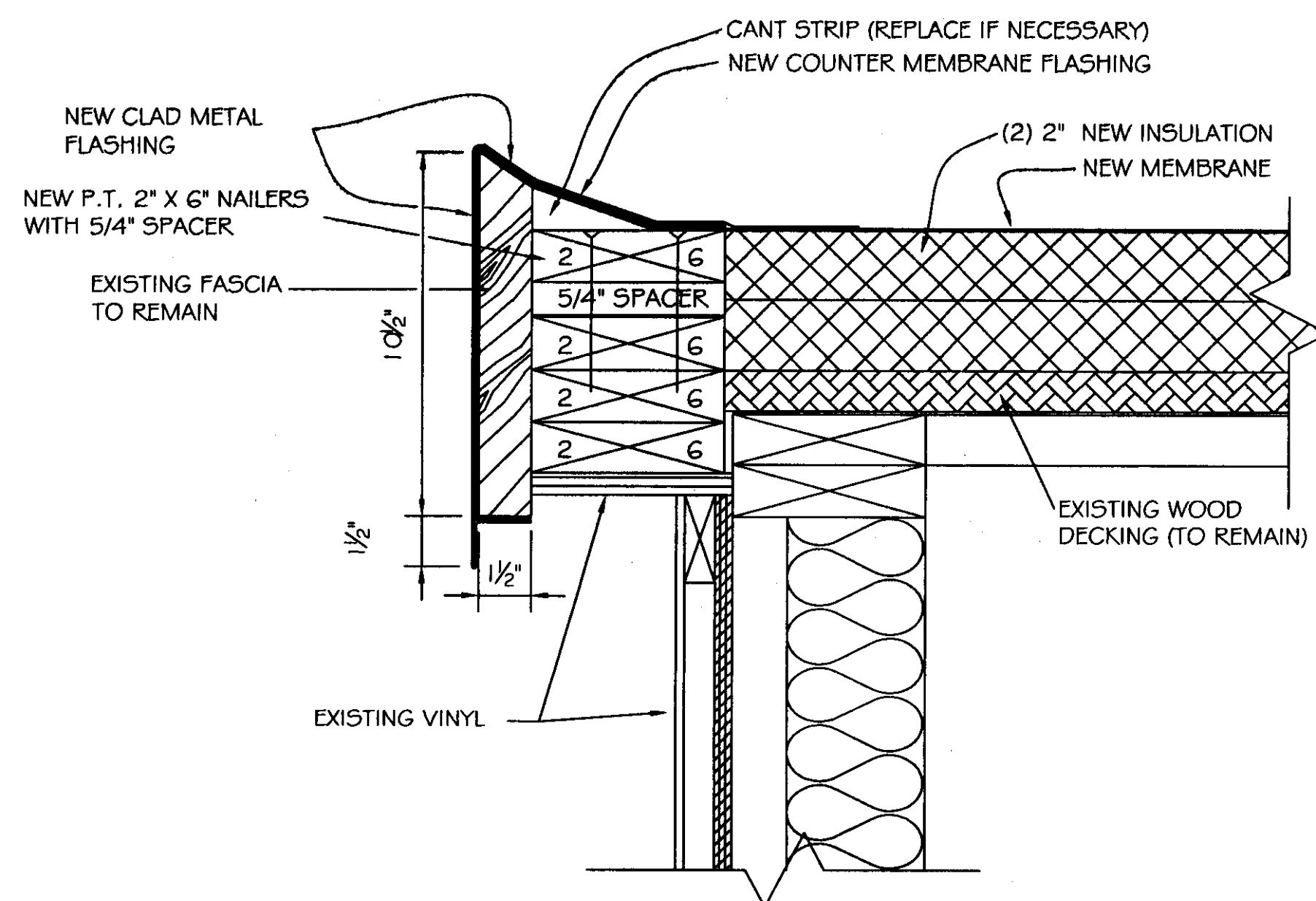
**NEW SECTION B-B**

SCALE: 3" = 1'-0"



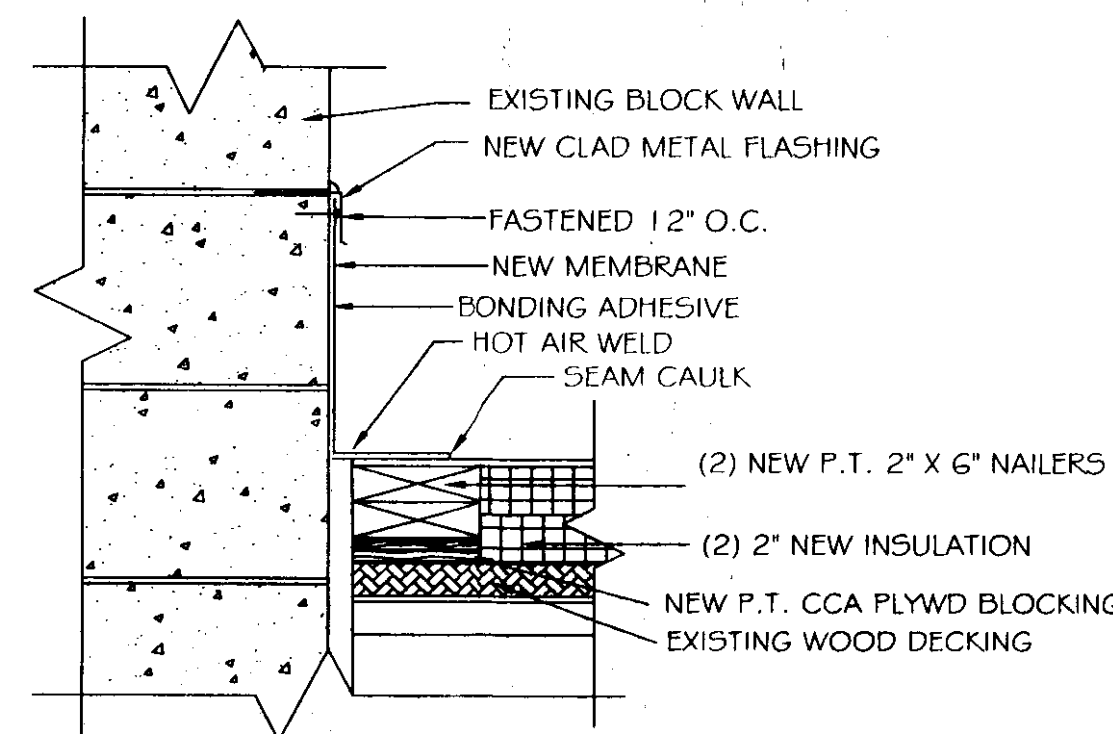
**TYPICAL VENT DETAIL**

SCALE: 1-1/2" = 1'-0"



**SECTION A-A**

SCALE: 3" = 1'-0"

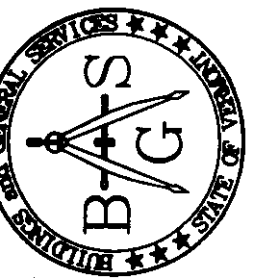


**CHIMNEY FLASHING DETAIL**

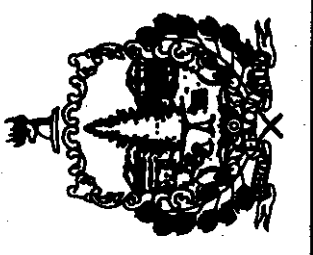
SCALE: 1-1/2" = 1'-0"

**GENERAL NOTES:**

- 1.) EXISTING BUILT-UP ROOFING AND FLASHING TO BE REMOVED AND DISPOSED OF. INSTALL NEW (2) 2" LAYERS OF POLYISOCYANURATE RIGID INSULATION. NEW .060 TPO MEMBRANE ROOFING SYSTEM WITH METAL FLASHING.
- 2.) ALL BLOCKING, CANT STRIPS, & LUMBER TO BE PRESSURE TREATED AND REPLACED AS REQUIRED. REPLACE EXIST. WOOD DECK AS NEEDED.
- 3.) DETAILS ARE EXAMPLES ONLY. ACTUAL INSTALLATION TO BE DONE IN ACCORDANCE WITH MANUFACTURERS RECOMMENDATIONS.
- 4.) ALL MATERIAL REMOVED SHALL BE PROPERLY AND LEGALLY DISPOSED OF.
- 5.) FIELD VERIFY ALL DIMENSIONS AND EXISTING CONDITIONS.
- 6.) NEW INSULATION TO BE LOOSE LAID TO COMPLY WITH ROOFING MANUF. RECOMMENDATIONS.
- 7.) NEW TPO .060 REINFORCED MEMBRANE TO BE MECHANICALLY FASTENED TO COMPLY WITH ROOFING MANUF. RECOMMENDATIONS.
- 8.) NEW TPO .060 REINFORCED MEMBRANE SHALL BE COLOR: BLACK
- 9.) CONTRACTOR TO PROVIDE A 15 YEAR TOTAL ROOFING SYSTEM WARRANTY INCLUDING: INSULATION, MEMBRANE, FLASHING, ADHESIVES, FASTENERS, ETC. WARRANTY TO BE PROVIDED BY PRIMARY MANUFACTURER.



STATE OF VERMONT  
Department of Buildings  
and General Services  
Agency of Administration  
Montpelier, Vermont



AGENCY OF TRANSPORTATION  
WESTFIELD MAINTENANCE GARAGE  
REROOF PLAN & DETAILS

REVISIONS

SCALE: AS SHOWN  
DATE: AUGUST 2005  
DRAWN BY: M. DeJACKOME  
APPR. BY: R. BARRY

AOT GARAGE

WESTFIELD MAINT. GARAGE

REROOF DETAILS

SET # 13  
DO NOT COPY

R-1

1 OF 1