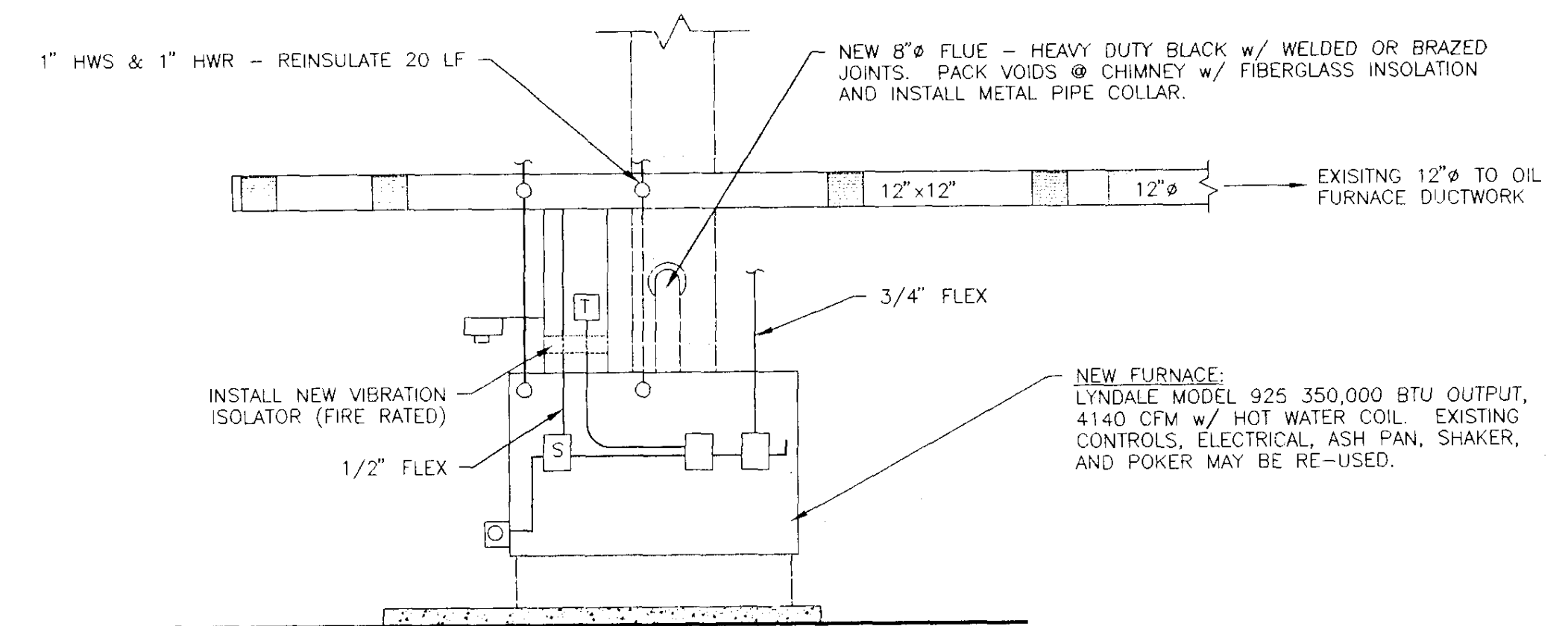
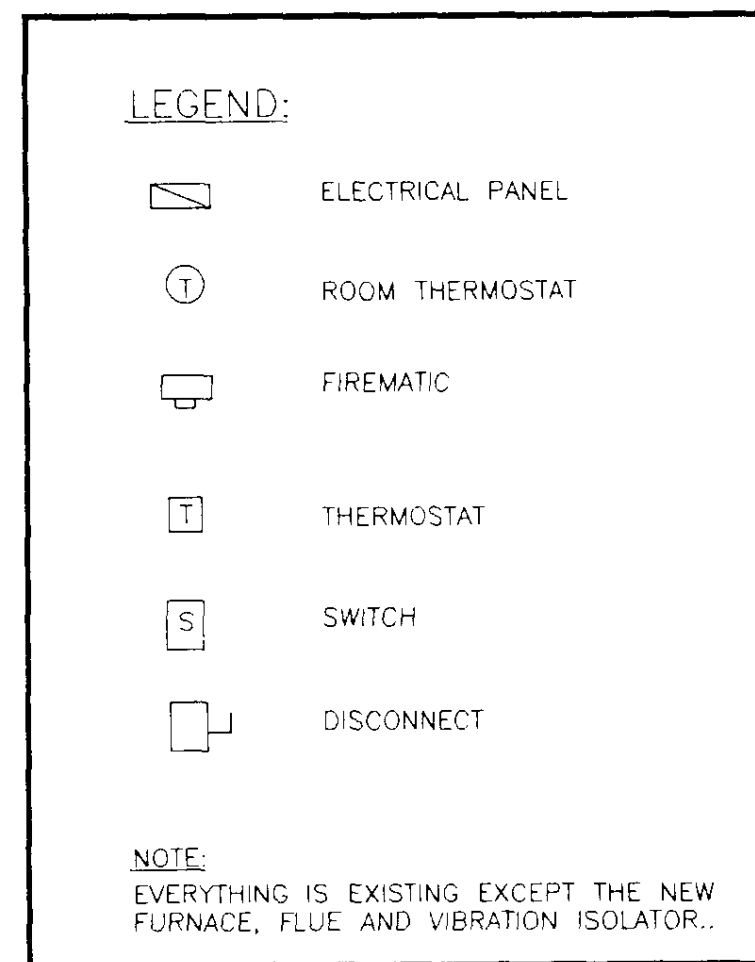


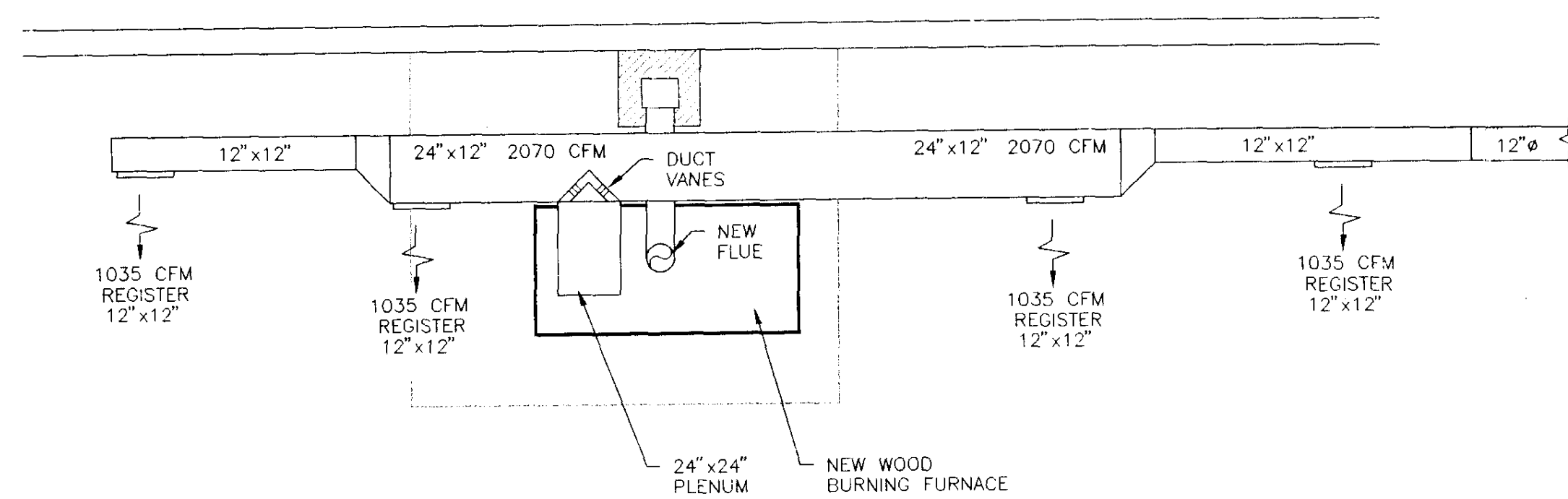
FLOOR PLAN

1/8" = 1'-0"



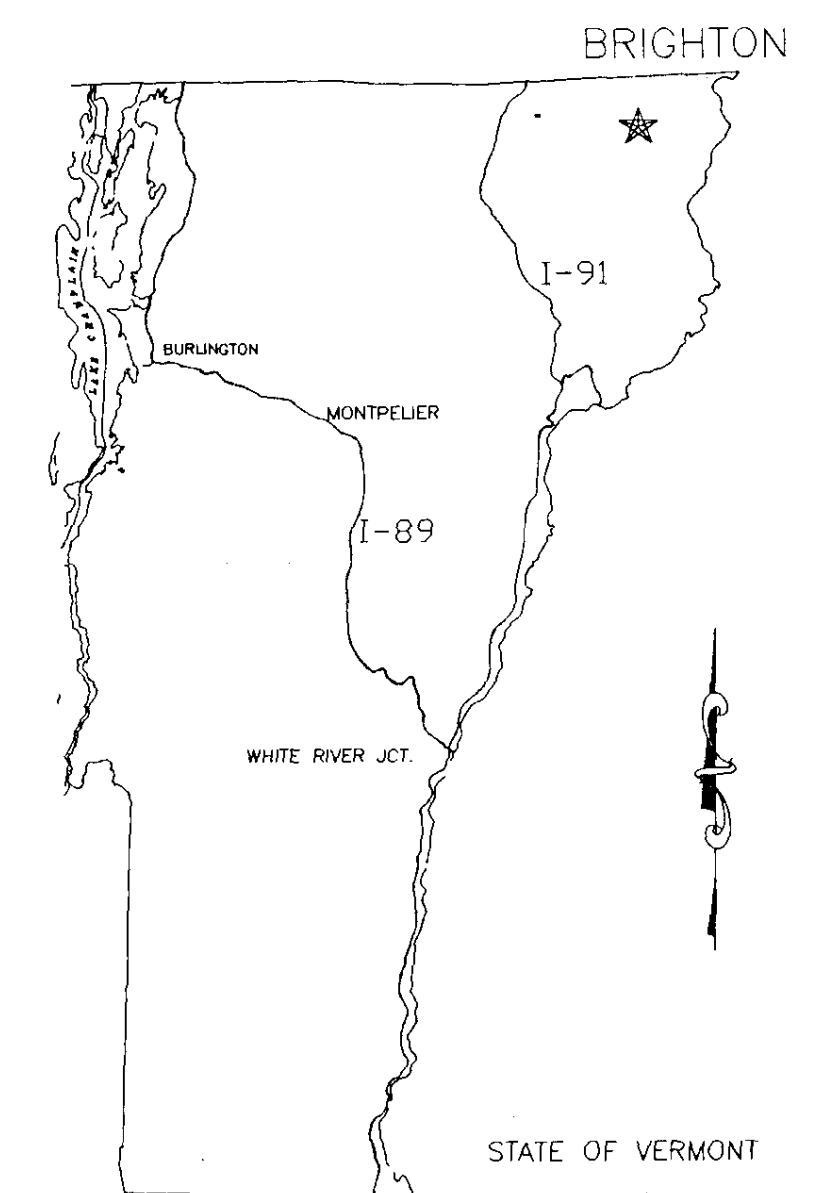
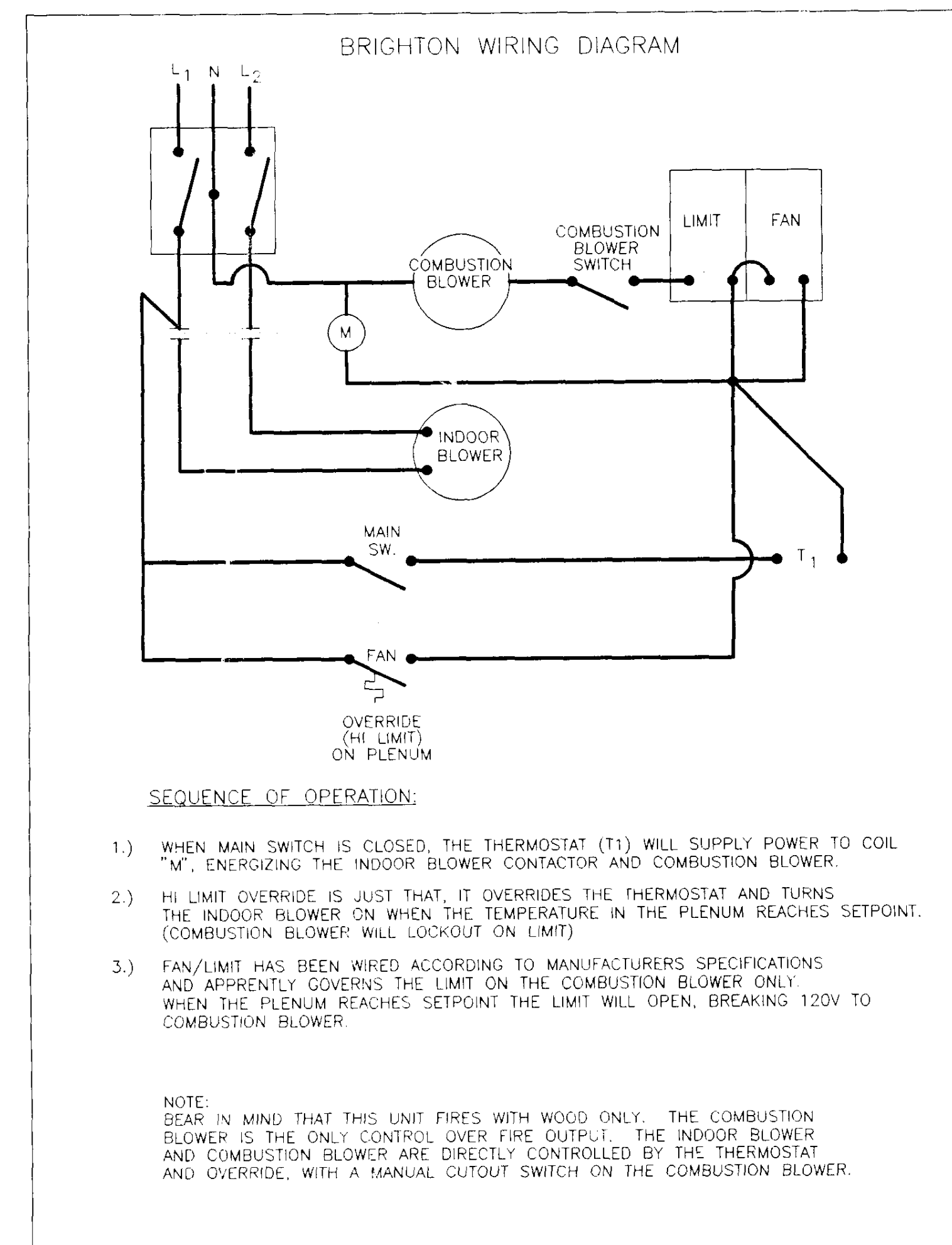
FURNACE ELEVATION

1/4" = 1'-0"



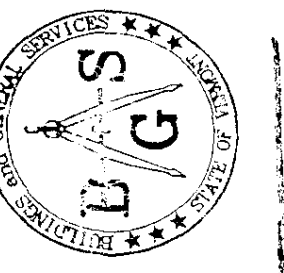
FURNACE PLAN

1/4" = 1'-0"

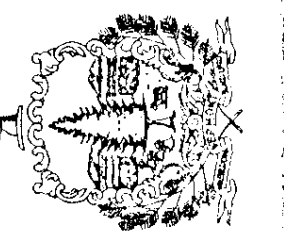


STATE LOCATION

N.T.S.



STATE OF VERMONT
Department of Buildings
and General Services
Agency of Administration
Montpelier, Vermont



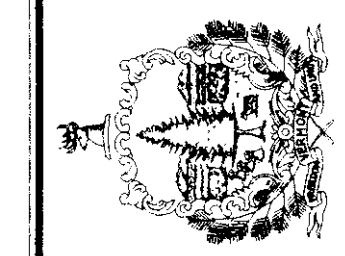
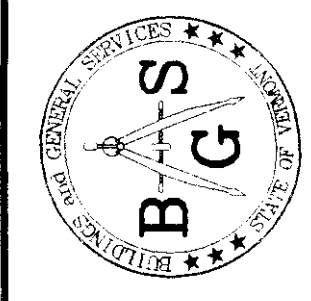
WOOD BURNING FURNACE REPLACEMENT
BRIGHTON A.O.T. GARAGE
PLANS & DETAILS
VERMONT
BRIGHTON

REVISIONS	AS BUILT
AS NOTED	OCT 1997
DRAWN BY:	G. D. ACKWOOD
APPR. BY:	TEGA

BRIGHTON
WOOD
FURNACE
FLOOR PLAN

A-1

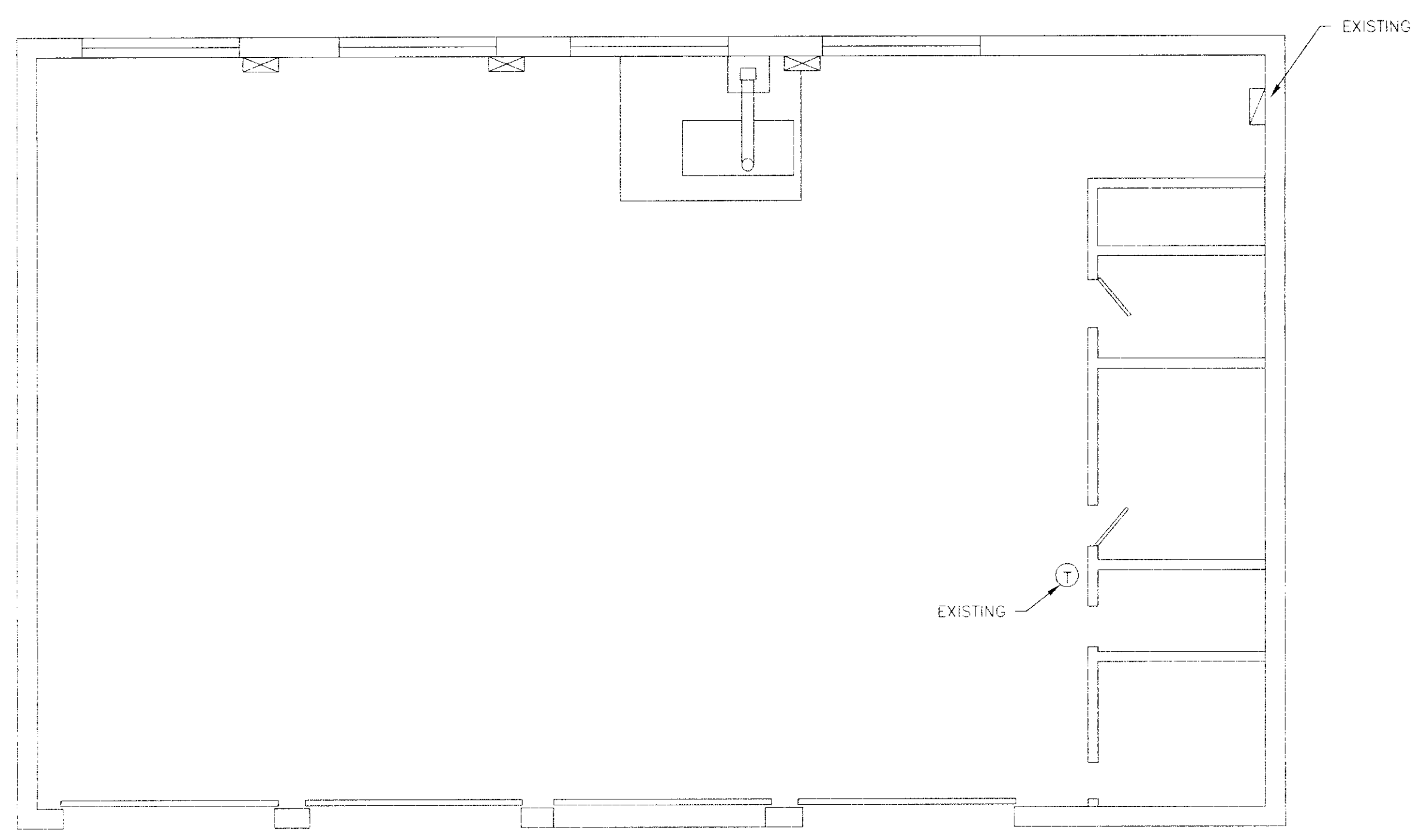
1 OF 1



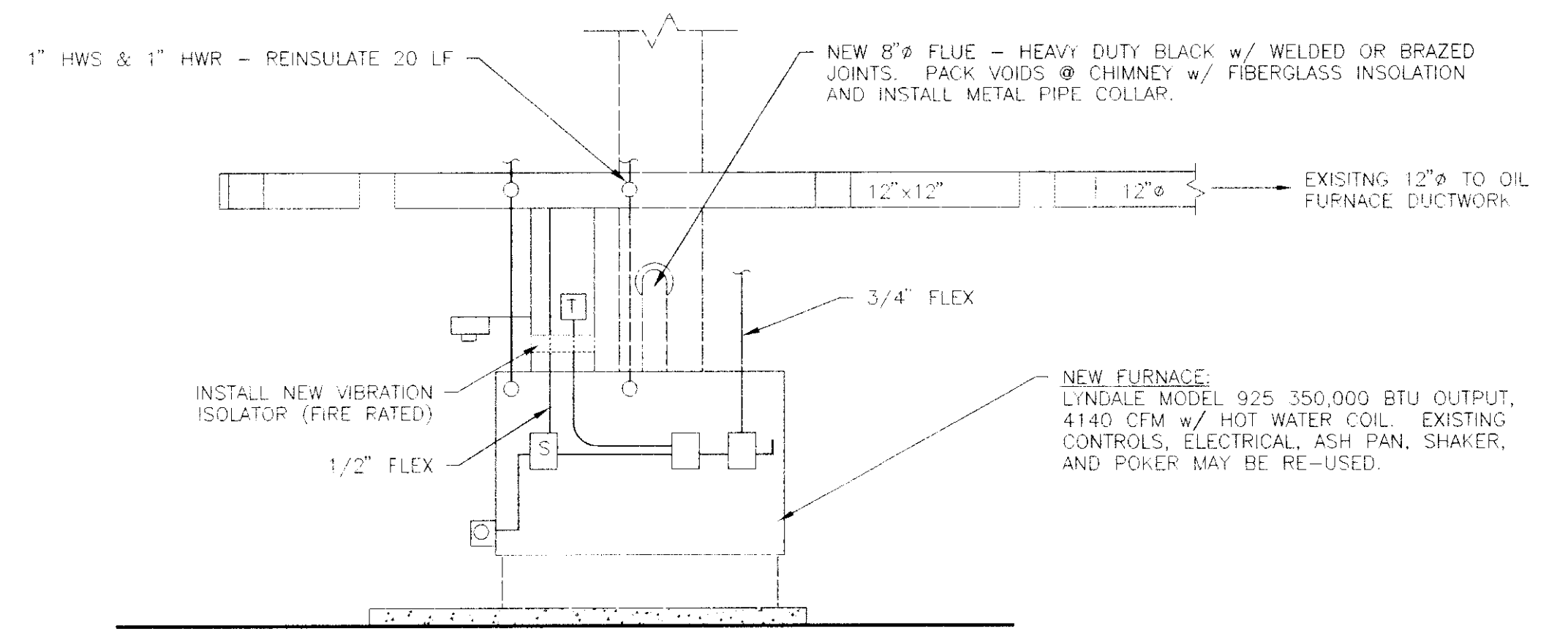
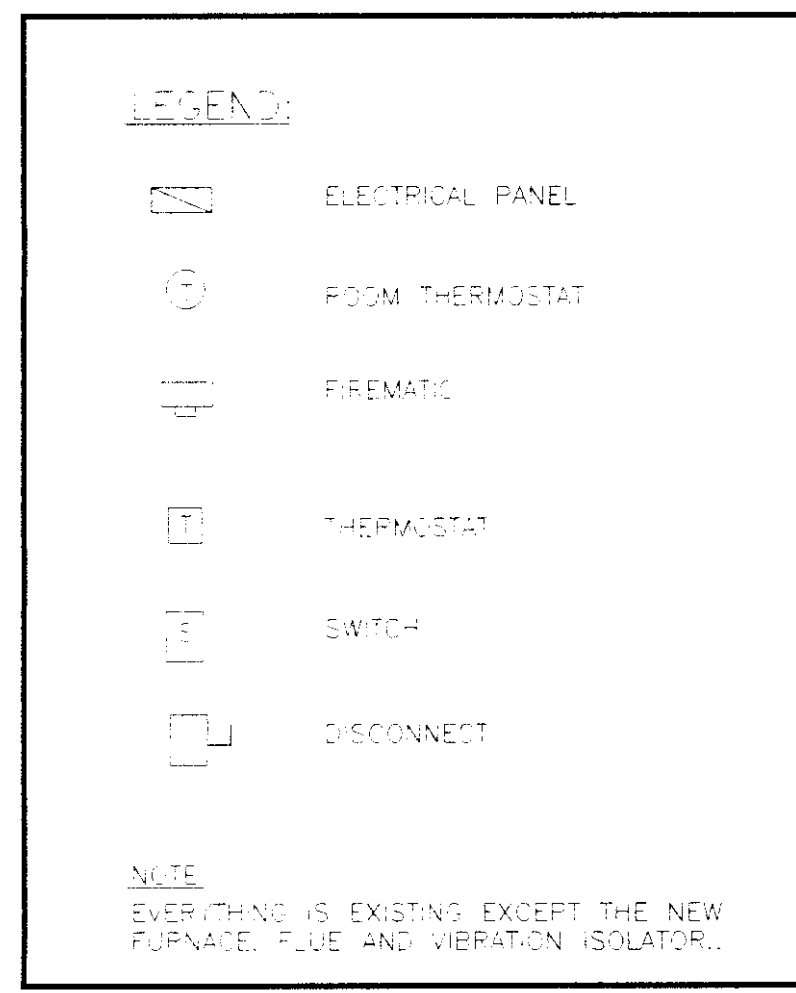
REVISIONS AS BUILT

SCALE: AS NOTED
DATE: OCT 1997
DRAWN BY: G. D. NORWOOD
APPR BY: J.E.G.H.

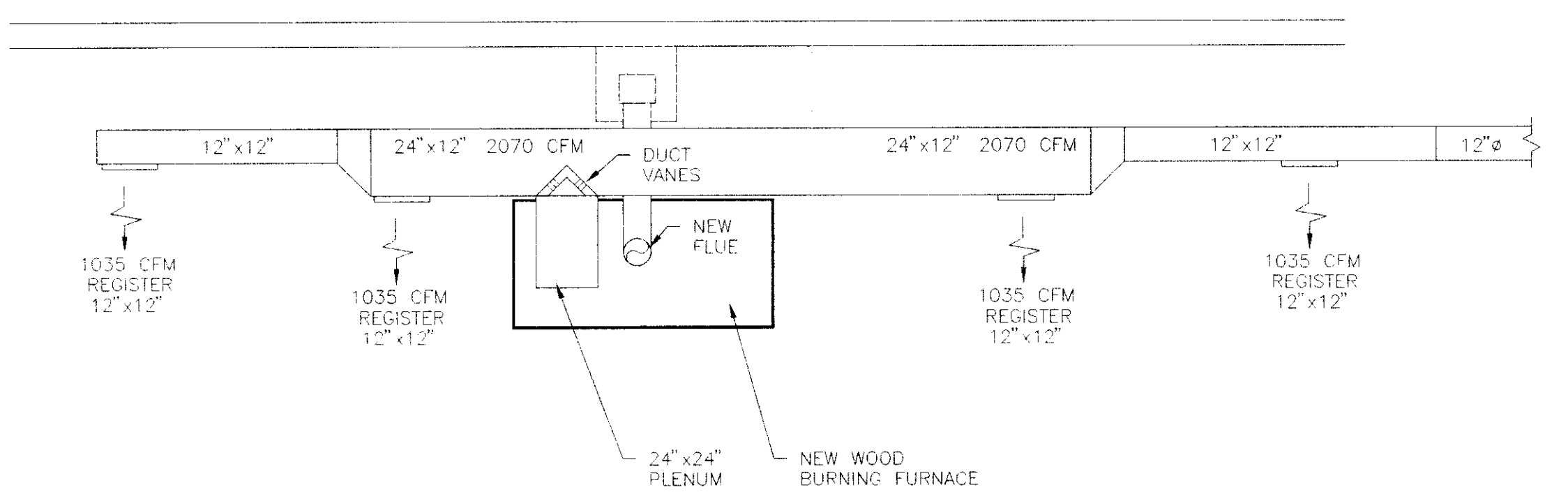
BRIGHTON
WOOD FURNACE
FLOOR PLAN



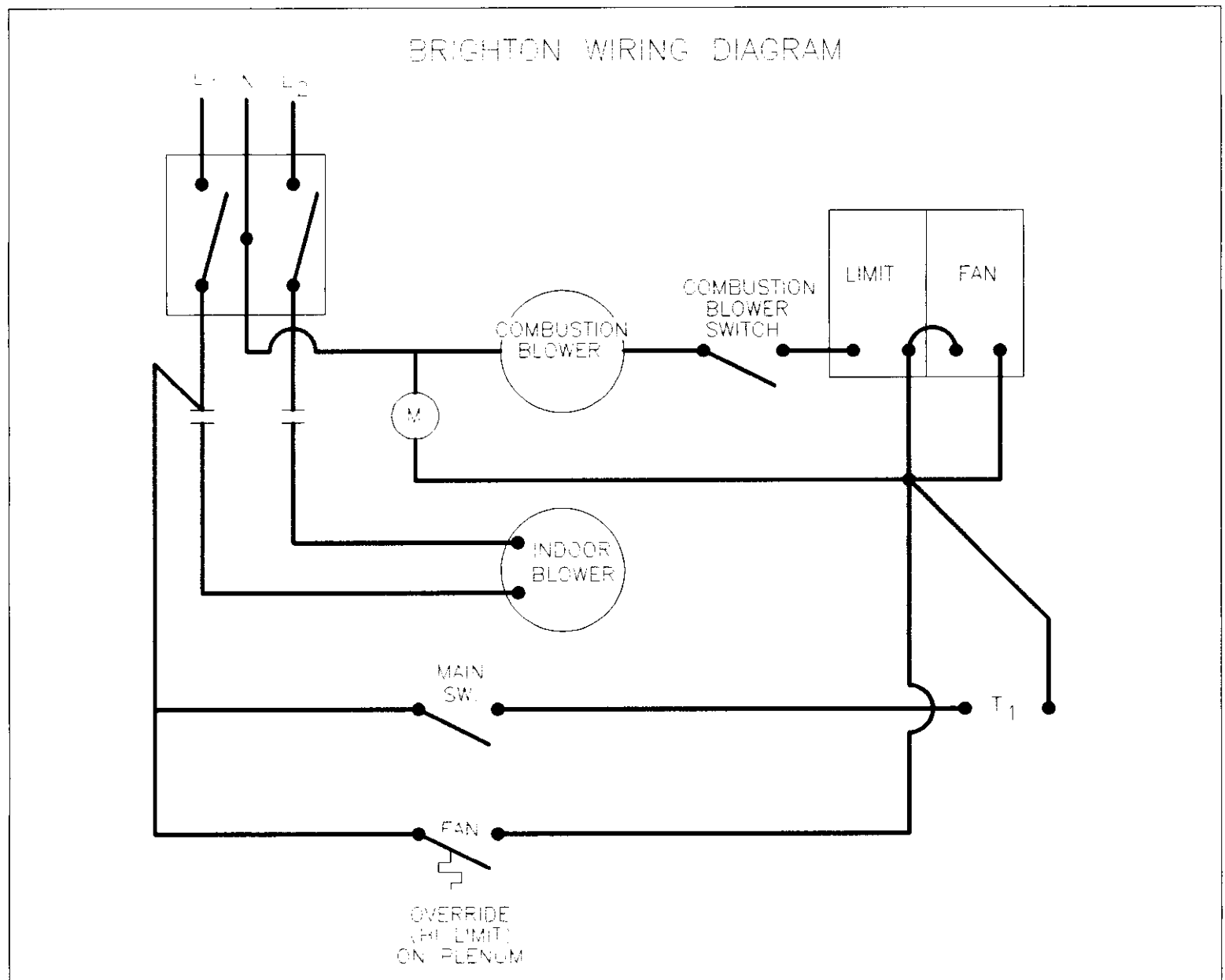
FLOOR PLAN
 1/8" = 1'-0"



FURNACE ELEVATION
 1/4" = 1'-0"

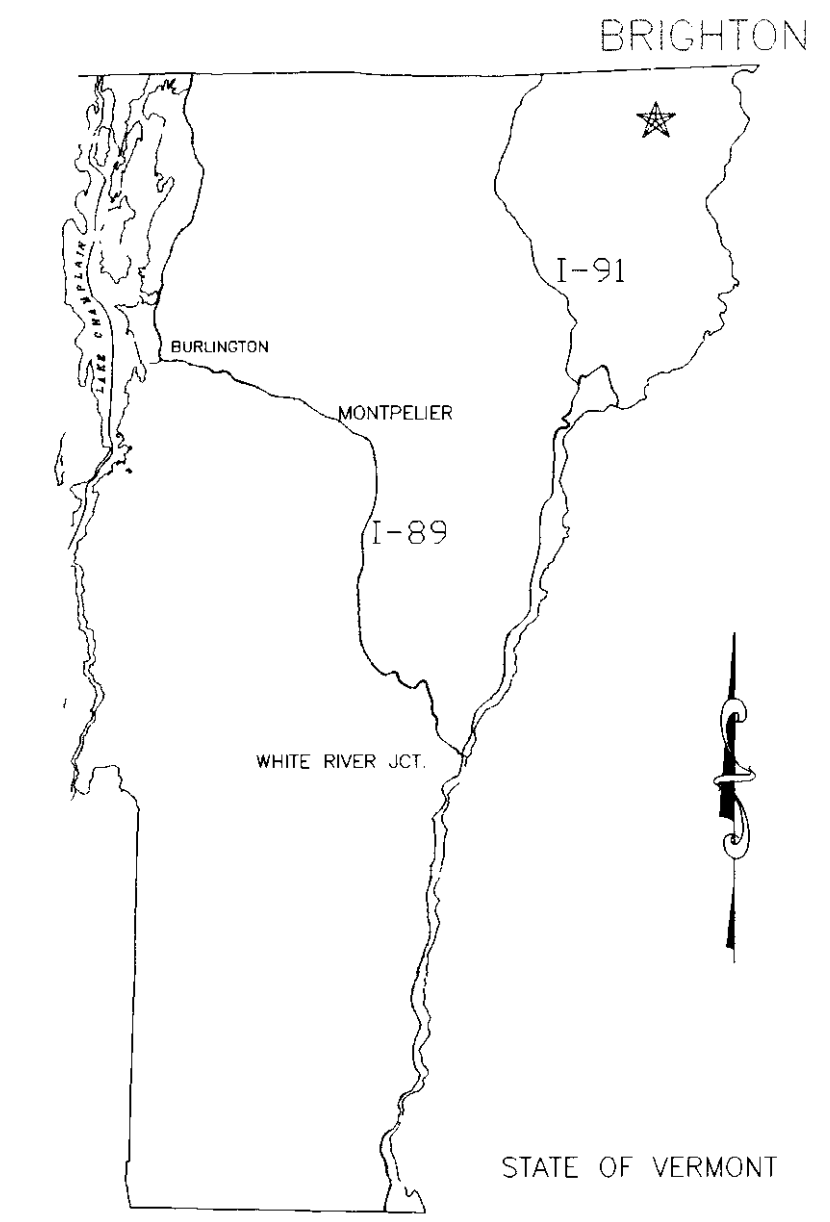


FURNACE PLAN
 1/4" = 1'-0"



- SEQUENCE OF OPERATION:
- 1.) WHEN MAIN SWITCH IS CLOSED, THE THERMOSTAT (T1) WILL SUPPLY POWER TO COIL "T", ENERGIZING THE INDOOR BLOWER CONTACTOR AND COMBUSTION BLOWER.
 - 2.) HI LIMIT OVERRIDE IS JUST THAT, IT OVERRIDES THE THERMOSTAT AND TURNS THE INDOOR BLOWER ON WHEN THE TEMPERATURE IN THE PLENUM REACHES SETPOINT. (COMBUSTION BLOWER WILL LOCK-OUT ON LIMIT)
 - 3.) FAN/LIMIT HAS BEEN WIRED ACCORDING TO MANUFACTURERS SPECIFICATIONS AND APPARENTLY GOVERNS THE LIMIT ON THE COMBUSTION BLOWER ONLY. WHEN THE PLENUM REACHES SETPOINT THE LIMIT WILL OPEN, BREAKING 120V TO COMBUSTION BLOWER.

NOTE:
 BEAR IN MIND THAT THIS UNIT FIRES WITH WOOD ONLY. THE COMBUSTION BLOWER IS THE ONLY CONTROL OVER FIRE OUTPUT. THE INDOOR BLOWER AND COMBUSTION BLOWER ARE DIRECTLY CONTROLLED BY THE THERMOSTAT AND OVERRIDE, WITH A MANUAL OUTCUT SWITCH ON THE COMBUSTION BLOWER.



STATE LOCATION
 N.T.S.