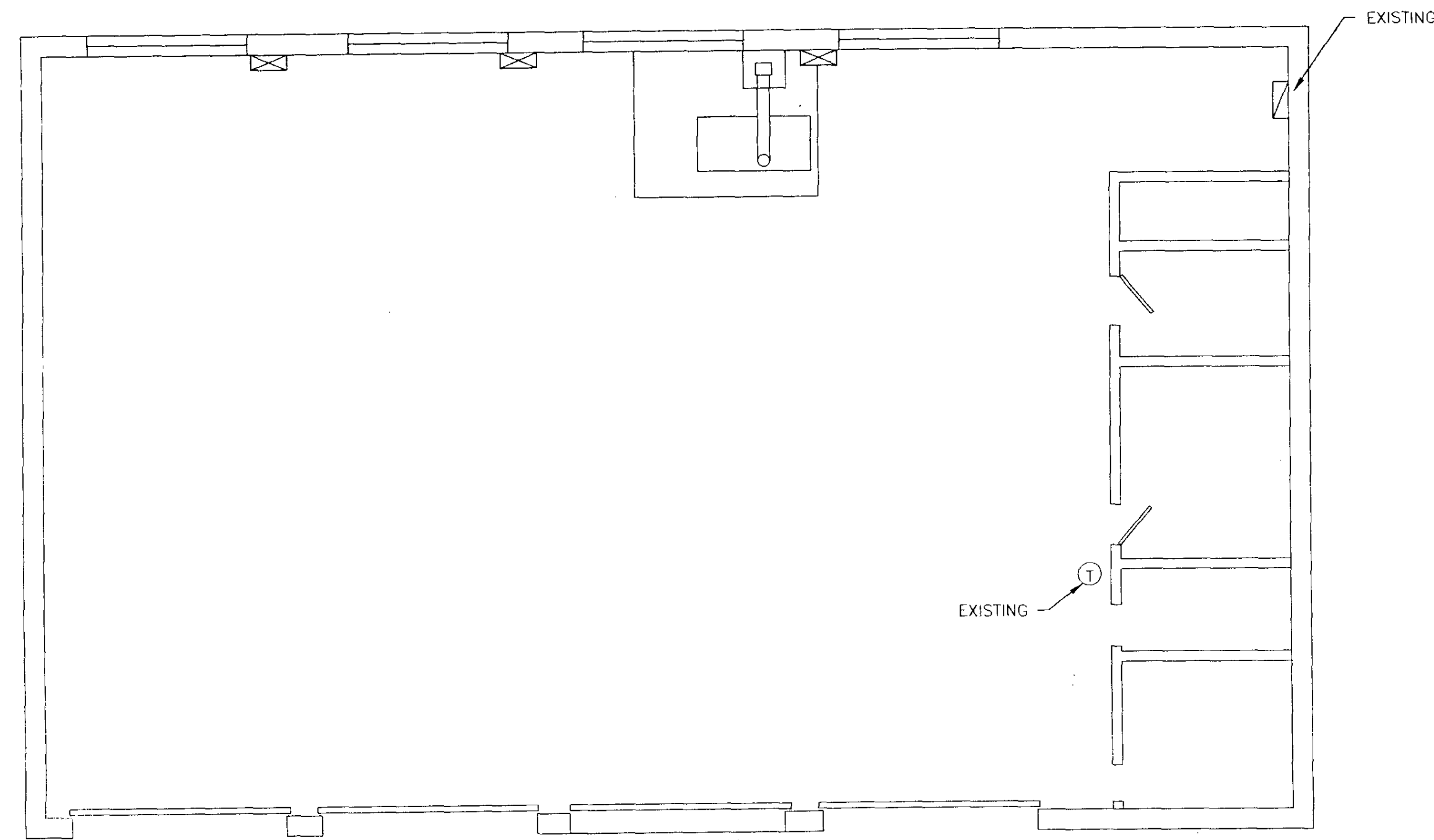


REVISIONS	AS BUILT
SCALE: AS NOTED	DATE: OCT 1997
DRAWN BY: G. D. ACKWOOD	APPR. BY: TEGIA

BRIGHTON
 WOOD
 FURNACE
 FLOOR PLAN

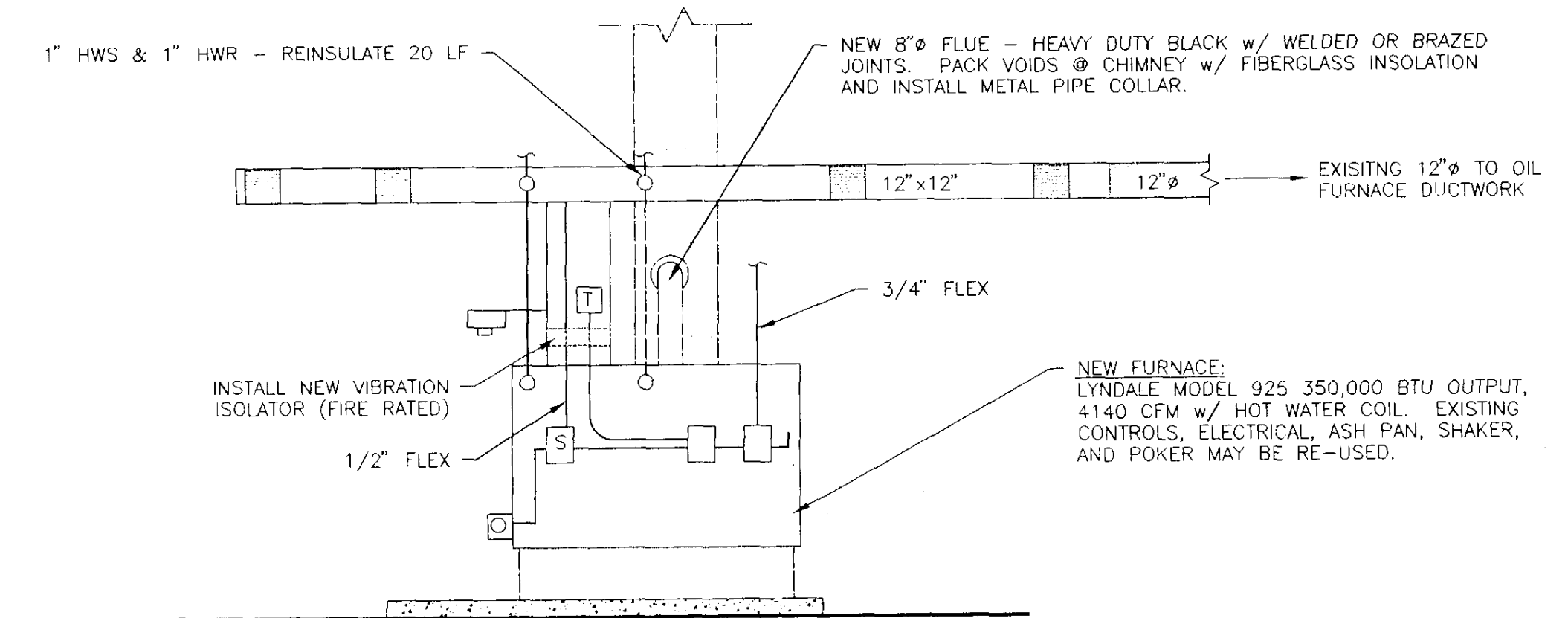
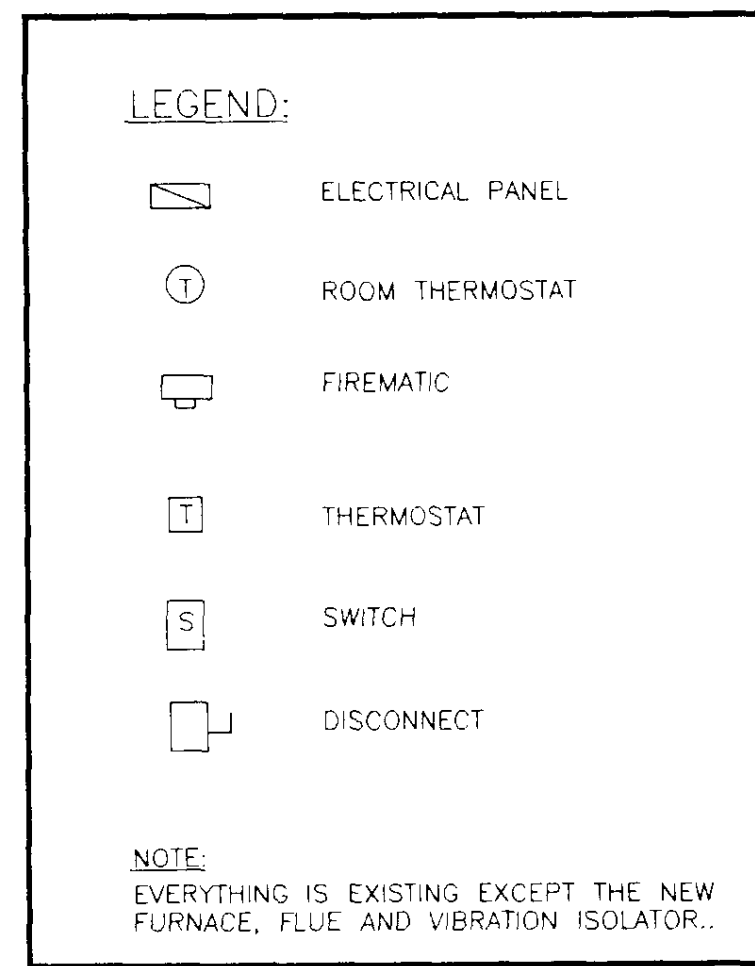
BY: TEGIA, BRIGHTON, VERMONT

A-1



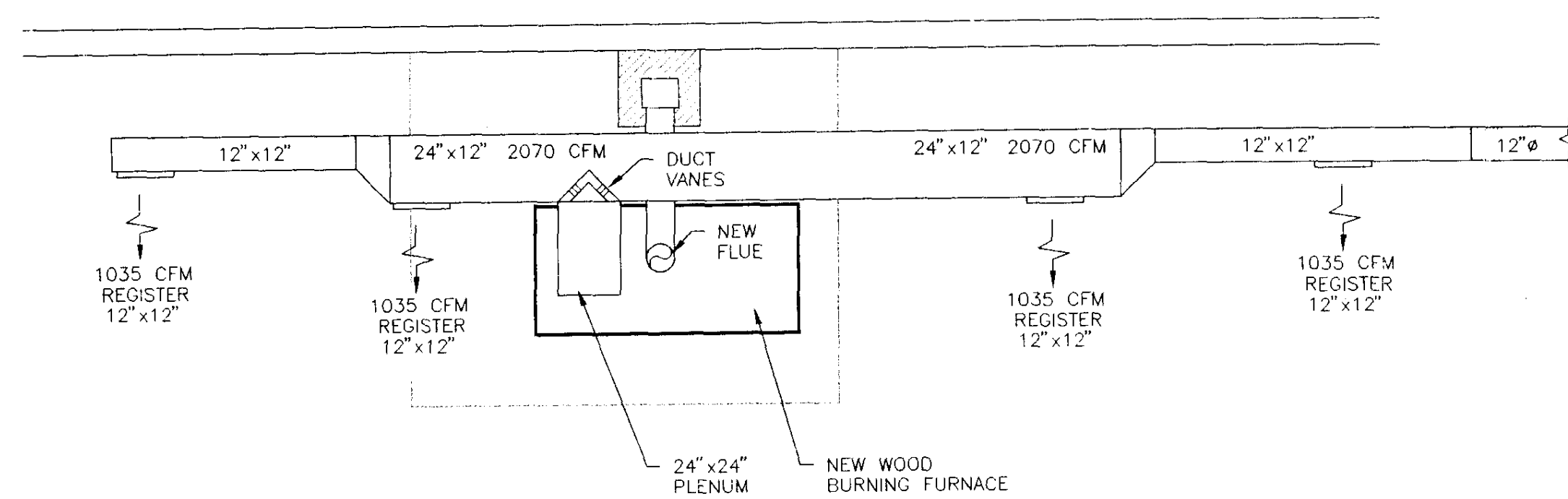
FLOOR PLAN

1/8" = 1'-0"



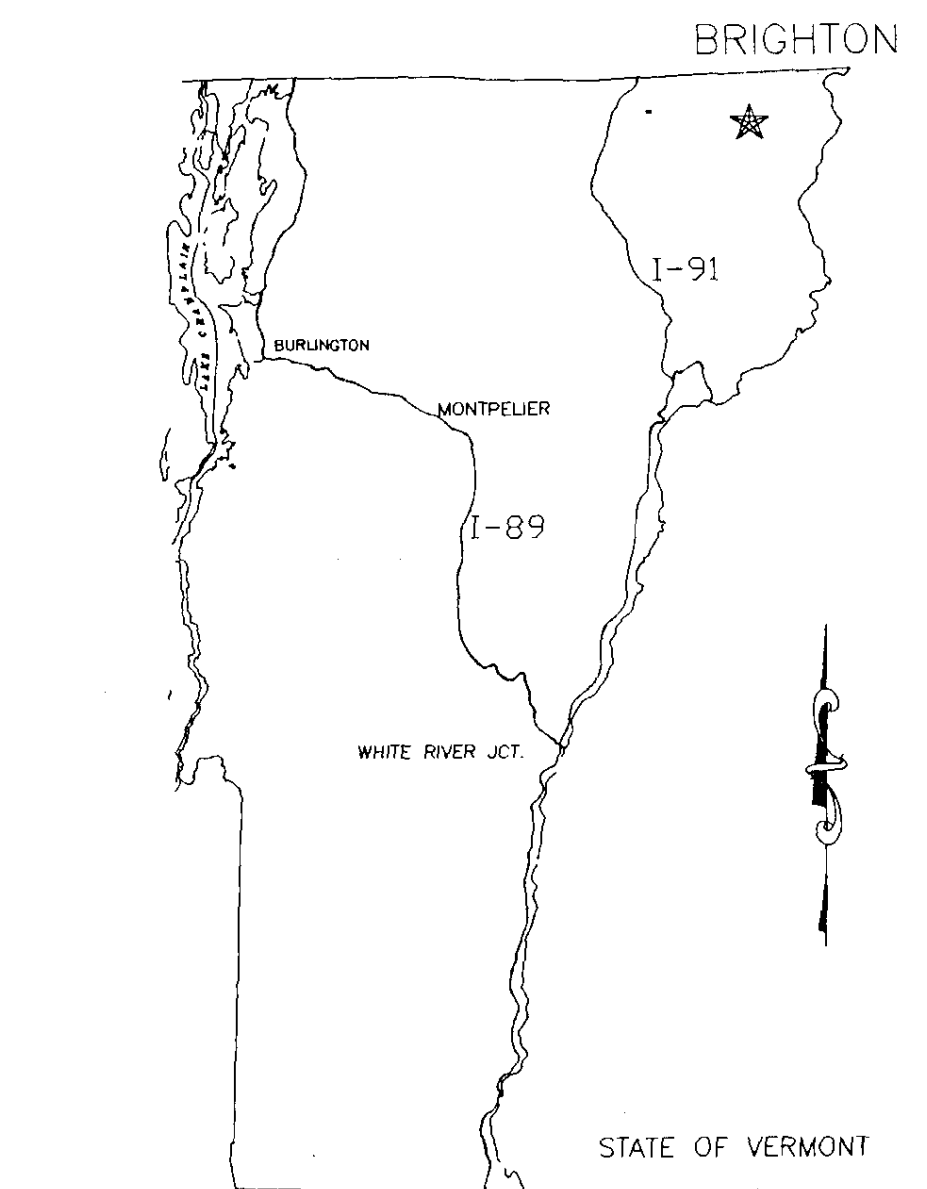
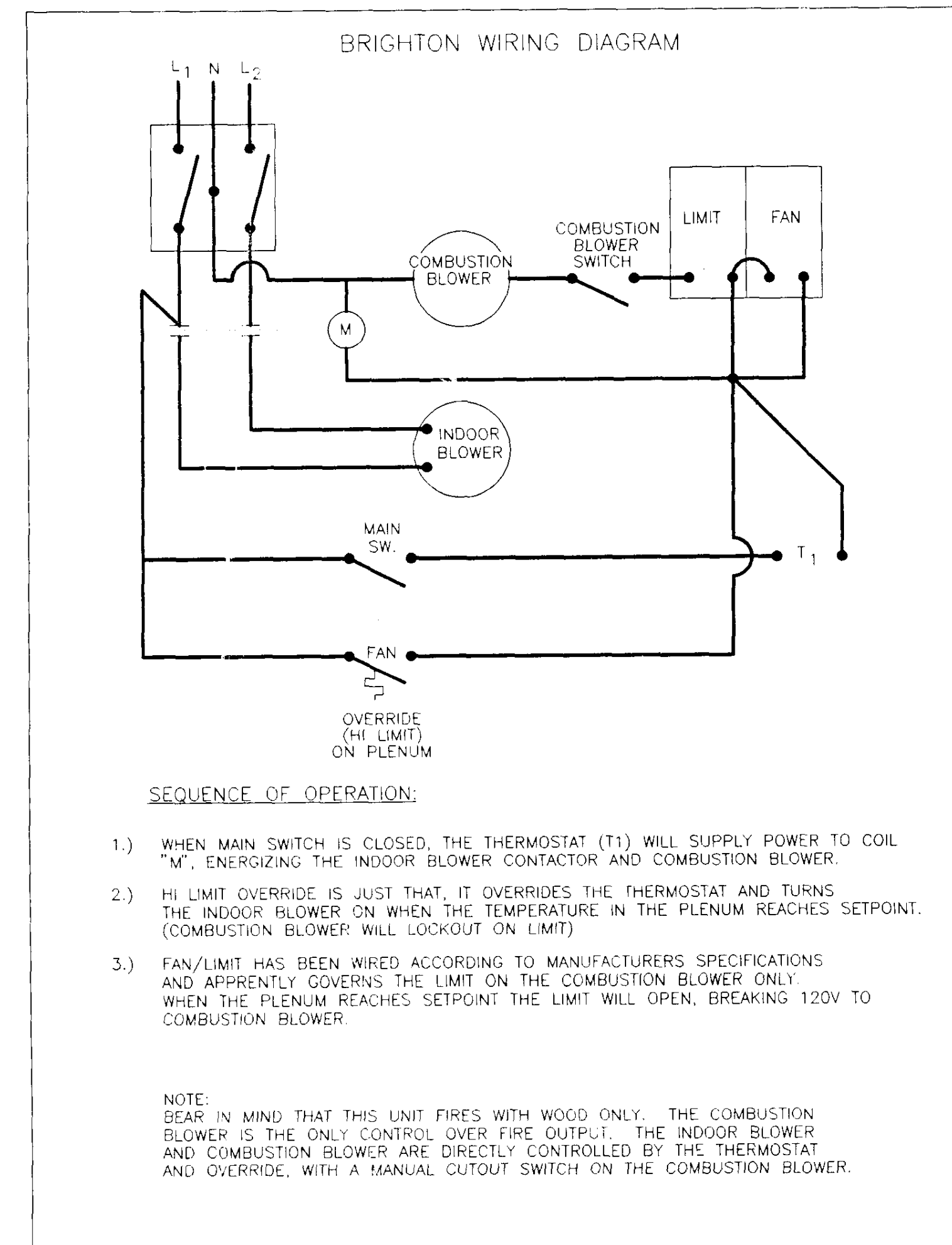
FURNACE ELEVATION

1/4" = 1'-0"



FURNACE PLAN

1/4" = 1'-0"



STATE LOCATION

N.T.S.