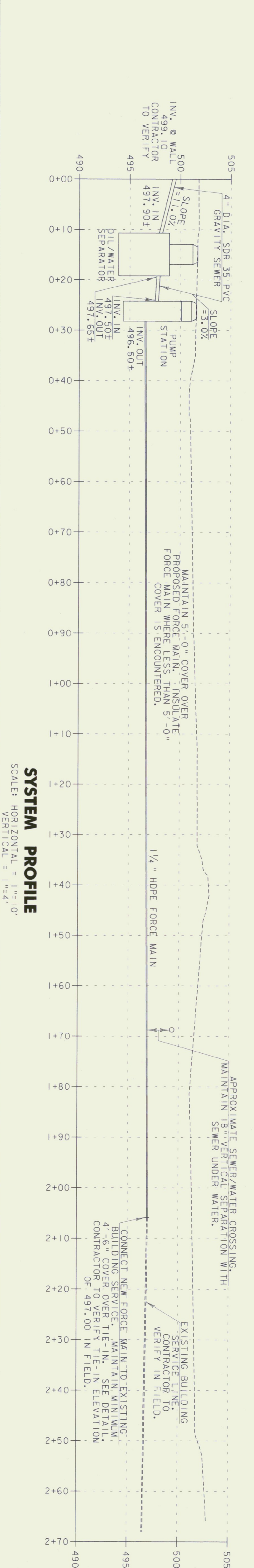


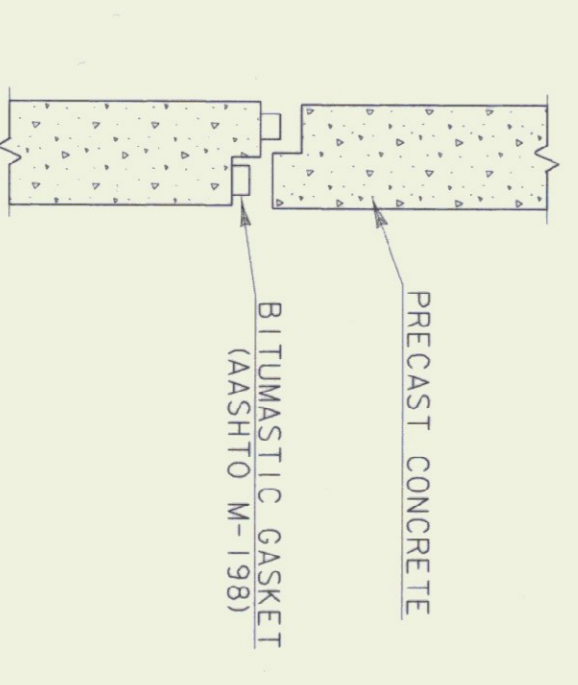
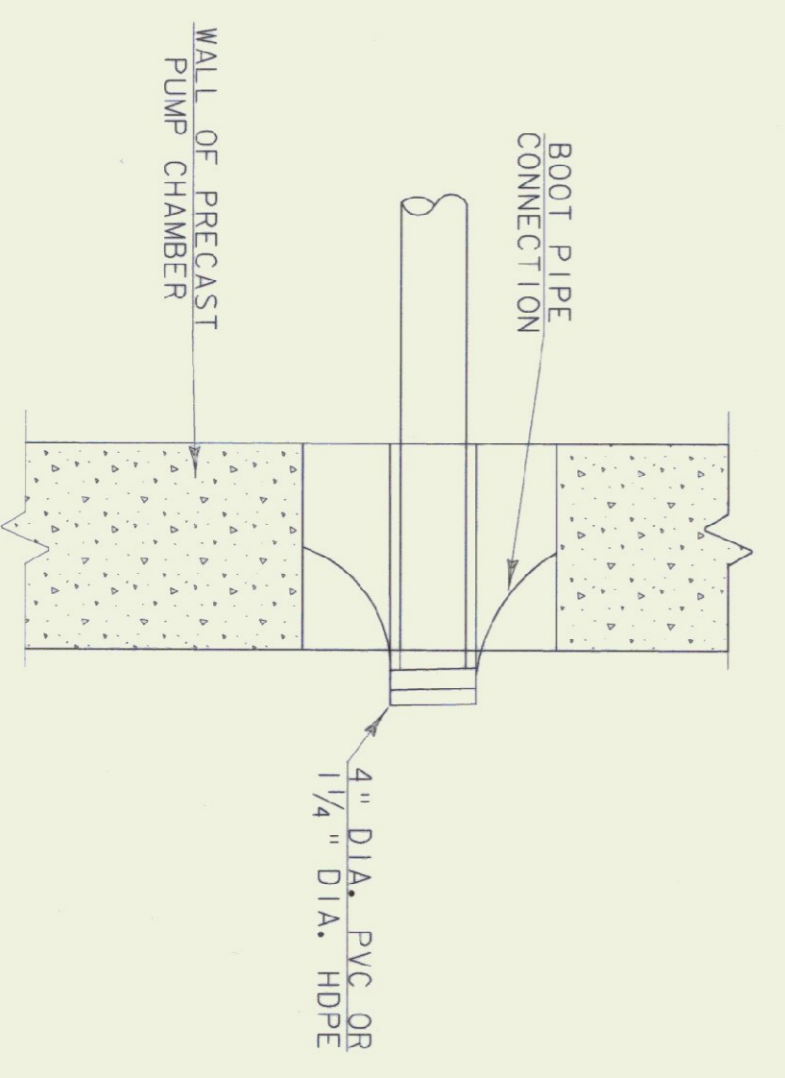
**VERTICAL SIMPLEX PUMP STATION DETAIL**

**TRENCH DETAIL - GENERAL DIMENSIONS (EARTH CONSTRUCTION)**

ALL DETAILS NOT TO SCALE



**SYSTEM PROFILE**  
SCALE: HORIZONTAL = 1"=40'  
VERTICAL = 1"=4'



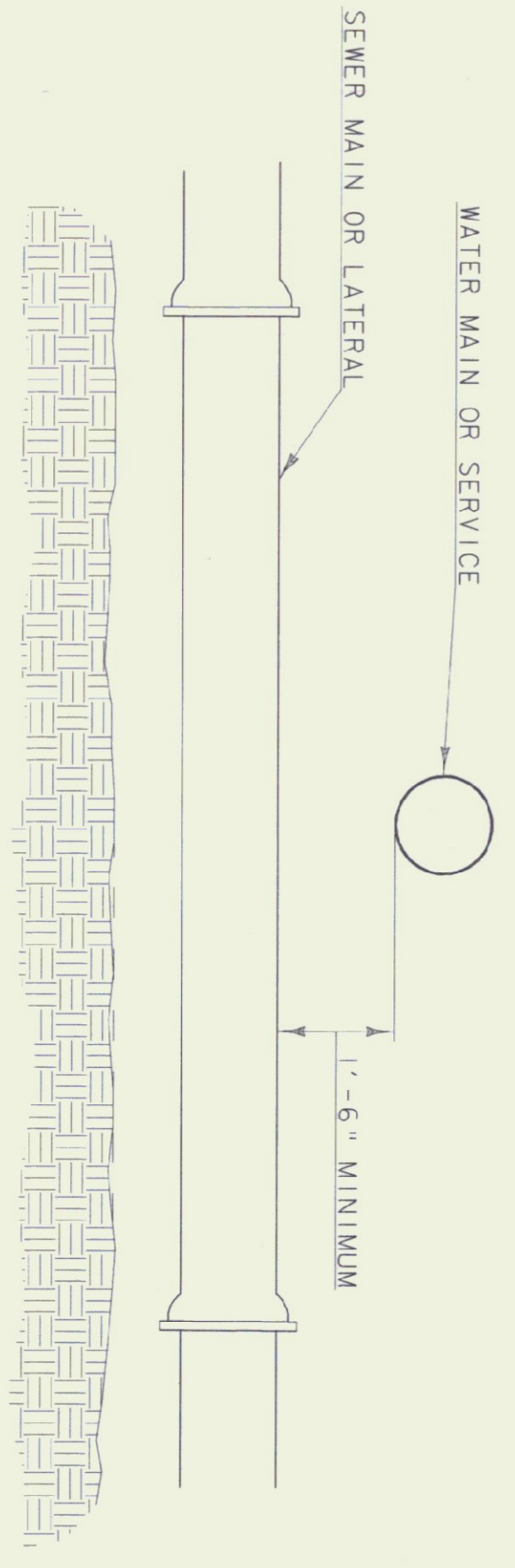
**PRECAST JOINT DETAIL**



CONTACT DIG SAFE 72 HOURS PRIOR TO CONSTRUCTION  
THE LOCATION OF ANY UTILITY INFORMATION SHOWN ON THIS PLAN IS APPROXIMATE. CLE ENGINEERING, INC. MAKES NO CLAIM TO THE ACCURACY OR COMPLETENESS OF UTILITIES SHOWN. 72 HOURS PRIOR TO ANY EXCAVATION ON SITE, THE CONTRACTOR SHALL CONTACT DIGSAFE AT 1-888-DIGSAFE.

**GRAVITY / FORCE MAIN TO PUMP CHAMBER CONNECTION**

**WATER / SEWER SEPARATION**



The Curtis House  
160 Route 15 South • Norwich, VT 05055  
Tel: 802-455-1800 • Fax: 802-455-1809  
email: cledesign@cle-engineers.com • www.cledesign.com  
Milne • New Hampshire • Vermont

PROJECT NAME: ISLAND POND STATE HIGHWAY GARAGE  
PROJECT NUMBER: 01-0120  
FILE NAME: 01-0120\dat.dgn  
PROJECT LEADER: CIH  
DESIGNED BY: JMS  
CHECKED BY: JMS  
DRAWN BY: PGJ  
PLOT DATE: 01/21/2002  
SHEET 3 OF 4

