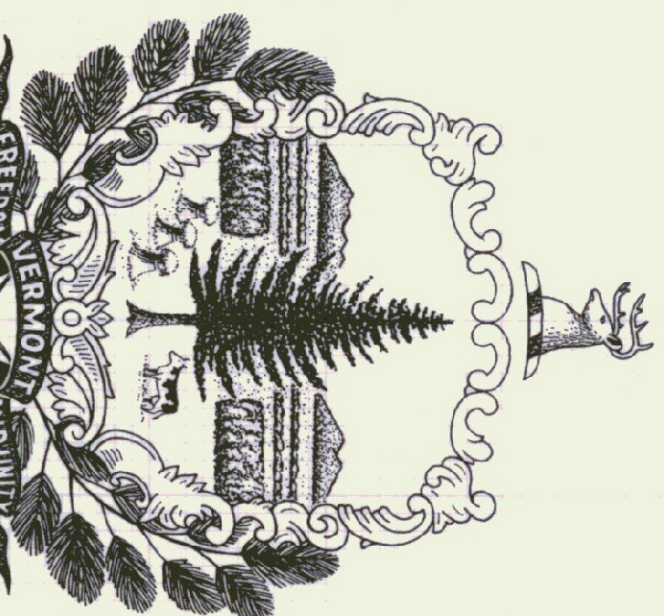


STATE OF VERMONT
AGENCY OF TRANSPORTATION
SAND AND STORAGE SHEDS
BRIGHTON, VERMONT

JUNE 1995



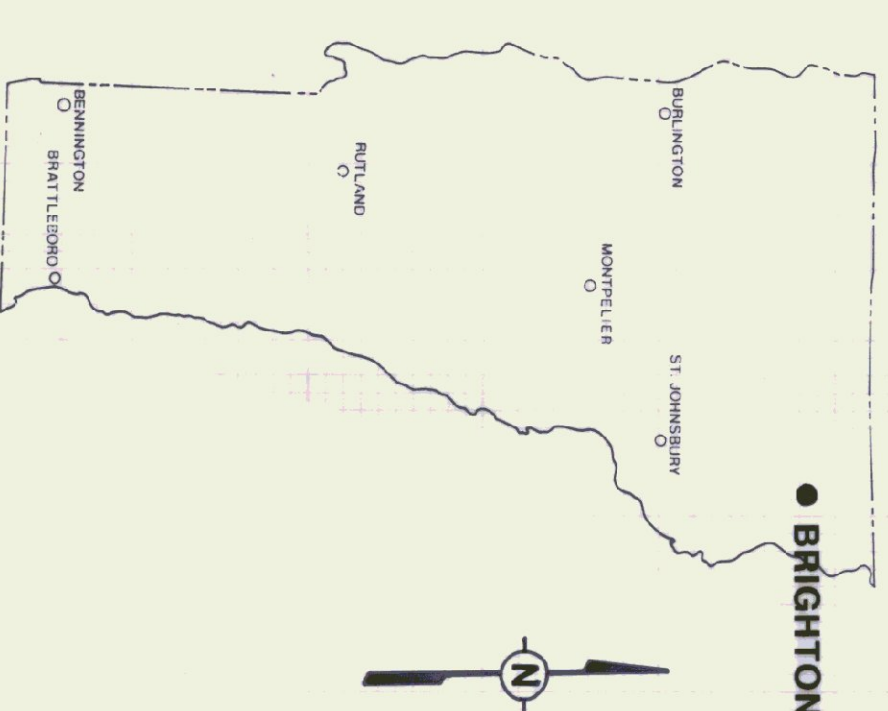
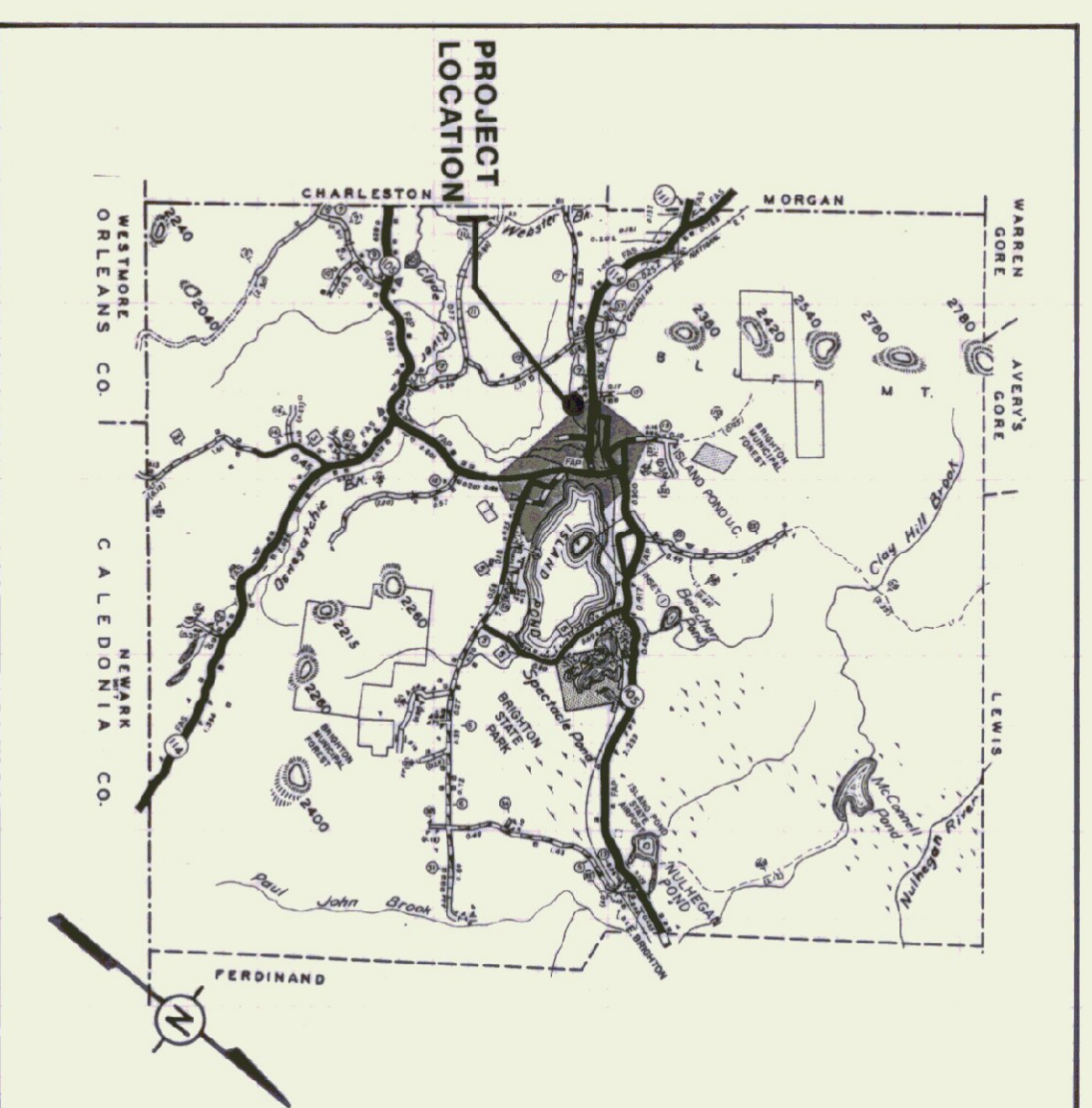
AGENCY OF ADMINISTRATION
DEPARTMENT OF STATE BUILDINGS
2 GOVERNOR AIKEN AVENUE
MONTPELIER, VERMONT 05602
JOHN J. ZAMPIERI, COMMISSIONER

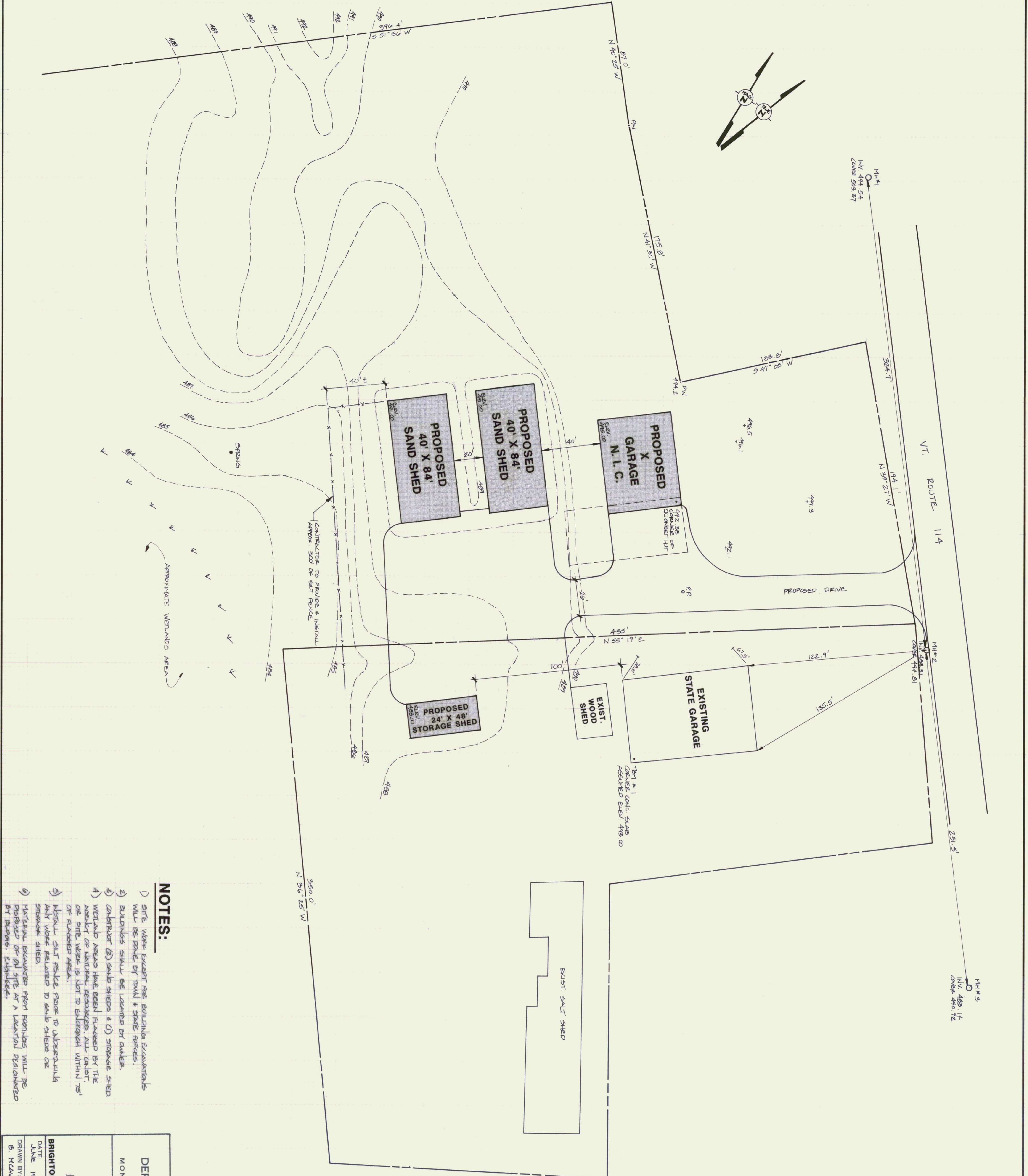
AGENCY OF TRANSPORTATION
133 STATE STREET
MONTPELIER, VERMONT 05602
PATRICK J. GARAHAN, SECRETARY

GOVERNOR HOWARD DEAN

INDEX OF DRAWINGS:

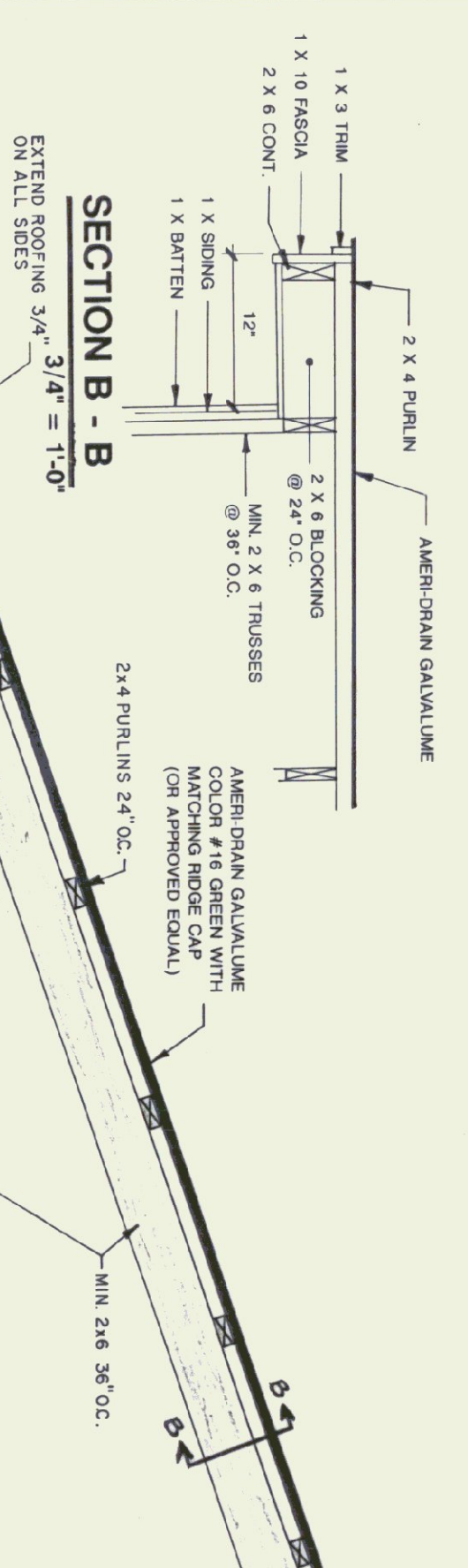
- T - 1 TITLE SHEET
- S - 1 SITE PLAN
- A - 1 SAND SHED
- A - 2 STORAGE SHED





- NOTES:**
- 1) SITE WORK EXCEPT FOR BUILDING EXCAVATIONS WILL BE DONE BY TOWN & STATE FORCES.
 - 2) BUILDINGS SHALL BE LOCATED BY OWNER.
 - 3) CONTRACTOR (B) SAND SHEDS & (C) STORAGE SHED
 - 4) WETLANDS AREAS HAVE BEEN FLAGGED BY THE AGENCY OR MUNICIPAL RESOURCES. ALL CULVERT OR SITE WORK IS TO BE LOCATED WITHIN 75' OF FLAGGED AREAS.
 - 5) METAL SALT POLICE FENCE TO SURROUND ALL WORK RELATED TO SAND SHEDS OR STORAGE SHED.
 - 6) MATERIAL EXCAVATED FROM FOUNDATIONS WILL BE DEPOSITED ON SITE AT A LOCATION DESIGNATED BY BUREAU ENGINEER.

STATE OF VERMONT			
DEPARTMENT OF STATE BUILDINGS			
AGENCY OF ADMINISTRATION			
VERMONT			
MONTPELIER.			
AGENCY OF TRANSPORTATION			
BRIGHTON MAINTENANCE FACILITY			
BRIGHTON			
DATE:	JUNE 1995	SCALE:	1" = 30'
DRAWN BY:	B. McAVOY	APPROVED BY:	R. VERRELLI
REVISIONS:		WG. NO.:	5-1
			2 OF 4



SECTION B - B
1/8" = 1'-0"

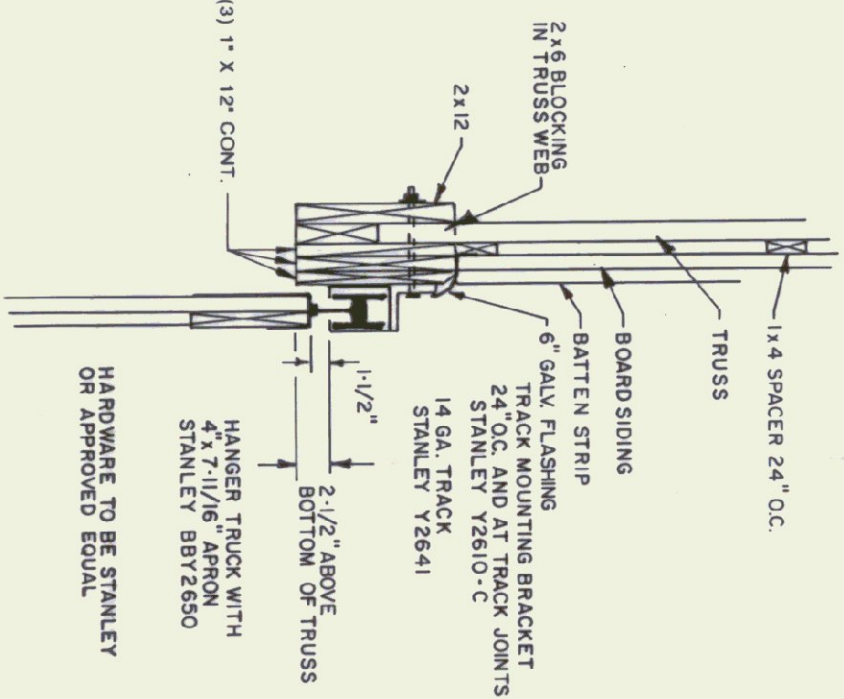
LUMBER NOTES

- ALL LUMBER NOT INDICATED AS SUPPLIED BY OWNER IS THE RESPONSIBILITY OF THE CONTRACTOR
- PLATE AND NAILERS IN CONTACT WITH CONCRETE TO BE CCA 40 TREATED
- BOARD AND BATTEN SIDING TO BE NATIVE PUGH SAWN WHITE PINE. BOARDS TO BE RANDOM WIDTH 10'-12" BATTEN WIDTH 4'
- BOARD SIDING AND BATTEN STRIPS TO BE FULL LENGTH WITH NO HORIZONTAL JOINTS
- ALL NAILS TO BE GALVANIZED

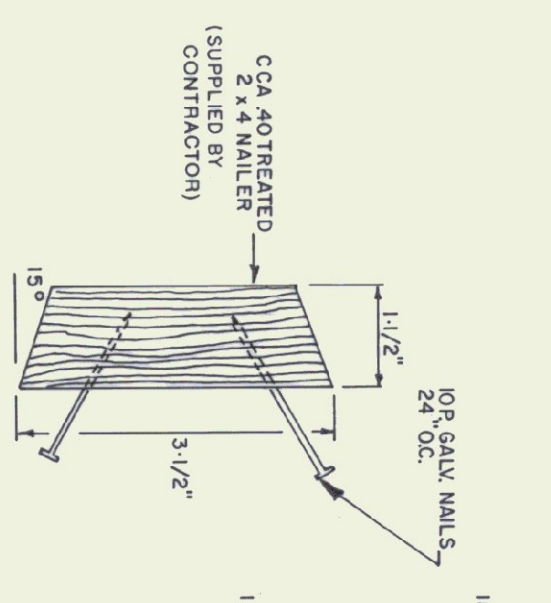
FINISH NOTES

- ALL ROOFING AND BATTENS TO BE STAINED WITH ONE COAT ON ALL SIDES FROM TRUSS TO RECEIVE ONE ADDITIONAL COAT OF STAIN
- STAIN TO BE OLIVINE OIL BASE SEMI TRANSPARENT CROWN BROWN # 713

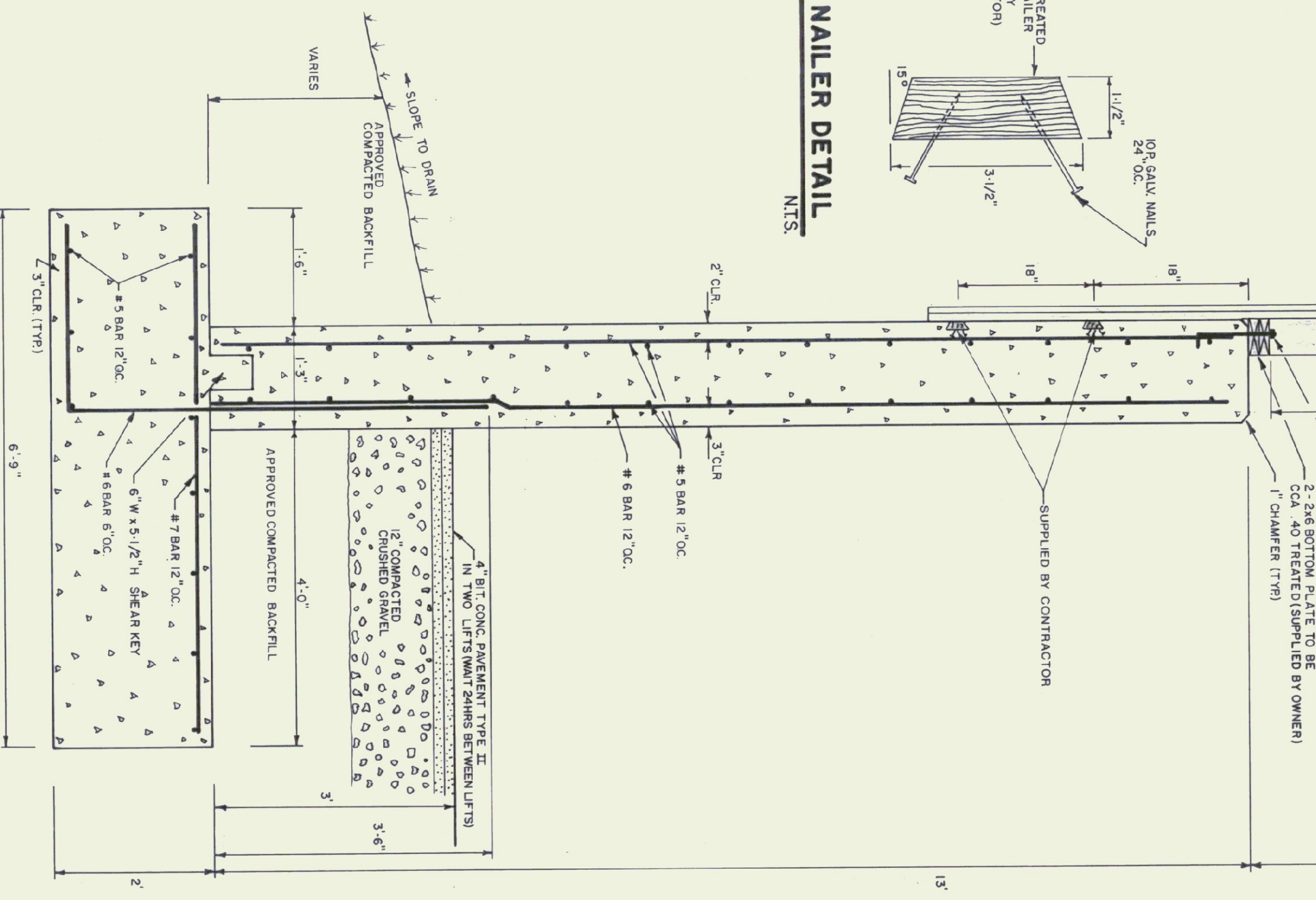
- TRUSS NOTES**
- TRUSS MANUFACTURER TO PROVIDE THE DEPT. OF STATE BUILDINGS ENGINEER A SET OF ENGINEERED & STAMPED DRAWINGS FOR APPROVAL PRIOR TO TRUSS MANUFACTURE
 - TRUSS MANUFACTURER TO PROVIDE THE CONTRACTOR WITH ALL NECESSARY INSTRUCTIONS FOR PROPER TRUSS INSTALLATION, ANCHORAGE, BRACING, LIFTING, ETC.
 - TRUSS DESIGN LOADS IN ACCORDANCE WITH THE 1987 BOCA, FOR VERMONT MINIMUM LOADS:
 - LIVE - PER 1987 B.O.C.A. FOR VT. (50 PSF MIN)
 - DEAD - AS CALCULATED FROM TRUSS & ROOF MATERIALS & IN ADDITION 5 PSF ON BOTTOM CHORD
 - WIND - 25 P.S.F.
 - DIAGONAL WIND BRACING PER TRUSS MANUFACTURER



TRACK MOUNT DETAIL
NTS.

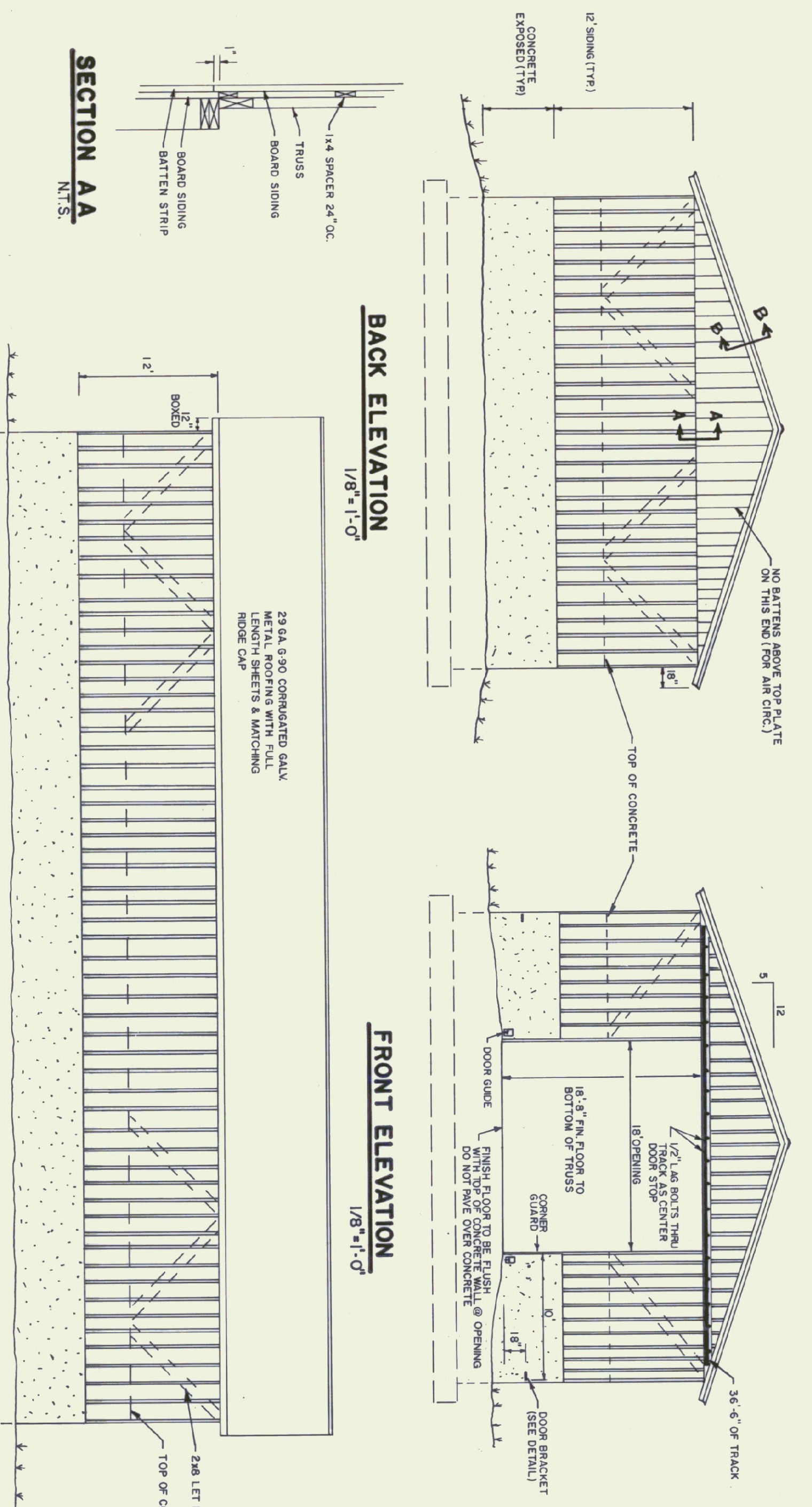


MAILER DETAIL
NTS.



TYPICAL WALL SECTION
3/4\"/>

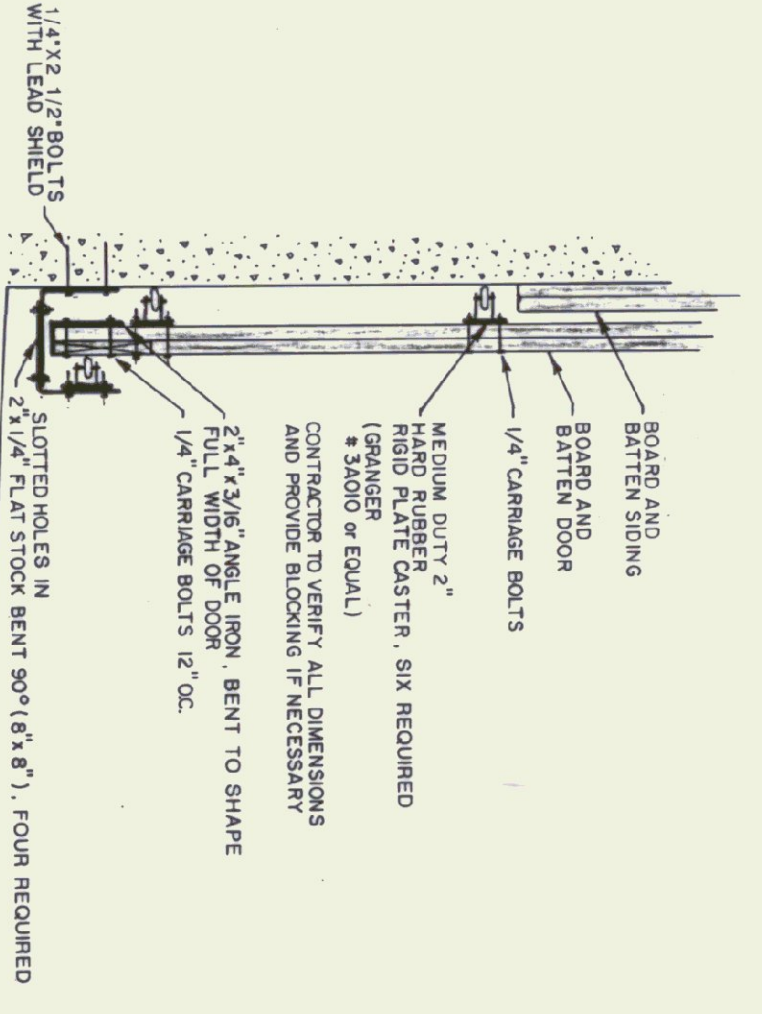
NOTE: ALL 2X6 AND 2X8 FRAMING LUMBER AND BOARD AND BATTEN SIDING WILL BE ROUGH SAWN AND SUPPLIED BY OWNER. (STATE OF VERMONT) CONTRACTOR TO SUPPLY ALL OTHER MATERIAL INCLUDING BOARD AND BATTEN FOR DOORS



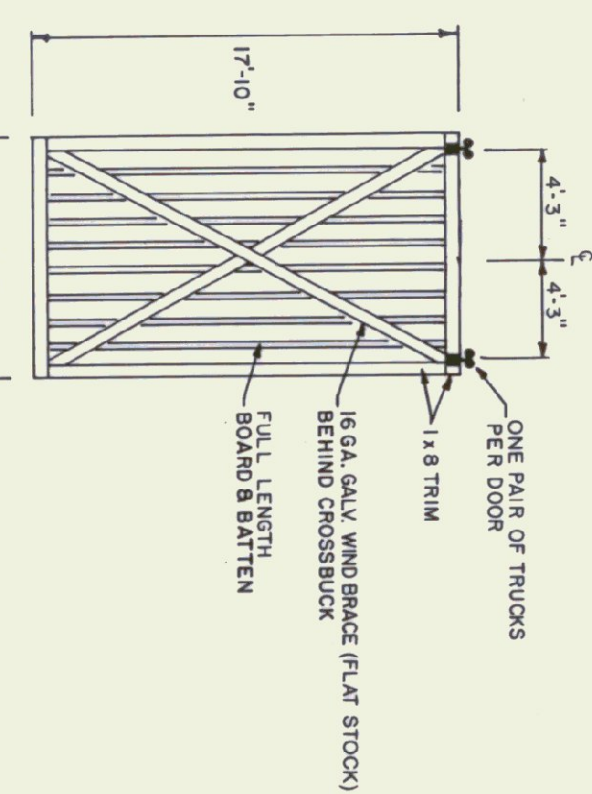
BACK ELEVATION
1/8\"/>

FRONT ELEVATION
1/8\"/>

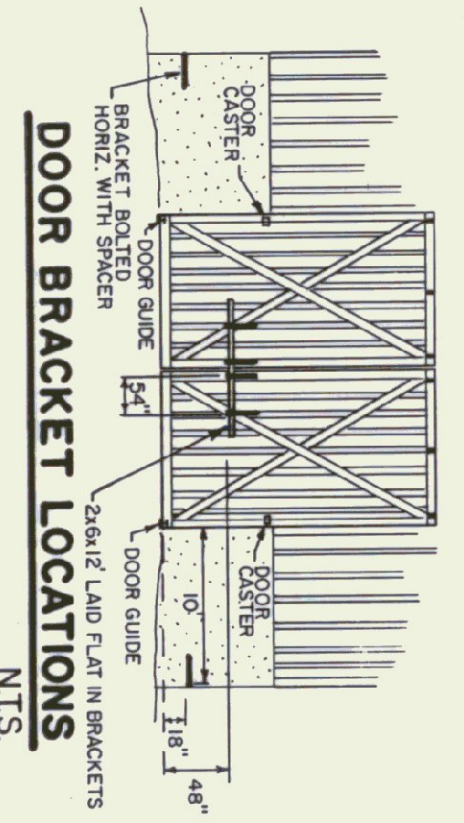
SIDE ELEVATION
1/8\"/>



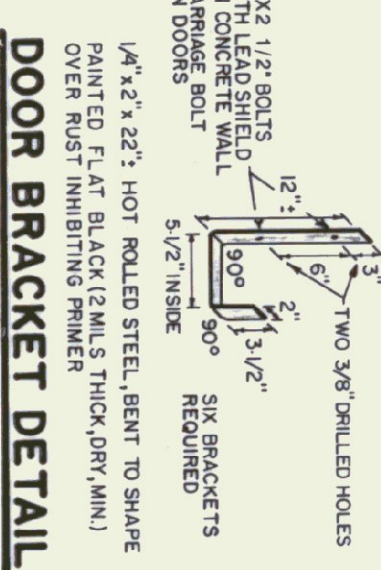
DOOR GUIDE DETAIL
NTS.



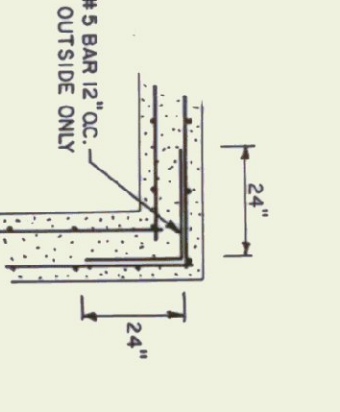
DOOR DETAIL
NTS.



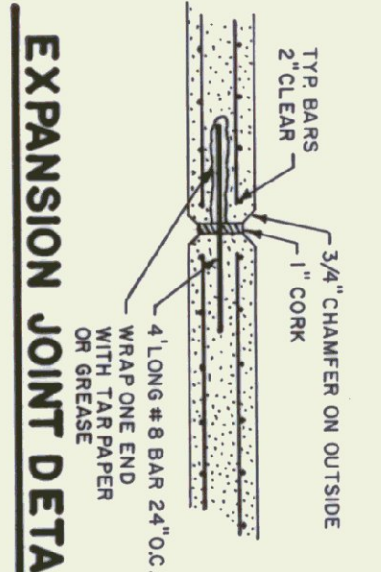
DOOR BRACKET LOCATIONS
NTS.



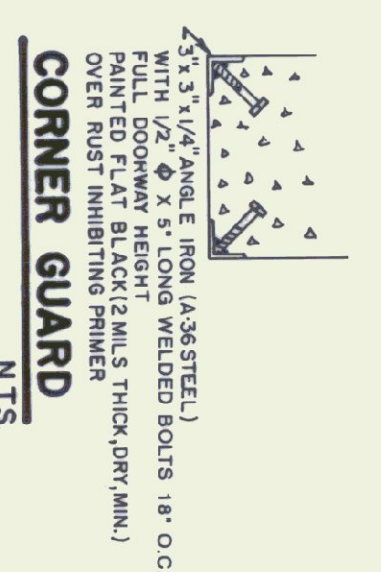
DOOR BRACKET DETAIL
NTS.



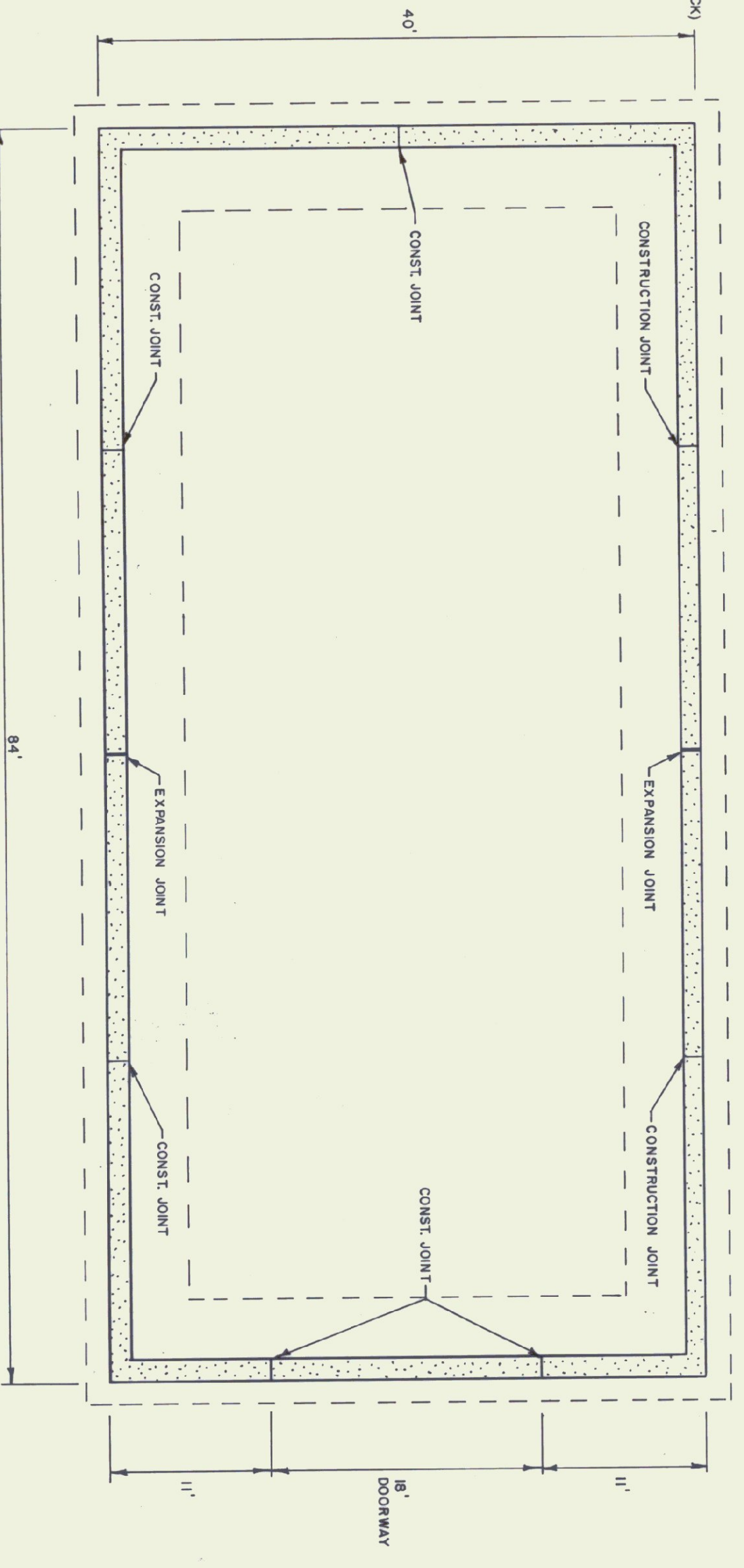
CORNER DETAIL
NTS.



EXPANSION JOINT DETAIL
NTS.



CORNER GUARD
NTS.



FOUNDATION PLAN
1/8\"/>

STATE OF VERMONT			
DEPARTMENT OF STATE BUILDINGS			
AGENCY OF ADMINISTRATION			
VERMONT			
AGENCY OF TRANSPORTATION			
40' X 84' SAND SHED			
BRIGHTON MAINTENANCE FACILITY			
BRIGHTON			
DATE: JUNE 1995	SCALE: AS NOTED	REVISIONS:	DWG. NO. A-1
DRAWN BY: B. MCAVITT	APPROVED BY: K. TREBAULT		3 OF 4

