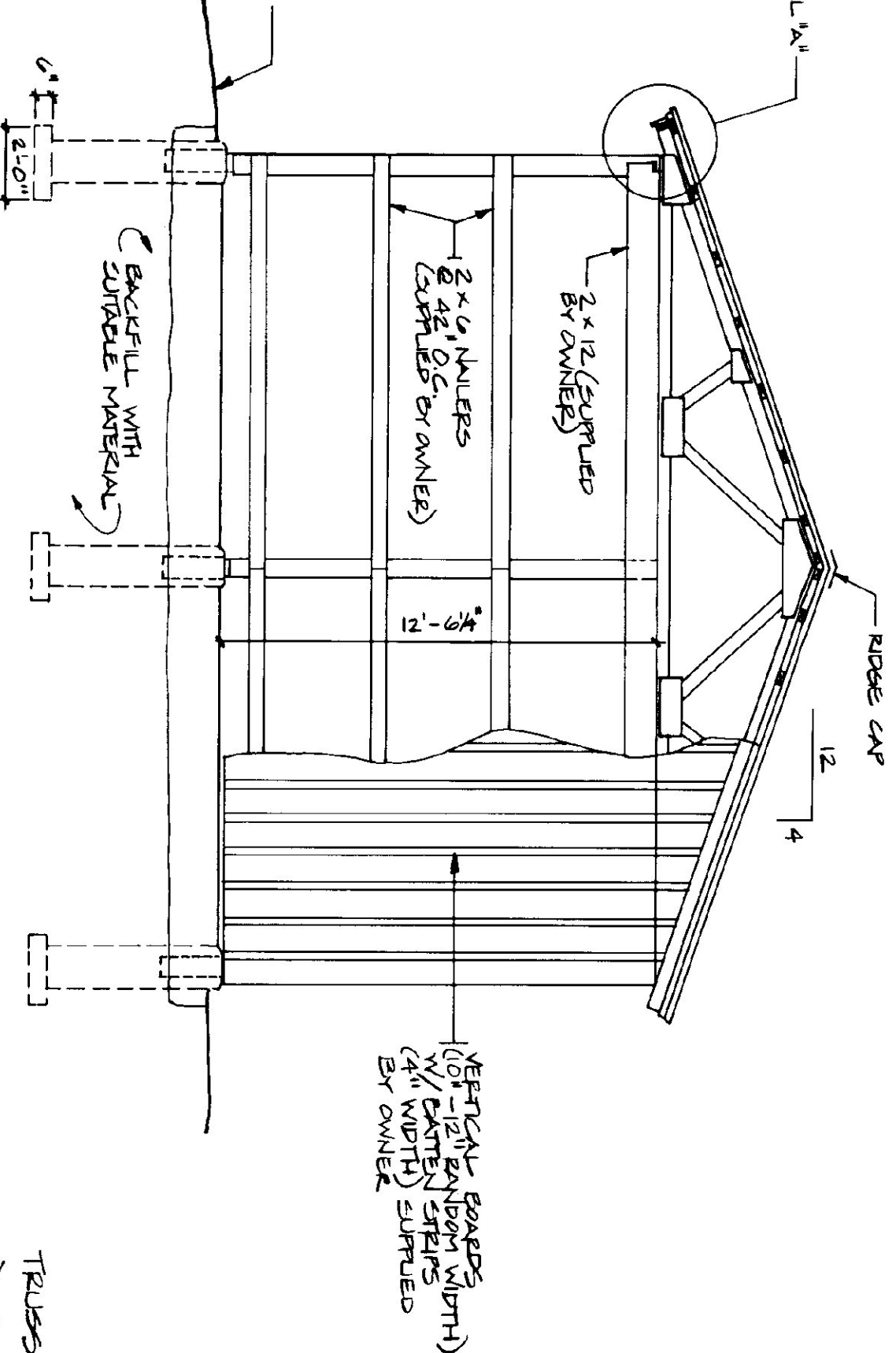


FRONT ELEVATION

SCALE: 1/4" = 1'-0"

- LUMBER SUPPLIED BY OWNER
- 2x6 HEADERS
 - 2x6 NAILERS
 - 2x12 BEAMS
 - 2x BEAMS
 - 8x8x12 COLUMNS
- CONTRACTOR REQUIRED TO FURNISH OTHER LUMBER.



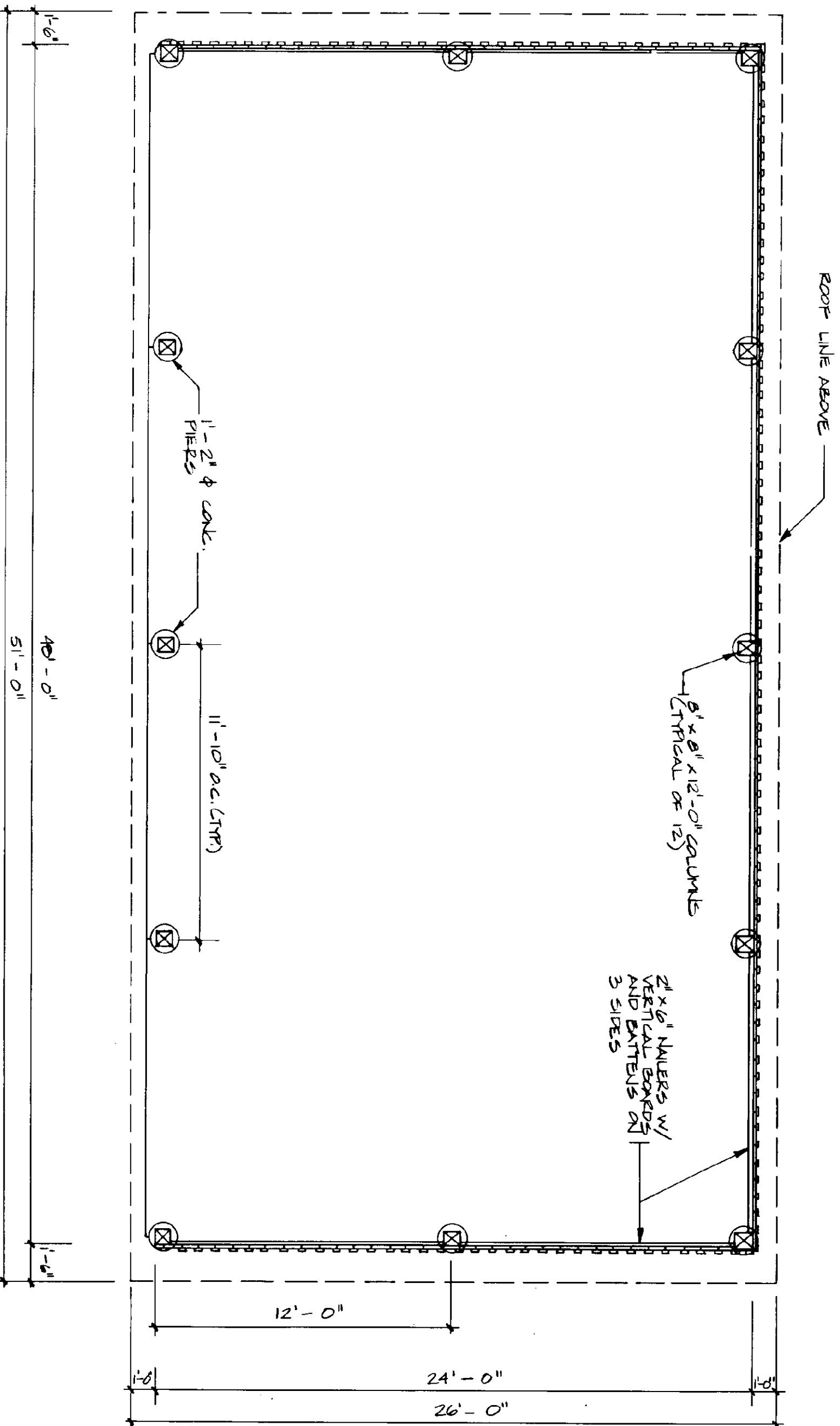
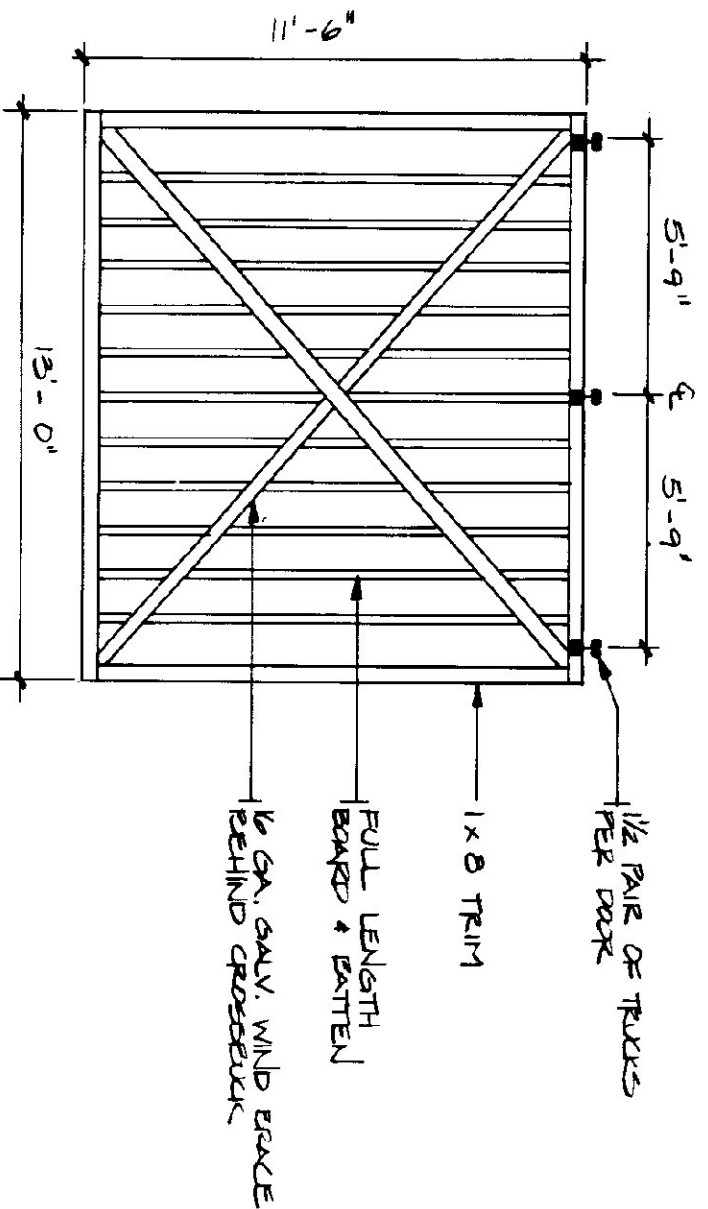
END ELEVATION

SCALE: 1/4" = 1'-0"

- TRUSS NOTES:
- 1) TRUSS MANUFACTURER TO PROVIDE THE REST OF STATE BUILDINGS APPROVAL & SET OF FABRICATION & SHIPMENT DRAWINGS FOR APPROVAL PRIOR TO TRUSS MANUFACTURE.
 - 2) TRUSS MANUFACTURER TO PROVIDE THE CONTRACTOR WITH ALL NECESSARY ON-SITE TRUSS INSTALLATION, ANCHORAGE, BRACING, LIFTING, ETC.
 - 3) TRUSS DESIGN LOADS IN ACCORDANCE WITH THE 1987 B.O.C.A. MINIMUM LOADS:
 - LIVE — PER 1987 B.O.C.A. FOR VT (50 P.S.F. MIN.)
 - DEAD — AS CALCULATED FROM TRUSS & ROOF MATERIALS
 - WIND — 25 P.S.F.
 - DIAGONAL WIND BRACING PER TRUSS MANUF.

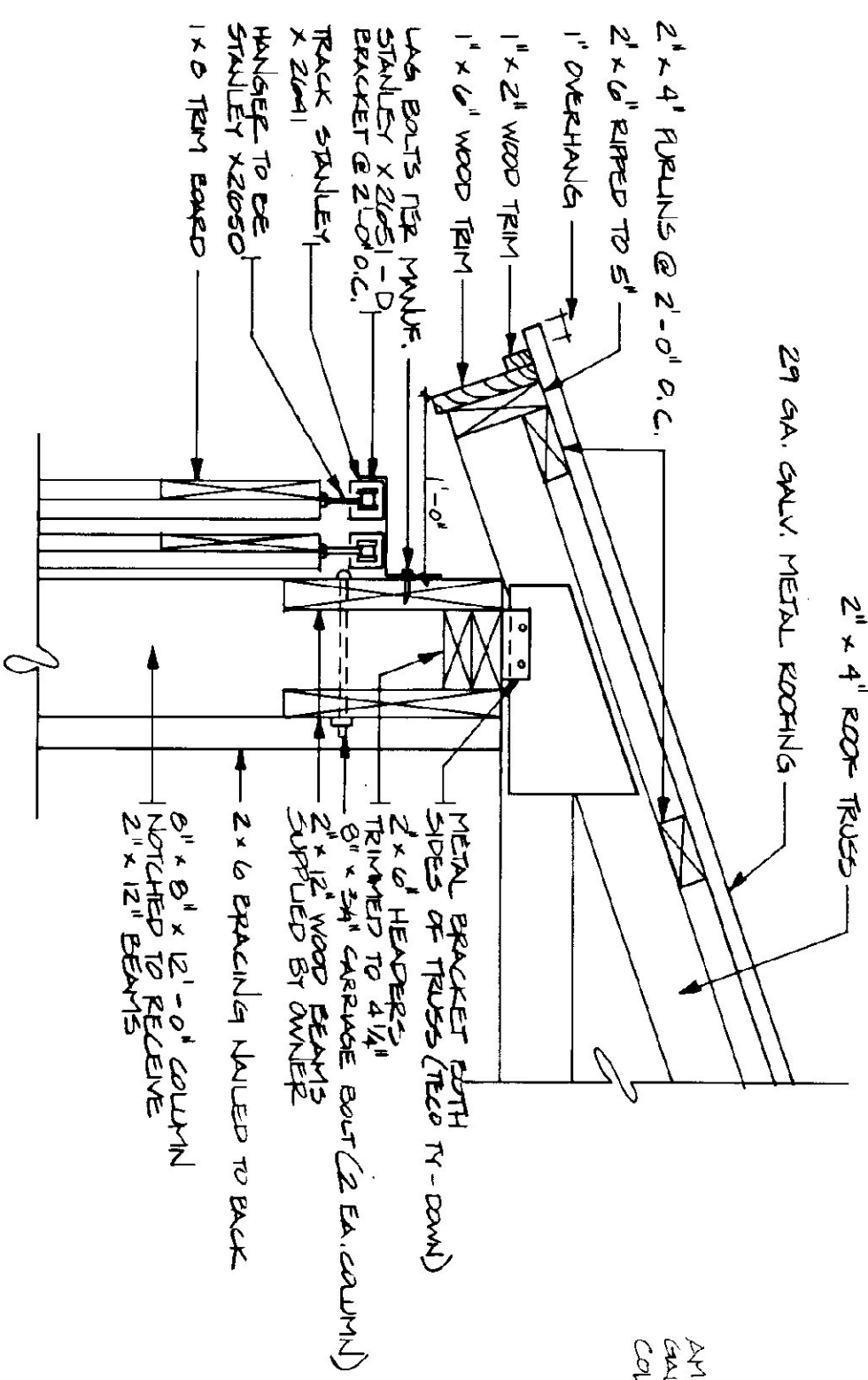
DOOR DETAIL

N.T.S. (TYPICAL OF 4)



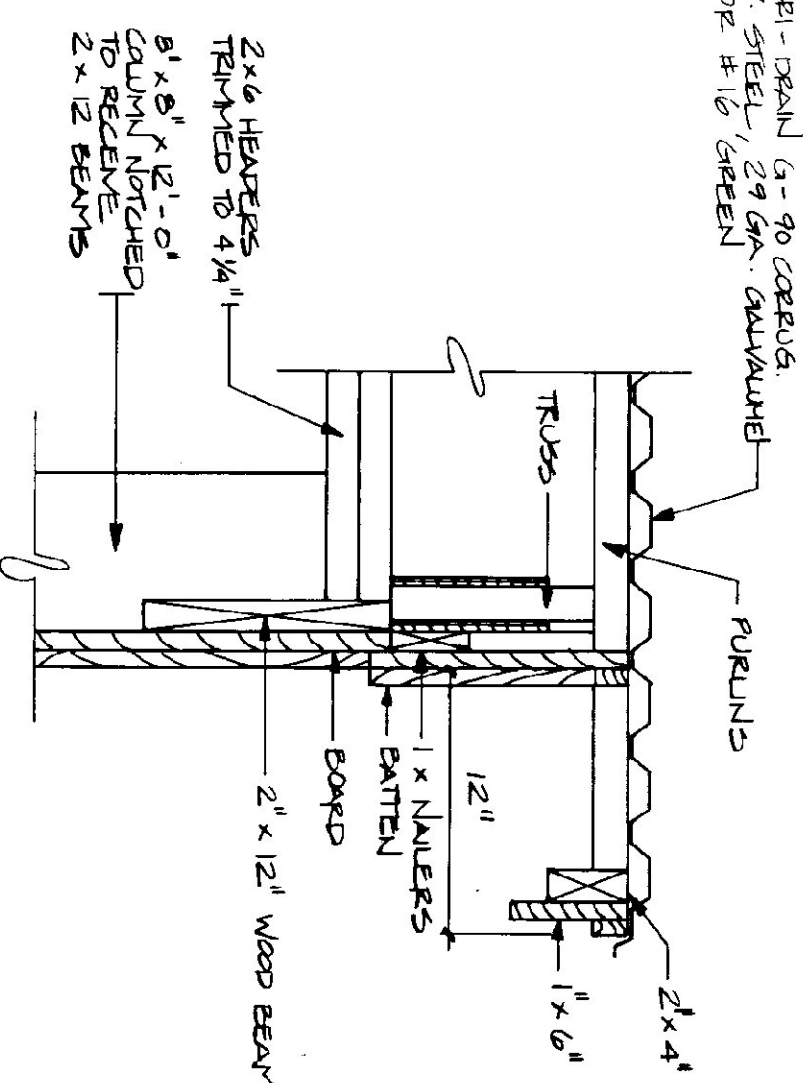
SHED PLAN

SCALE: 1/4" = 1'-0"



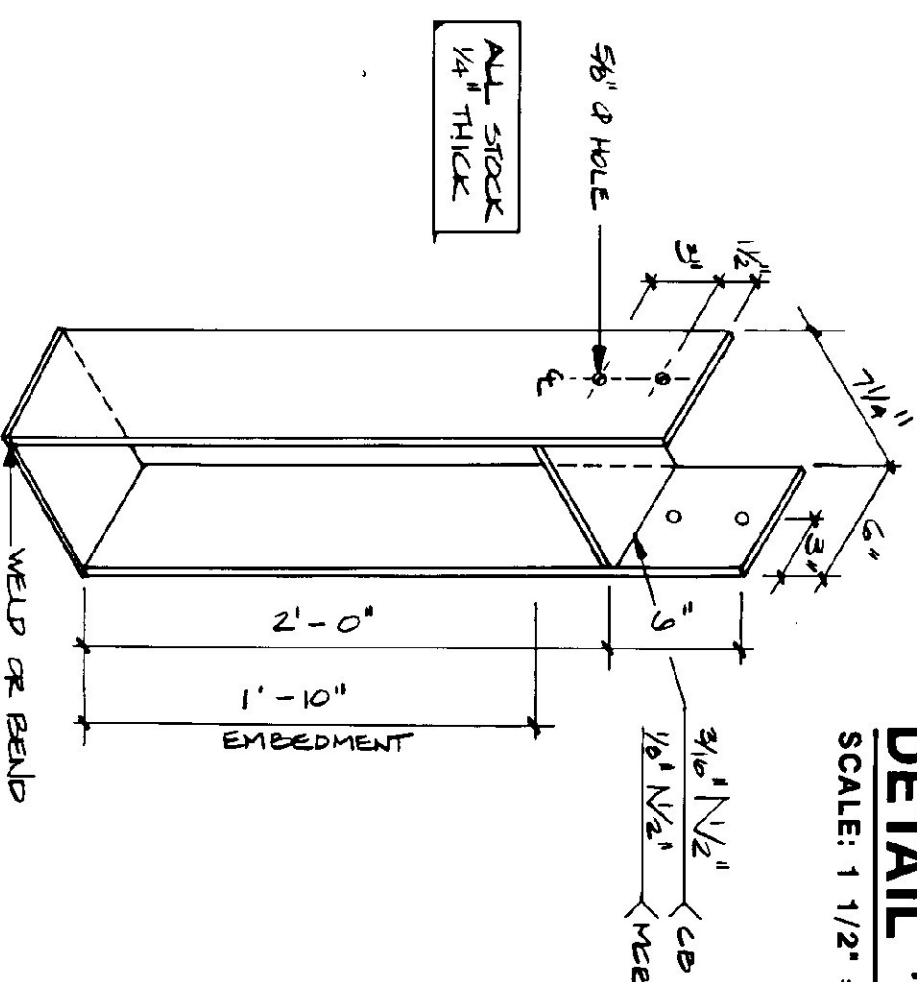
DETAIL "A"

SCALE: 1 1/2" = 1'-0"



RAKE DETAIL

SCALE: 1 1/2" = 1'-0"



COLUMN BASE ANCHOR

SCALE: 1 1/2" = 1'-0"

- LUMBER NOTES:
- 1) PILES & NAILERS IN CONTACT WITH CONCRETE TO BE C.C.A. 40 TREATED.
 - 2) BOARD & BATTEN SOLING TO BE LIGHTWEIGHT SPANN WHITE PINE BEAVERED TO BE 5/8\"/>
- FINISH NOTES:
- 1) ALL BEAMS & BATTENS TO BE STAINED WITH INSTALLATION.
 - 2) AFTER INSTALLATION EXTERIOR SOLING TO RECEIVE ONE ADDITIONAL COAT OF STAIN.
 - 3) STAIN TO BE OLYMPIC OIL-BASE SEMI-TRANSPARENT DEKOR'S STAIN # 715.

STATE OF VERMONT		DEPARTMENT OF STATE BUILDINGS	
AGENCY OF ADMINISTRATION		VERMONT	
AGENCY OF TRANSPORTATION			
24' X 48' STORAGE SHED			
BRIGHTON MAINTENANCE FACILITY			
BRIGHTON VERMONT			
DATE: JUNE 1995	SCALE: AS NOTED	REVISIONS:	DWG. NO. A-2
DRAWN BY: B. HANCOY	APPROVED BY: R. FREEMAN		4 OF 4