

ELECTRICAL LEGEND

- FLUORESCENT LIGHT FIXTURE
- LIGHT FIXTURE
- ⊗ EMERGENCY LIGHT
- ⊗ EXIT LIGHT
- ⊗ SWITCH - SINGLE POLE - 48" AFF.
- ⊗ SWITCH - 3-WAY
- ⊗ SWITCH - FRESHWATER
- ⊗ SWITCH - LOW WATER CUTOFF
- ⊗ SWITCH - HIGH TEMPERATURE LIMIT
- ⊗ SWITCH - BURNER SAFETY
- ⊗ SWITCH - MOTOR STARTER
- ⊗ EXHAUST FAN
- ⊗ ELECTRIC PANEL
- ⊗ DUPLEX RECEPTACLE - 40" AFF.
- ⊗ DUPLEX RECEPTACLE
- ⊗ COUNTER HEIGHT
- ⊗ SPECIAL PURPOSE OUTLET
- ⊗ VOICE/DATA OUTLET
- ⊗ JUNCTION BOX
- ⊗ THERMOSTAT
- ⊗ SAFETY DISCONNECT
- ⊗ FIRE ALARM PULL STATION - 48" AFF.
- ⊗ FIRE ALARM HORN/STROBE
- ⊗ FIRE ALARM STROBE
- ⊗ FLOW SWITCH
- ⊗ TAMPER SWITCH
- ⊗ ABOVE FINISHED FLOOR
- ⊗ ELECTRICAL CONTRACTOR
- ⊗ GROUND FAULT INTERRUPTER
- ⊗ MECHANICAL CONTRACTOR
- ⊗ WEATHER PROOF

PANEL DESIGNATOR

PANEL: MDP LOCATION: STORAGE ROOM
 FED FROM: MAIN SERVICE SAFETY SWITCH
 MOUNTING: SURFACE
 MAINS: 400 AMP, MAIN LUG ONLY, 120/240 VOLT SINGLE PHASE, 3 WIRE
 CONNECTED LOAD: 85 KW

CKT NO.	KW LOAD	DESCRIPTION	BREAKER		DESCRIPTION	KW LOAD	CKT NO.
			P AMP	P AMP			
1	10.0	AHU-1	2	100	PANEL P1	13.2	2
3							
5	0.2	FIRE ALARM PANEL	1	20*	PANEL P2	49.0	6
7	0.1	TELEPHONE TERM. BOARD	1	20*			8
9	0.5	SITE LIGHTS	1	20	UNIT HEATERS	0.7	10
11	1.1	LIGHTING	1	20	OVERHEAD DOOR	1.0	12
13	0.6	LIGHTING	1	20	OVERHEAD DOOR	1.0	14
15		SPARE	1	20	RECEPTACLES	0.5	16
17		SPARE	1	20	EXHAUST FAN	0.3	18
19		SPARE	1	20			
21		SPACE	1	20	SPACE		22
23		SPACE					24
25		SPACE					26
27		SPACE					28
29		SPACE					30
31		SPACE					32
33		SPACE					34
35		SPACE					36
37		SPACE					38
39		SPACE					40
41		SPACE					42

* PROVIDE HANDLE LOCK

PANEL DESIGNATOR

PANEL: P1 LOCATION: BOILER ROOM
 FED FROM: MDP
 MOUNTING: SURFACE
 MAINS: 125 AMP, MAIN LUG ONLY, 120/240 VOLT SINGLE PHASE, 3 WIRE
 CONNECTED LOAD: 13.2 KW

CKT NO.	KW LOAD	DESCRIPTION	BREAKER		DESCRIPTION	KW LOAD	CKT NO.
			P AMP	P AMP			
1	1.5	BOILER	1	20	COIL, AIR FAN (CAF)	3	2
3		CIRCULATORS	1	20		3.9	4
5		BOILER CONTROL, CIRC.	1	20		6	6
7		OFFICE RECEPTACLES	1	20	LIGHTING	1.4	8
9		OFFICE RECEPTACLES	1	20	LIGHTING	1.1	10
11		5 RECEPTACLES	1	20	1 LIGHTING	0.8	12
13		5 RECEPTACLES	1	20	1 SPARE	1.4	14
15		BOILER ROOM	1	20	1 SPARE	16	16
17		SPACE	1	20	1 SPARE	18	18
19		SPACE	1	20	1 SPARE	20	20
21		SPACE					22
23		SPACE					24
25		SPACE					26
27		SPACE					28
29		SPACE					30
31		SPACE					32

PANEL DESIGNATOR

PANEL: P2 LOCATION: BOILER ROOM
 FED FROM: MDP
 MOUNTING: SURFACE
 MAINS: 225 AMP, MAIN LUG ONLY, 120/240 VOLT SINGLE PHASE, 3 WIRE
 CONNECTED LOAD: 49.0 KW

CKT NO.	KW LOAD	DESCRIPTION	BREAKER		DESCRIPTION	KW LOAD	CKT NO.
			P AMP	P AMP			
1	8.0	WELDING OUTLET	2	50	OFFICE / TOILET	1.6	2
3		WELDING OUTLET	2	50	SHOP RECEPTACLES	5	4
5	8.0	WELDING OUTLET	2	50	SHOP RECEPTACLES	5	6
7		WELDING OUTLET	2	50	SHOP RECEPTACLES	5	8
9	8.0	WELDING OUTLET	2	50	SHOP RECEPTACLES	5	10
11		WELDING OUTLET	2	50	SHOP RECEPTACLES	5	12
13	8.0	WELDING OUTLET	2	50	SHOP RECEPTACLES	5	14
15		WELDING OUTLET	2	50	SHOP RECEPTACLES	5	16
17	1.0	OVERHEAD DOOR	1	20	EXHAUST FAN (EF-5)	1.5	18
19	1.0	OVERHEAD DOOR	1	20			20
21	1.0	OVERHEAD DOOR	1	20	(R-1) HEATERS(S)	0.9	22
23	1.0	OVERHEAD DOOR	1	20	(R-1) HEATERS(S)	0.6	24
25	1.0	OVERHEAD DOOR	1	20	(R-1) HEATERS(S)	0.6	26
27	5.0	AIR COMPRESSOR	2	60	20		28
29		SPACE					30
31		SPACE					32
33		SPACE					34
35		SPACE					36
37		SPACE					38
39		SPACE					40
41		SPACE					42

SPECIAL PURPOSE OUTLET SCHEDULE

KEY	DESCRIPTION	SUPPLIED BY	INSTALLED BY	ELECTRICAL REQUIREMENTS COND. & CAP. PROVIDED	VOLTS	AMPS	TYPE	STARTER PROVIDED BY	INSTALLED BY	ELECTRICAL DISCONNECT TYPE	PROVIDED BY	REMARKS
1	OVERHEAD DOOR	GC	GC		120	10	MAG	ES	EC	20A-1P	EC	CONTROL WIRING BY EC
2	AIR COMPRESSOR	OWNER	OWNER	SEALTITE	240	32	MAG	OWNER	EC	NEMA 3P	EC	
3	WELDER OUTLET - 50 AMP	EC	EC	6-50R	250	50			EC		EC	
4	AIR HANDLING UNIT - AHU-1	MC	MC		240	100	MAG	MC	FACTORY	100A-2P	EC	CONTROL WIRING BY EC
5	INTRA-RED HEATER - IH-1	MC	MC		120	6	RELAY	MC	FACTORY	SWITCH-SWICH	EC	LINE VOLT TSTAT
6	EXHAUST FAN - EF-1	MC	MC		120	7	MANUAL	MC	EC		EC	LINE VOLT DAMPER MTR
7	EXHAUST FAN - EF-4	MC	MC		120	3	MANUAL	MC	EC		EC	LINE VOLT DAMPER MTR
8	EXHAUST FAN - EF-5	MC	MC		240	10	MANUAL	MC	EC		EC	

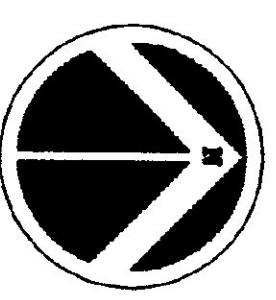
LIGHTING FIXTURE SCHEDULE

TYP	MANUFACTURER & MODEL	MOUNTING	LAMPS	REMARKS
A	GE - UIM 2550A5171A	15'-6" AFF TO BOTTOM OF FIXTURE	250 W - HPS	SAFETY CHAIN
A1	SAME AS A EXCEPT WITH AUTO SWITCHED QUARTZ	15'-6" AFF TO BOTTOM OF FIXTURE	250W - HPS	150 W QUARTZ LAMP
B	HADCO VS 1040 HXL P1	WALL, 10' ABOVE GRADE	35W - HPS	PHOTOCELL CONTROL
C	HADCO VS 1040 HXL P1	WALL, 15' ABOVE GRADE	150W - HPS	PHOTOCELL CONTROL
D	PRESCOUTE CBMC-TL30	RECESSED	(1)-13W QUAD	
G	ROBERT GROUP SJO-SP-13	SURFACE	(3)-PL13	
EF	FURNISHED BY MC	RECESSED	NONE	SWITCH BY EC
FA	COLUMBIA WC2-232 EBB-120	SURFACE	FO327B, 3000 K	
FB	COLUMBIA CSR 4-248H0	CHAIN HUNG	2 - F48T124H0	
FC	COLUMBIA CSR 8-296H0	CHAIN HUNG	2 - F98T124H0	
FD	COLUMBIA LUG-232-4EB8-120-WL	WALL 10' AFF	4 - F30327B, 2700 K	
FE	COLUMBIA ACH-132-EB8-120-EL	WALL 12' AFF	(1)-FO327B, 3000 K	
FL	PRESCOUTE ED52-NB-120	SURFACE	INCLUDED	
⊗	PRESCOUTE EXTLED - R - EM-120	SURFACE	LED	

PANEL DESIGNATOR

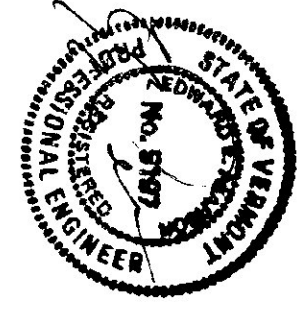
PANEL: P2 LOCATION: BOILER ROOM
 FED FROM: MDP
 MOUNTING: SURFACE
 MAINS: 225 AMP, MAIN LUG ONLY, 120/240 VOLT SINGLE PHASE, 3 WIRE
 CONNECTED LOAD: 49.0 KW

CKT NO.	KW LOAD	DESCRIPTION	BREAKER	BREAKER	DESCRIPTION	KW LOAD	CKT NO.
P AMP	P AMP						
1	8.0	WELDING OUTLET	2	50	OFFICE / TOILET	1.6	2
3		WELDING OUTLET	2	50	SHOP RECEPTACLES	5	4
5	8.0	WELDING OUTLET	2	50	SHOP RECEPTACLES	5	6
7		WELDING OUTLET	2	50	SHOP RECEPTACLES	5	8
9	8.0	WELDING OUTLET	2	50	SHOP RECEPTACLES	5	10
11		WELDING OUTLET	2	50	SHOP RECEPTACLES	5	12
13	8.0	WELDING OUTLET	2	50	SHOP RECEPTACLES	5	14
15		WELDING OUTLET	2	50	SHOP RECEPTACLES	5	16
17	1.0	OVERHEAD DOOR	1	20	EXHAUST FAN (EF-5)	1.5	18
19	1.0	OVERHEAD DOOR	1	20			20
21	1.0	OVERHEAD DOOR	1	20	(R-1) HEATERS(S)	0.9	22
23	1.0	OVERHEAD DOOR	1	20	(R-1) HEATERS(S)	0.6	24
25	1.0	OVERHEAD DOOR	1	20	(R-1) HEATERS(S)	0.6	26
27	5.0	AIR COMPRESSOR	2	60	20		28
29		SPACE					30
31		SPACE					32
33		SPACE					34
35		SPACE					36
37		SPACE					38
39		SPACE					40
41		SPACE					42



Gossens Bachman
 Architecture and Interior Design
 Gossens Bachman, Inc.
 80 Granite Street Lane
 Montpelier, Vermont 05602
 Tel: 802.228.4864
 Fax: 802.228.4862
 Email: gossensbachman@aol.com

Pederson & Associates
 175 West 810 Street, Montpelier, VT 05602
 Tel: (802) 253-9627 Fax: (802) 253-4250
 Email: pederson@pederson.com



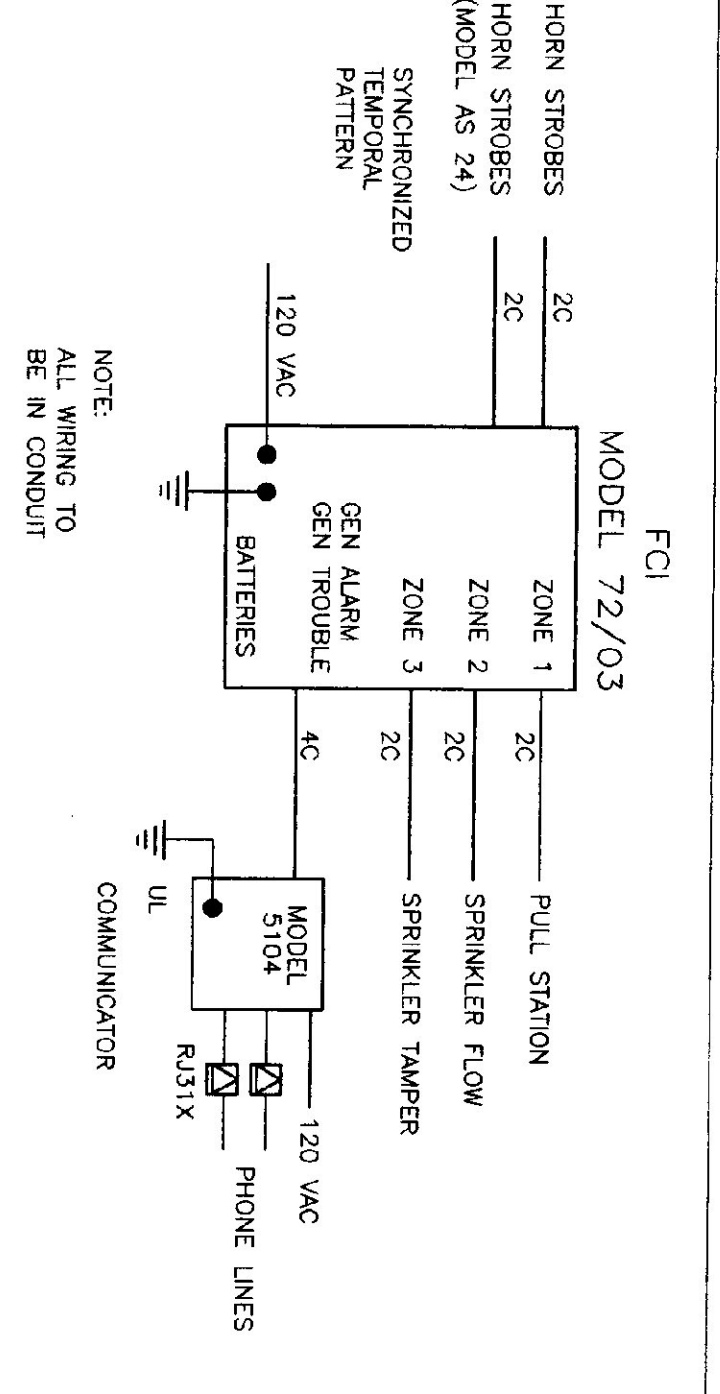
Project Title: **STATE OF VERMONT**
 AGENCY OF TRANSPORTATION
DISTRICT NO. 9
MAINTENANCE GARAGE

DERBY, VERMONT
 Revision: A079
 Job Number: A079
 File Name: A079
 Drawn By: TTY
 Checked By: ERP
 Scale: As Shown
 Date: August 1999

Sheet Title: **Electrical Details and Schedules**

Sheet Number: **E2**

FIRE ALARM ONE LINE DIAGRAM
 NO SCALE



ELECTRIC SERVICE ENTRANCE ONE LINE DIAGRAM
 NO SCALE

