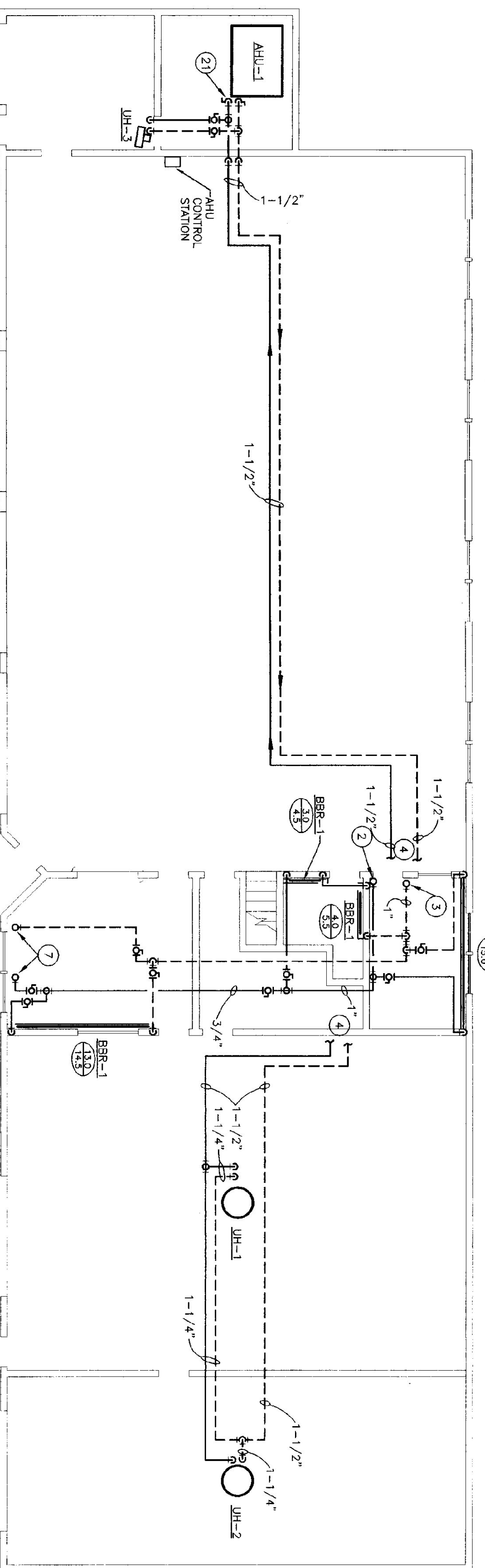
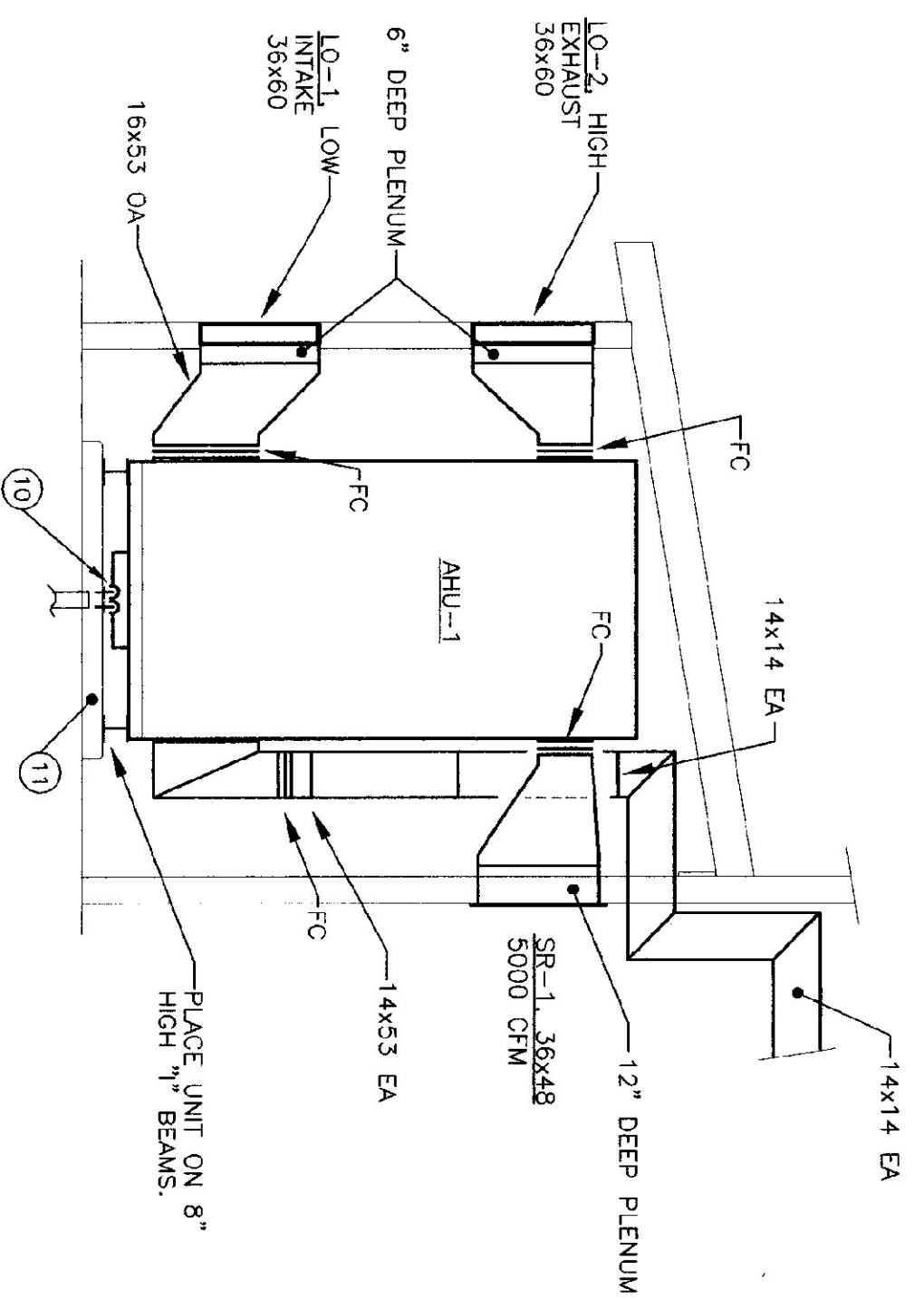


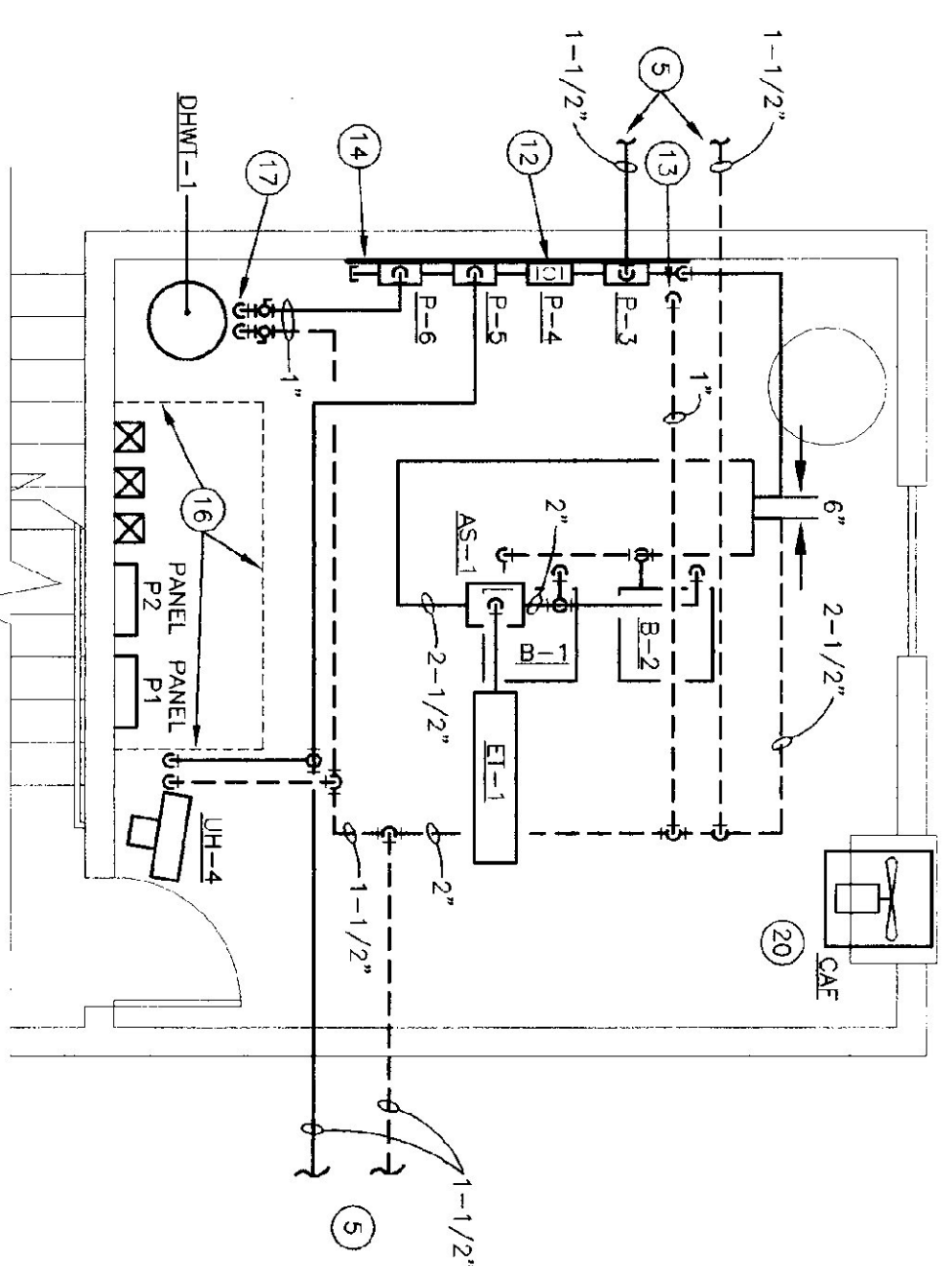
FLOOR PLAN - DUCTWORK & EQUIPMENT
SCALE: 1/8" = 1'-0"



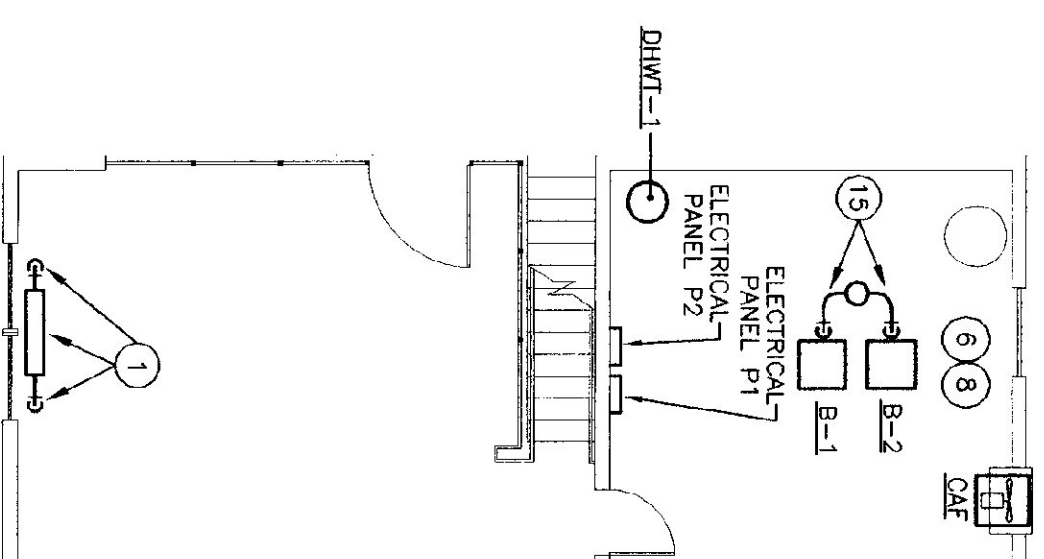
FLOOR PLAN - PIPING
SCALE: 1/8" = 1'-0"



SECTION OF MECHANICAL ROOM
SCALE: 1/4" = 1'-0"



BOILER ROOM PLAN
SCALE: 1/4" = 1'-0"



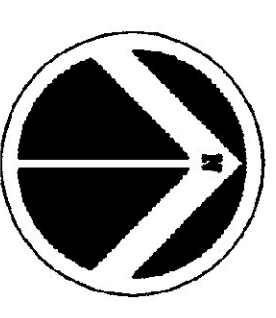
SECOND FLOOR PLAN - PIPING & EQUIPMENT
SCALE: 1/8" = 1'-0"

GENERAL NOTES:

- A. ALL HWS AND HWR PIPING FOR BASEBOARD RADIATION (BBR) TO BE 3/4" IN SIZE, UNLESS OTHERWISE NOTED.
- B. ALL HWS AND HWR PIPING FOR UNIT HEATERS (UH) TO BE 3/4" IN SIZE, UNLESS OTHERWISE NOTED.

KEYED NOTES:

- 1 CAST IRON RADIATOR TO BE FURNISHED BY OWNER AND INSTALLED BY MC TO CLEAN UNIT READY FOR INSTALLATION. 3/4" HWS & HWR DOWN TO FLOOR BELOW.
- 2 1" HWS UP TO SECOND FLOOR ABOVE. REFER TO BOILER ROOM PLAN FOR CONTINUATION OF PIPING.
- 3 1" HWR UP TO SECOND FLOOR ABOVE. REFER TO BOILER ROOM PLAN FOR CONTINUATION OF PIPING.
- 4 REFER TO BOILER ROOM PLAN FOR CONTINUATION OF PIPING.
- 5 REFER TO FLOOR PLAN - PIPING FOR CONTINUATION.
- 6 REFER TO HOT WATER PIPING SCHEMATIC DIAGRAM FOR PIPING CONFIGURATION.
- 7 3/4" HWS & HWR UP TO CAST IRON RADIATOR ABOVE.
- 8 REFER TO 1/4" SCALE OF MECHANICAL ROOM FOR PIPING LAYOUT.
- 9 PROVIDE 1/2" MESH SCREEN AT OUTLET OF DUCTWORK.
- 10 3/4" CONDENSATE DRAINS OUT TO 4" DRAIN AS PROVIDED BY PC. TERMINATE DRAIN LINES 2' ABOVE FIN OF SANITARY DRAIN PIPE. TERMINATE ENDS OF DRAIN LINES AT A 45° ANGLE. CLEAN AND REAM ENDS OF PIPE.
- 11 6" HIGH CONCRETE PAD, PAD TO BE 6" BIGGER ON ALL SIDES THAN EQUIPMENT. PROVIDE CHAMFER EDGE ON PADS.
- 12 1" HWS DOWN TO FLOOR BELOW. REFER TO FLOOR PLAN - PIPING FOR CONTINUATION.
- 13 1" HWR UP FROM FLOOR BELOW. REFER TO FLOOR PLAN - PIPING FOR CONTINUATION.
- 14 3/4" THICK x 4" x 8" PLYWOOD BOARD TO MOUNT PUMPS, CONTROLS AND ACCESSORIES ON.
- 15 12" BOILER VENT UP THROUGH ROOF. PROVIDE DRAIN AT BOOTOM.
- 16 COORDINATE WITH EG TO PROVIDE 36" CLEAR IN FRONT OF ELECTRICAL PANELS AND EQUIPMENT. MC TO NOT RUN ANY PIPING OR DUCTWORK IN THIS AREA.
- 17 1-1/4" HWS & HWR DOWN TO DHWT-1. PROVIDE UNIONS AND DRAIN VALVES CONNECTIONS AT EQUIPMENT.
- 18 FRESH AIR OPENING FOR INFRARED HEATER (H-1).
- 19 EXHAUST OUTLET UP THROUGH THE ROOF.
- 20 REFER TO BOILER ROOM COMBUSTION AIR/VENTILATION DETAIL FOR INSTALLATION OF FAN.
- 21 1-1/4" HWS & HWR DOWN TO HOT WATER COIL FOR AHU-1. REFER TO HOT WATER HEATING COIL PIPING DETAIL FOR PIPING CONNECTIONS TO HEATING COIL. MOUNT ALL PIPING TO HEATING COIL. SO AS NOT TO INTERFERE WITH THE ACCESS DOORS AND ACCESS TO UNIT.



Gossens Bachman
Architecture and Interior Design
60 Granite State Lane
Montpelier, Vermont 05602
Tel: 802.259.4884
Fax: 802.259.4884
Email: GossBach@aol.com

Pedron & Associates
MECHANICAL & ELECTRICAL ENGINEERS
175 Rte. 100, Box 418, Stowe, Vermont 05672
Tel: 802.259.4884
Fax: 802.259.4884
Email: pedron@pedron.com



Project Title:
STATE OF VERMONT
AGENCY OF TRANSPORTATION
DISTRICT NO. 9
MAINTENANCE GARAGE

DERBY, VERMONT
Revisions:
Job Number: A079
File Name: A079
Drawn By: TTY
Checked By: BEP
Scale: As Shown
Date: August 1999
Sheet Title:
Mechanical Plans and Details

Sheet Number:
MI
© Gossens Bachman, Inc.