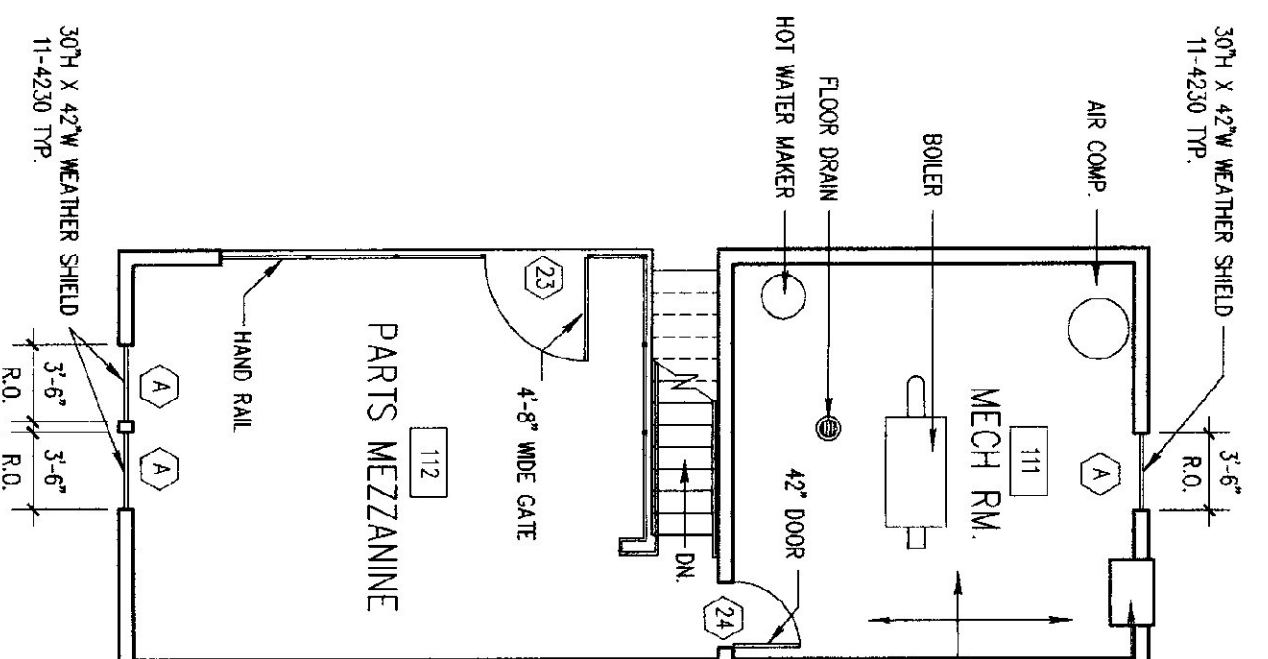
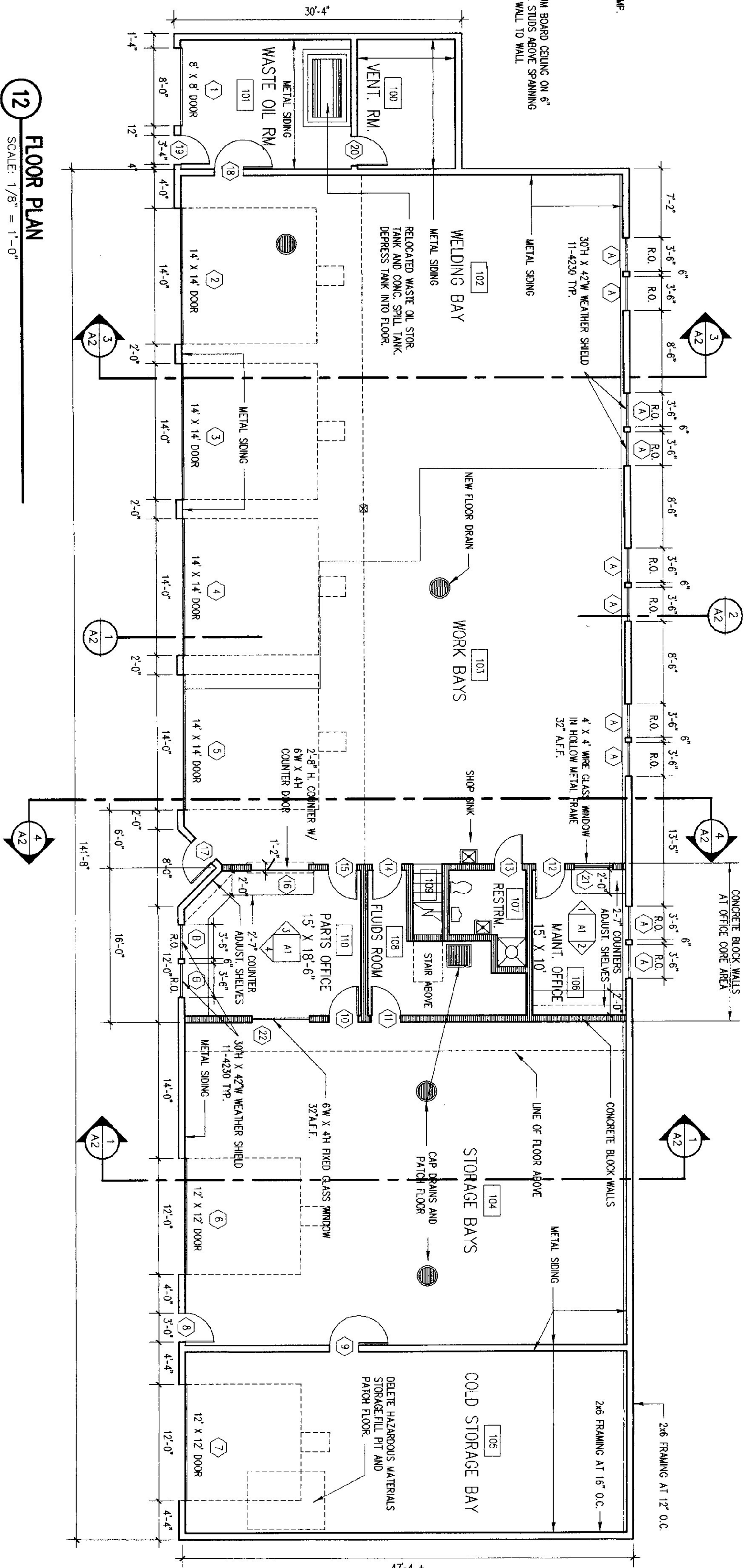


10 STAIR SECTION
SCALE: 1/4" = 1'-0"



11 MEZZANINE
SCALE: 1/8" = 1'-0"



12 FLOOR PLAN
SCALE: 1/8" = 1'-0"

DOOR AND WINDOW SCHEDULE

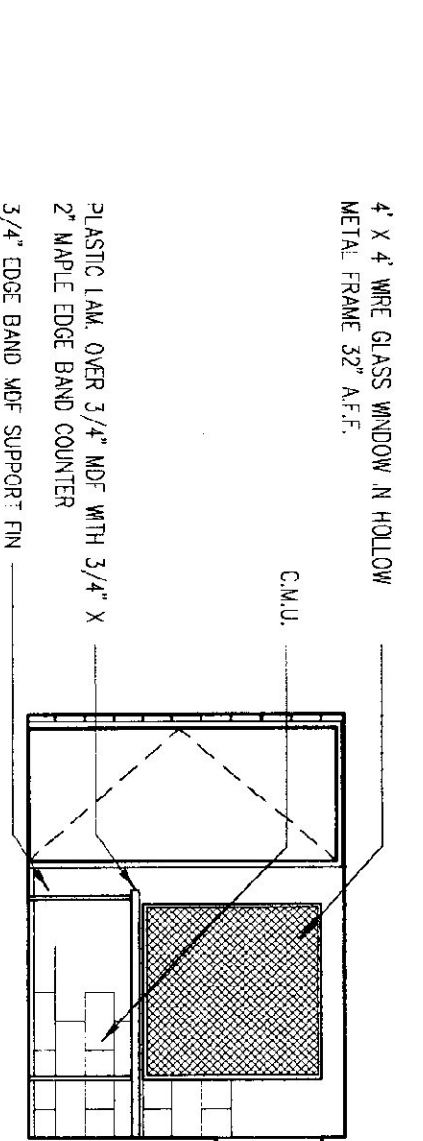
| NO. | SYMBOL | TYPE | FINISH | REMARKS |
|-----|--------|-----------------|--------|---------|
| 1 | D1 | INSULATED STEEL | 8\"/> | |

ROOM FINISH SCHEDULE

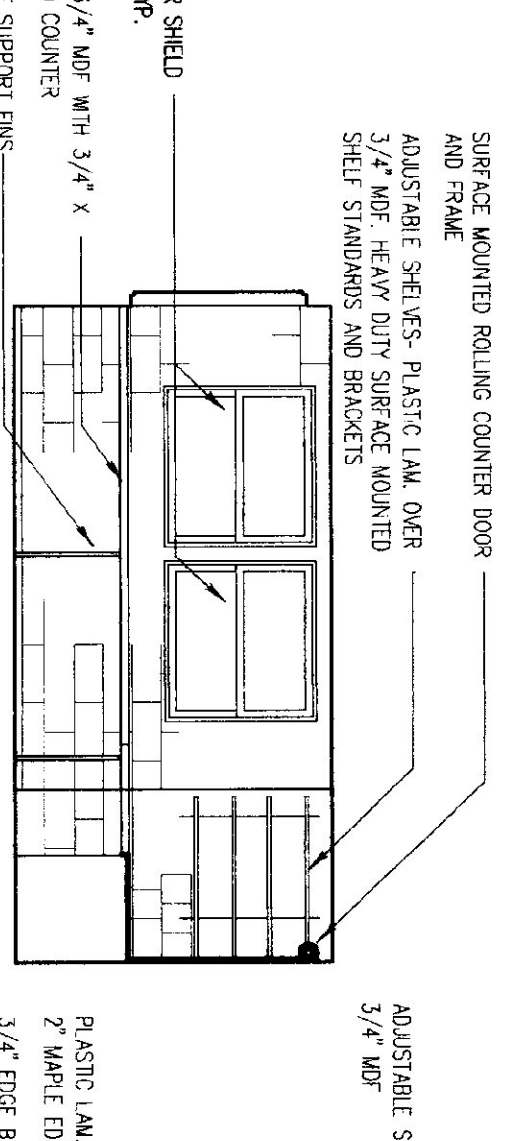
| NO. | SYMBOL | TYPE | FINISH | REMARKS |
|-----|--------|----------|--------|---------|
| 1 | F1 | CONCRETE | 1\"/> | |

ROOM FINISH SCHEDULE

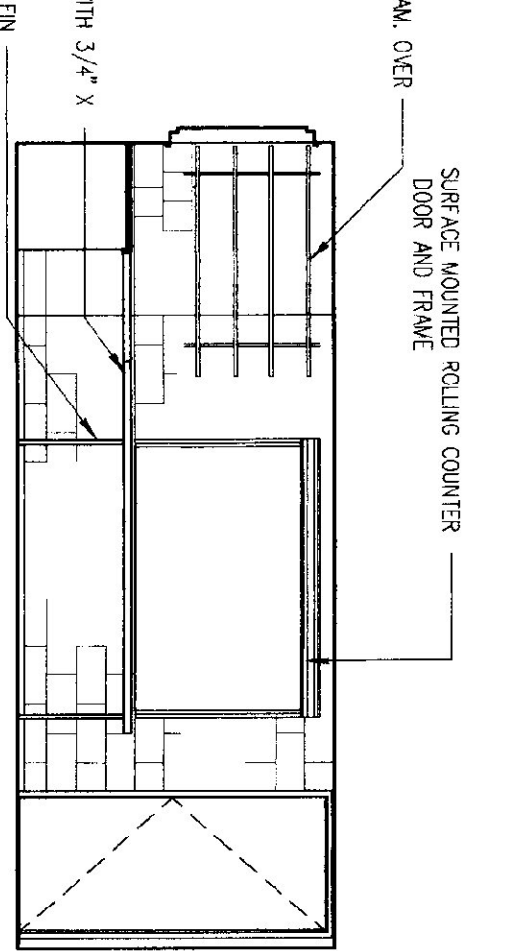
| NO. | SYMBOL | TYPE | FINISH | REMARKS |
|-----|--------|----------|--------|---------|
| 1 | F1 | CONCRETE | 1\"/> | |



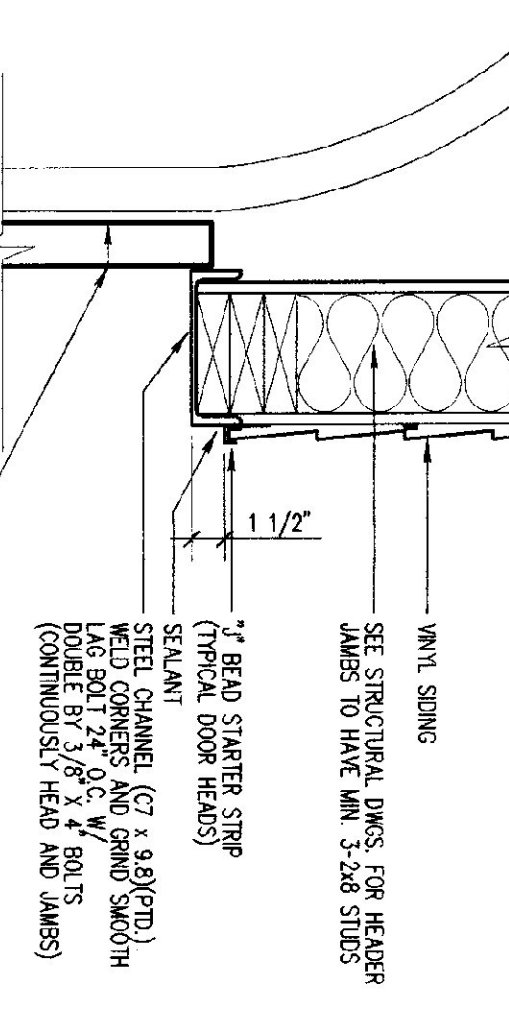
1 106 - EAST ELEVATION
SCALE: 1/4" = 1'-0"



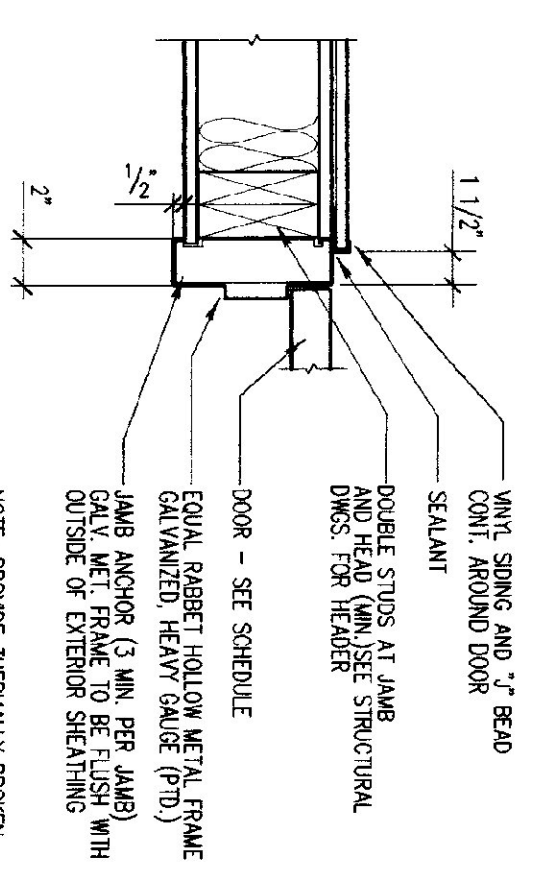
2 106 - WEST ELEVATION
SCALE: 1/4" = 1'-0"



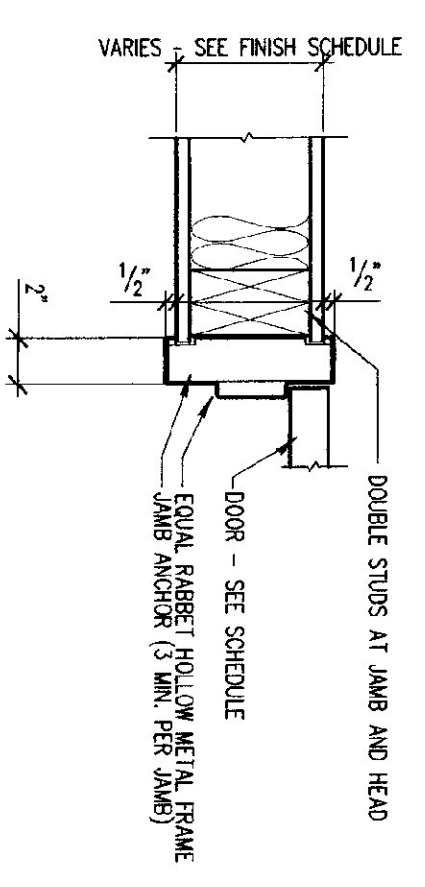
3 110 - NORTH ELEVATION
SCALE: 1/4" = 1'-0"



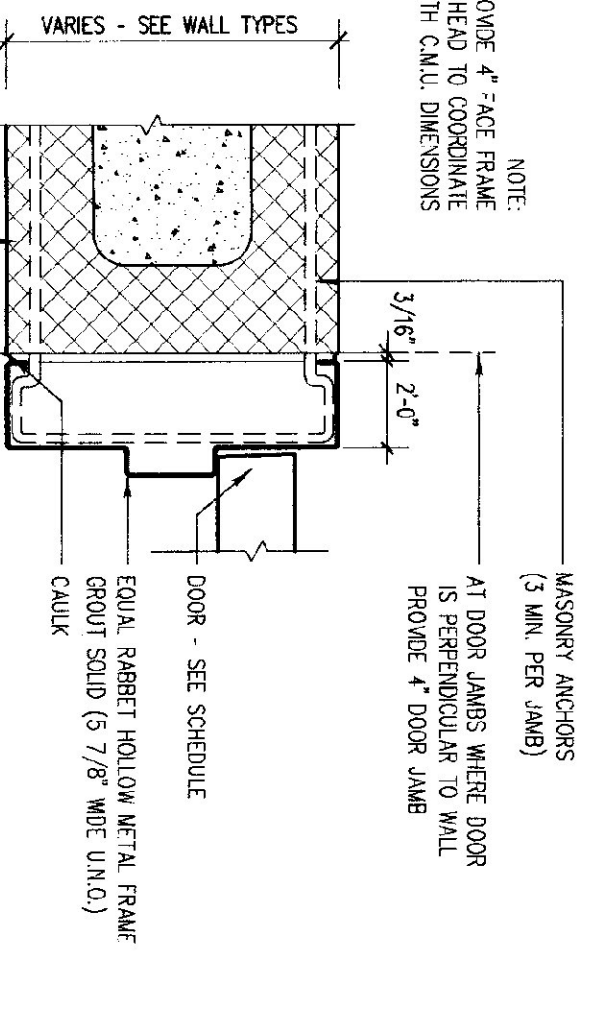
4 110 - EAST ELEVATION
SCALE: 1/4" = 1'-0"



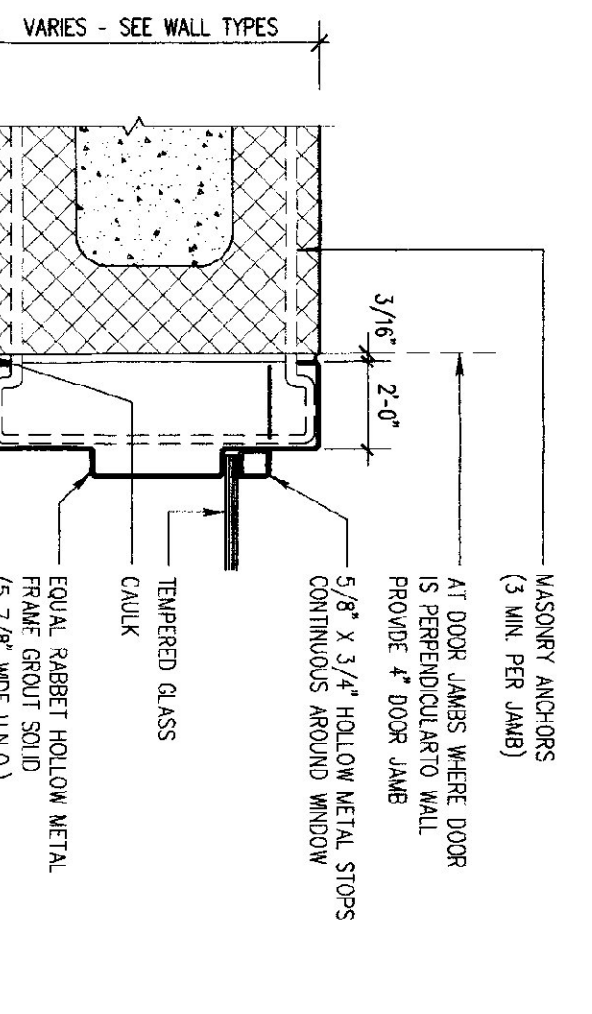
5 EXTERIOR DOOR HEAD/JAMB
SCALE: 1-1/2" = 1'-0"



6 OVERHEAD DOOR HEAD/JAMB
SCALE: 1-1/2" = 1'-0"



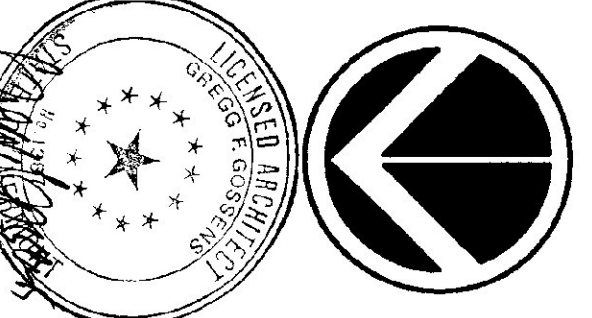
7 TYPICAL INT. DOOR HEAD/JAMB
SCALE: 1-1/2" = 1'-0"



8 TYPICAL DOOR JAMB IN C.M.U.
SCALE: 1-1/2" = 1'-0"



9 TYPICAL SLEIGHT JAMB/HEAD
SCALE: 1-1/2" = 1'-0"



Gossens Bachman, Inc.
Architecture and Interior Design
Gossens Bachman, Inc.
100 North Main Street
Montpelier, Vermont 05602
(802) 223-1054

Project Title:
STATE OF VERMONT DISTRICT NO. 9 SERVICE BUILDING
Derby, Vermont
Revisions:

Job Number: A079
File Name: esd04d.dwg
Date: August, 1989
Checked By: CG
Scale: as shown
Sheet Title:
FLOOR PLANS ELEVATIONS DETAILS SCHEDULES

Sheet Number:
A1
Gossens Bachman, Inc.