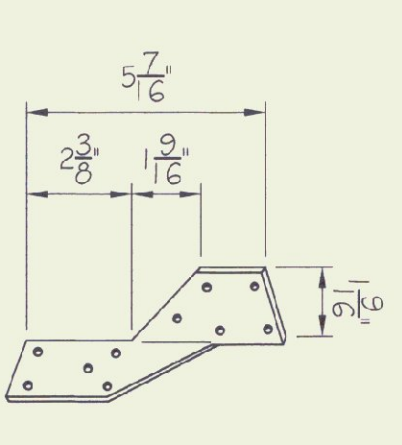
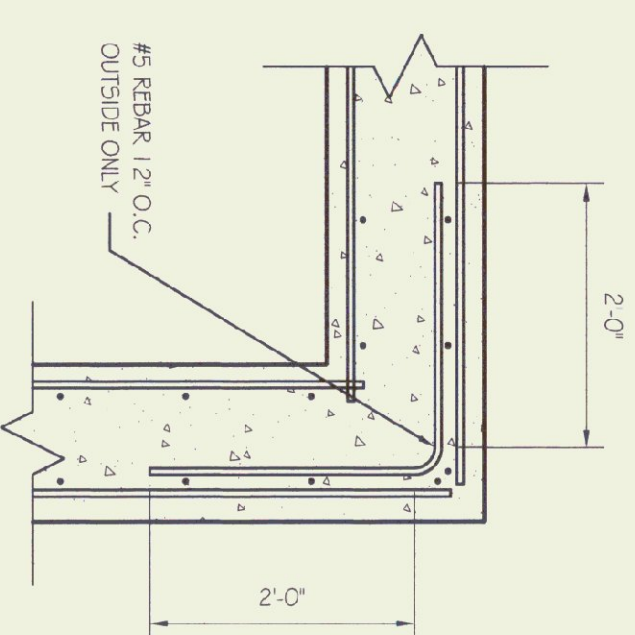


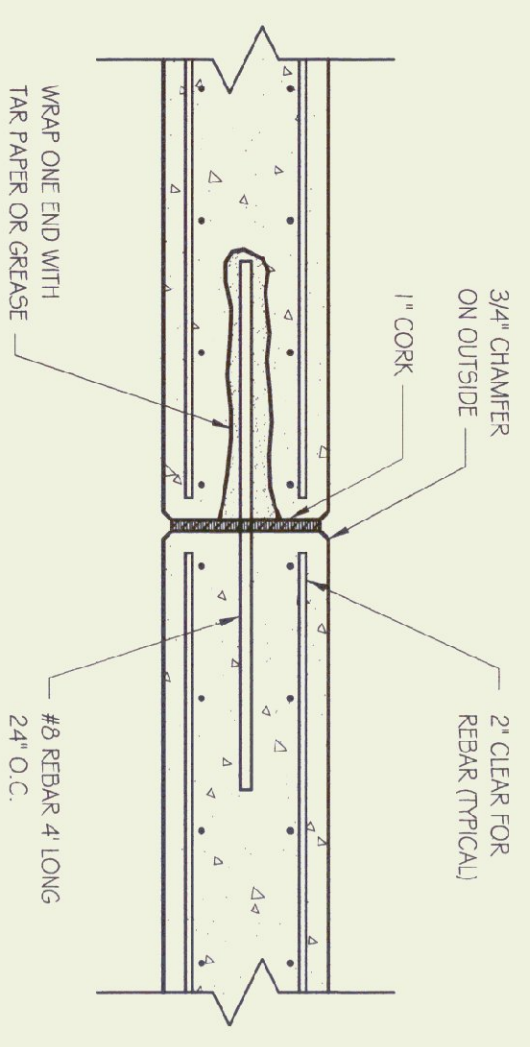
**CORNER GUARD**  
SCALE: 1/2"=1'-0"



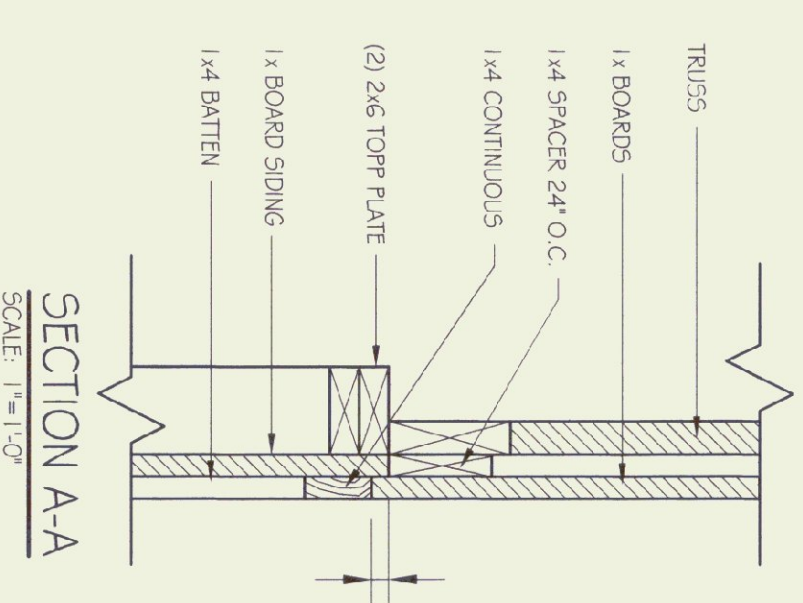
**HURRICANE CLIP DETAIL**  
SCALE: 3/4"=1'-0"



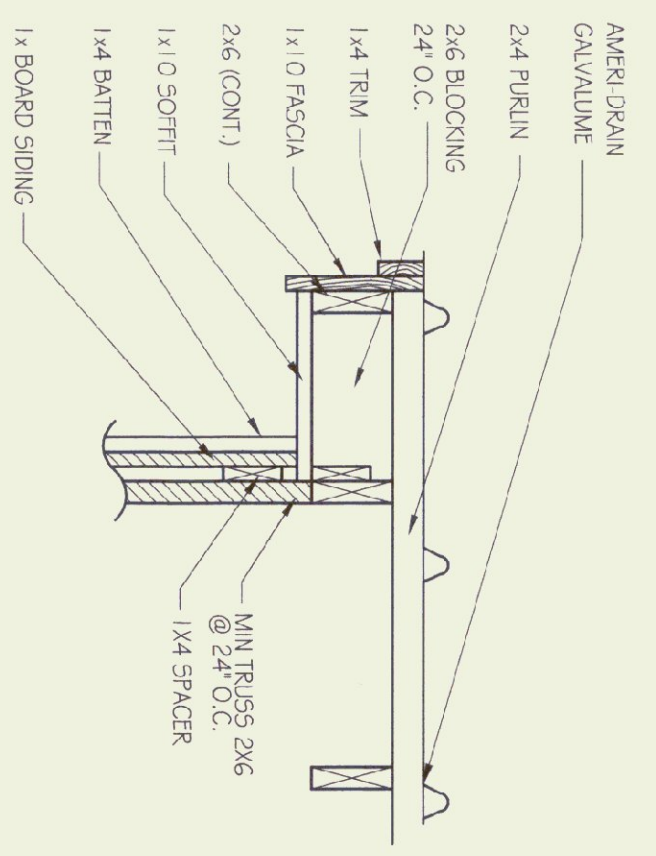
**CORNER DETAIL**  
SCALE: 3/4"=1'-0"



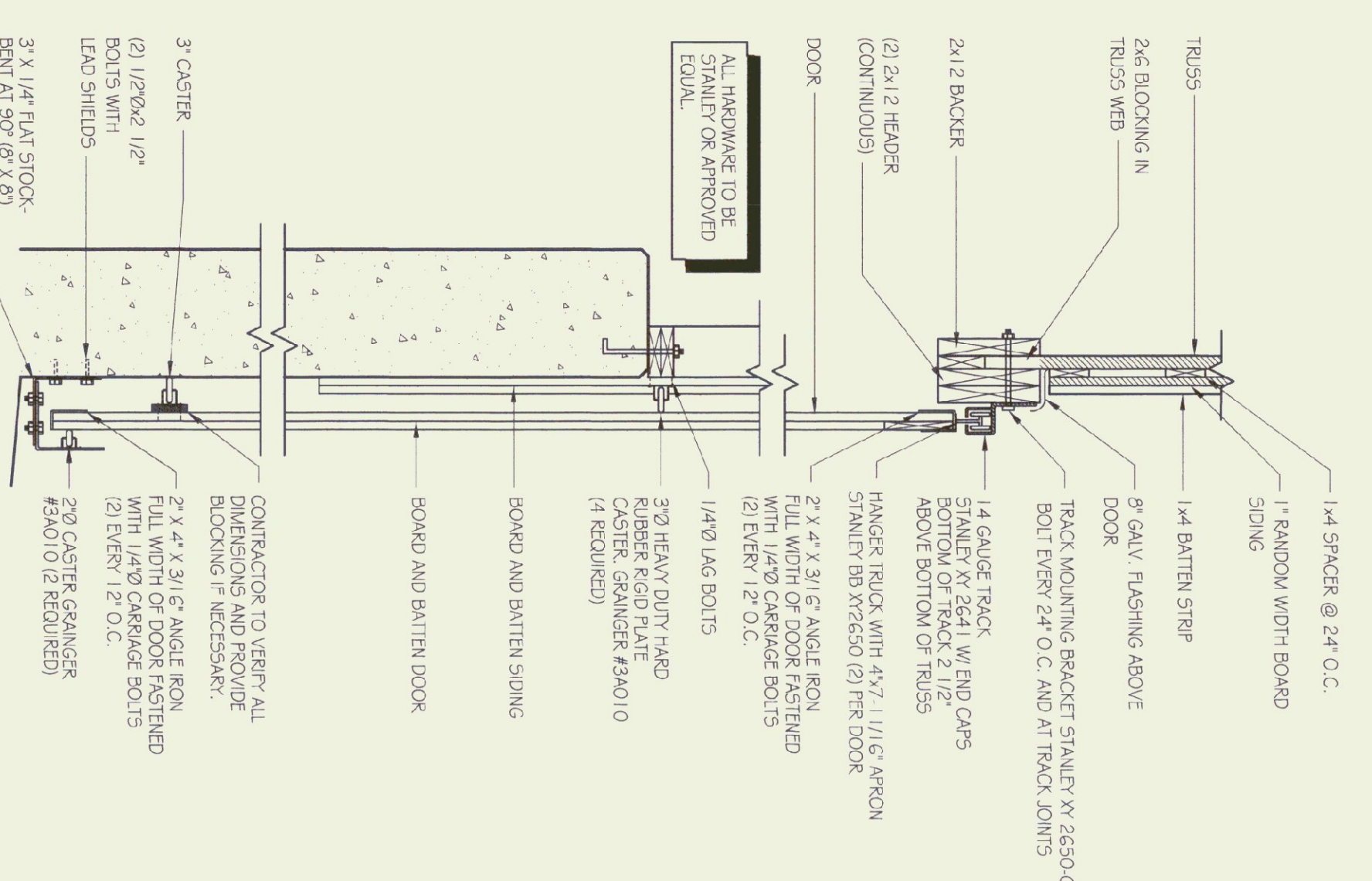
**EXPANSION JOINT DETAIL**  
SCALE: 3/4"=1'-0"



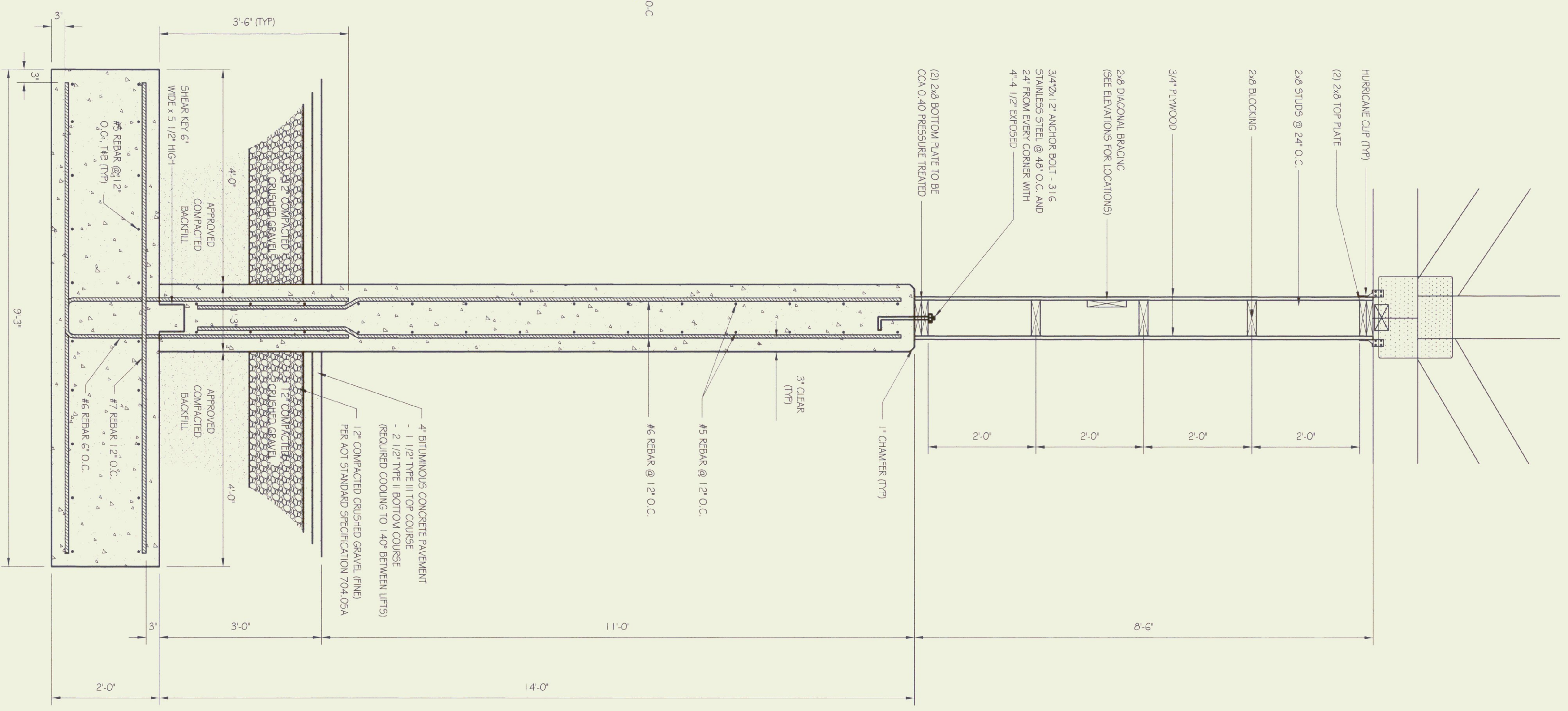
**SECTION A-A**  
SCALE: 1/2"=1'-0"



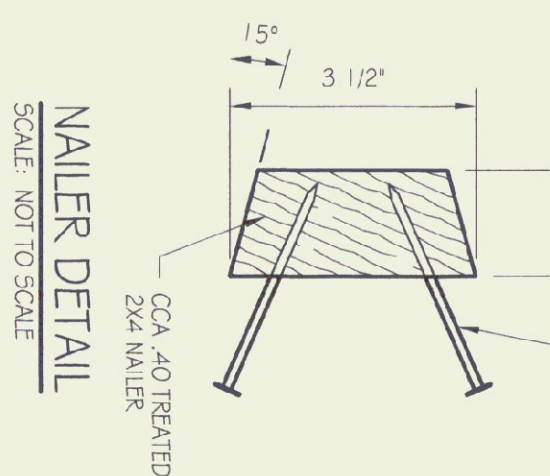
**SECTION B-B**  
SCALE: 1/2"=1'-0"



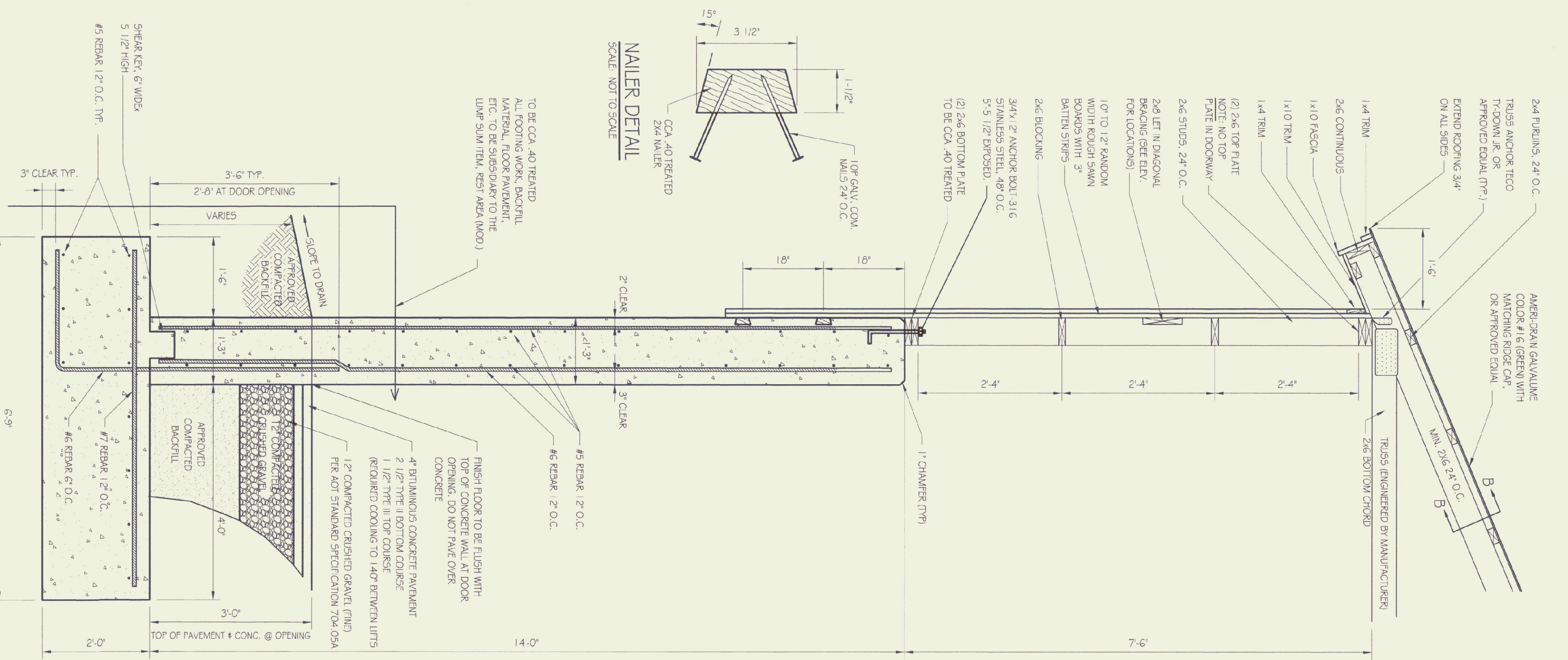
**DOOR TRACK & GUIDE DETAIL**  
SCALE: 3/4"=1'-0"



**TYPICAL INTERIOR WALL SECTION**  
SCALE: 3/4"=1'-0"



**NAILER DETAIL**  
SCALE: NOT TO SCALE



**TYPICAL EXTERIOR WALL SECTION**  
SCALE: 3/4"=1'-0"

<b>A2</b>	SCALE: A5 NOTED	REVISIONS
	DATE: 4/2003	
	DRAWN BY: T. DREW	
	APPR. BY: R. BARRY	

A.O.T. - NEW SALT AND STORAGE SHED'S  
NEW 98'-9" x 64'-0" SALT SHED  
SECTIONS AND DETAILS

VERMONT



**STATE OF VERMONT**  
Department of Buildings  
and General Services  
Agency of Administration  
Montpelier, Vermont

