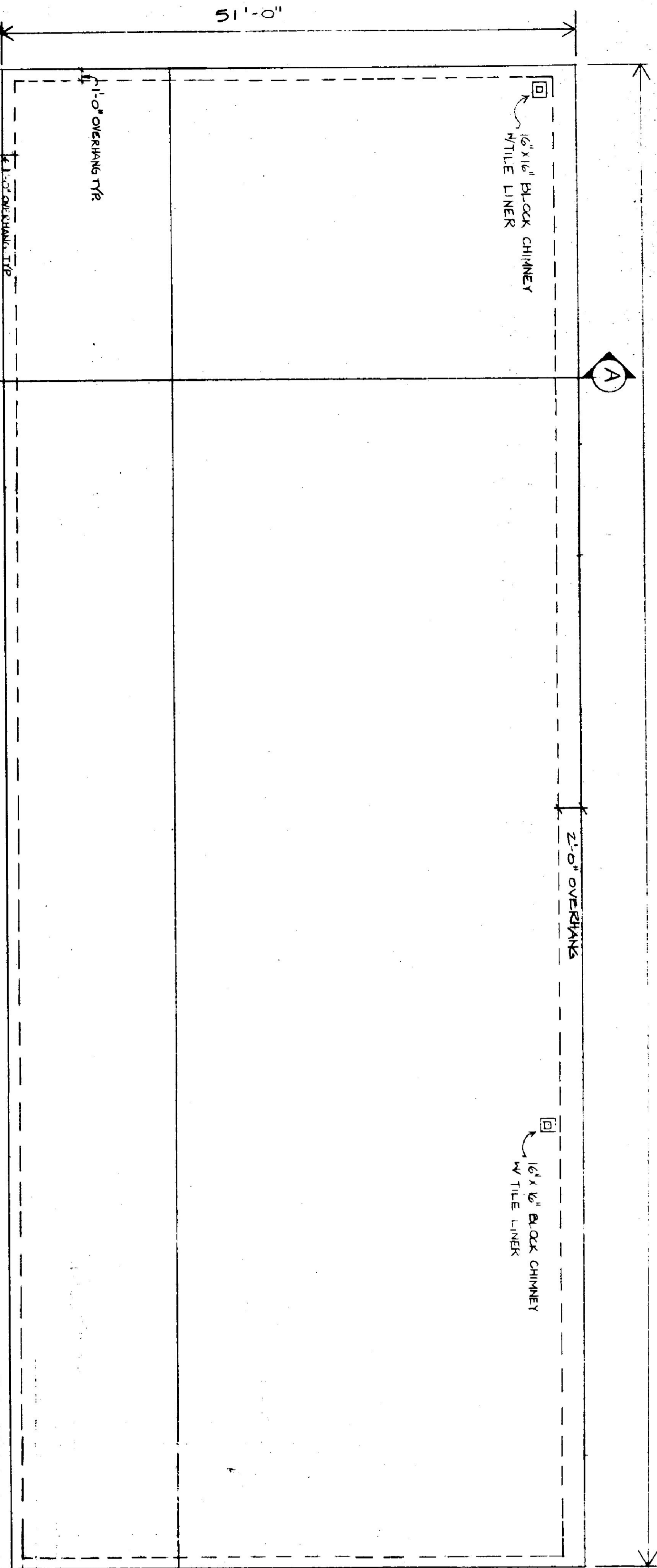
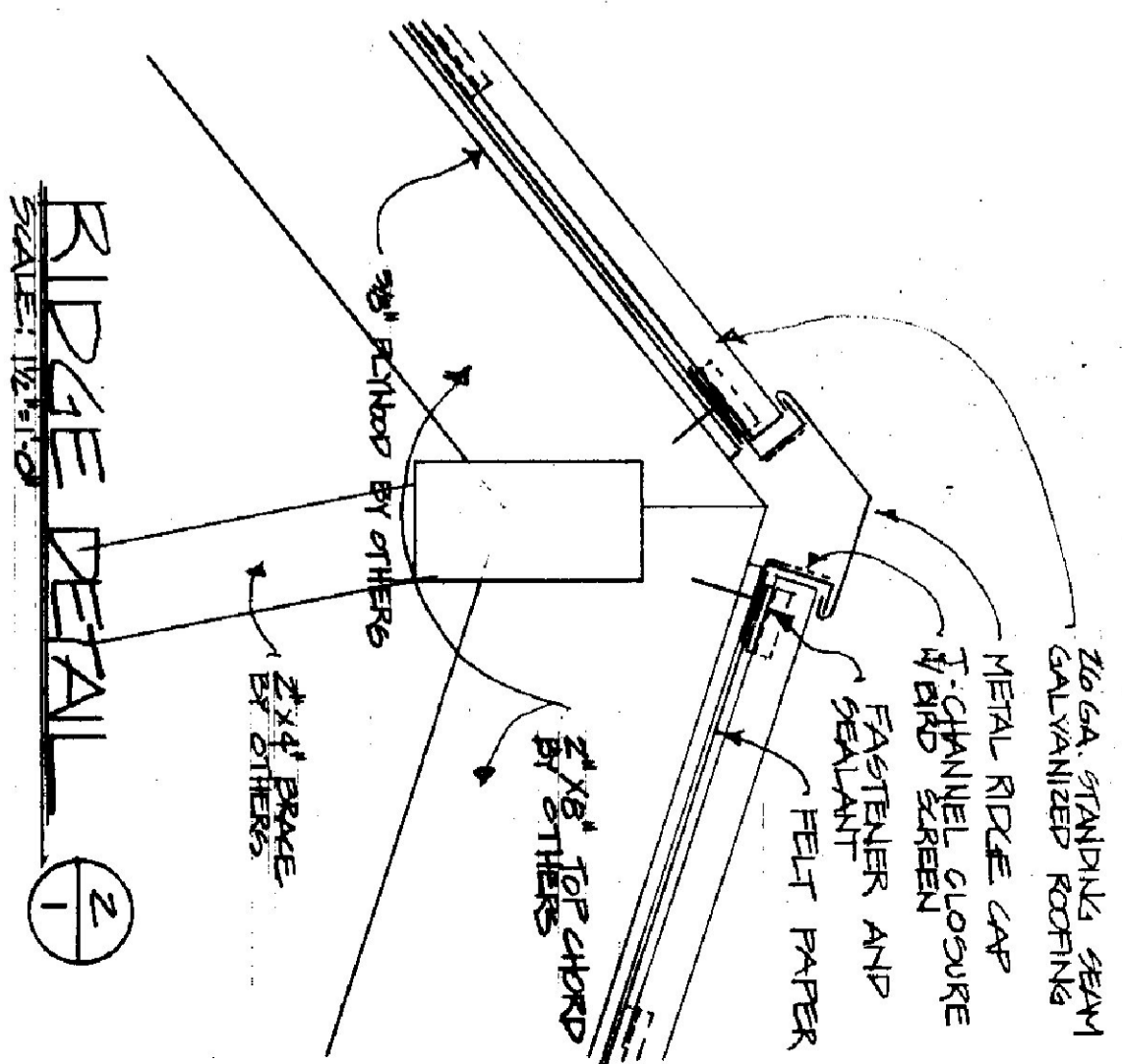
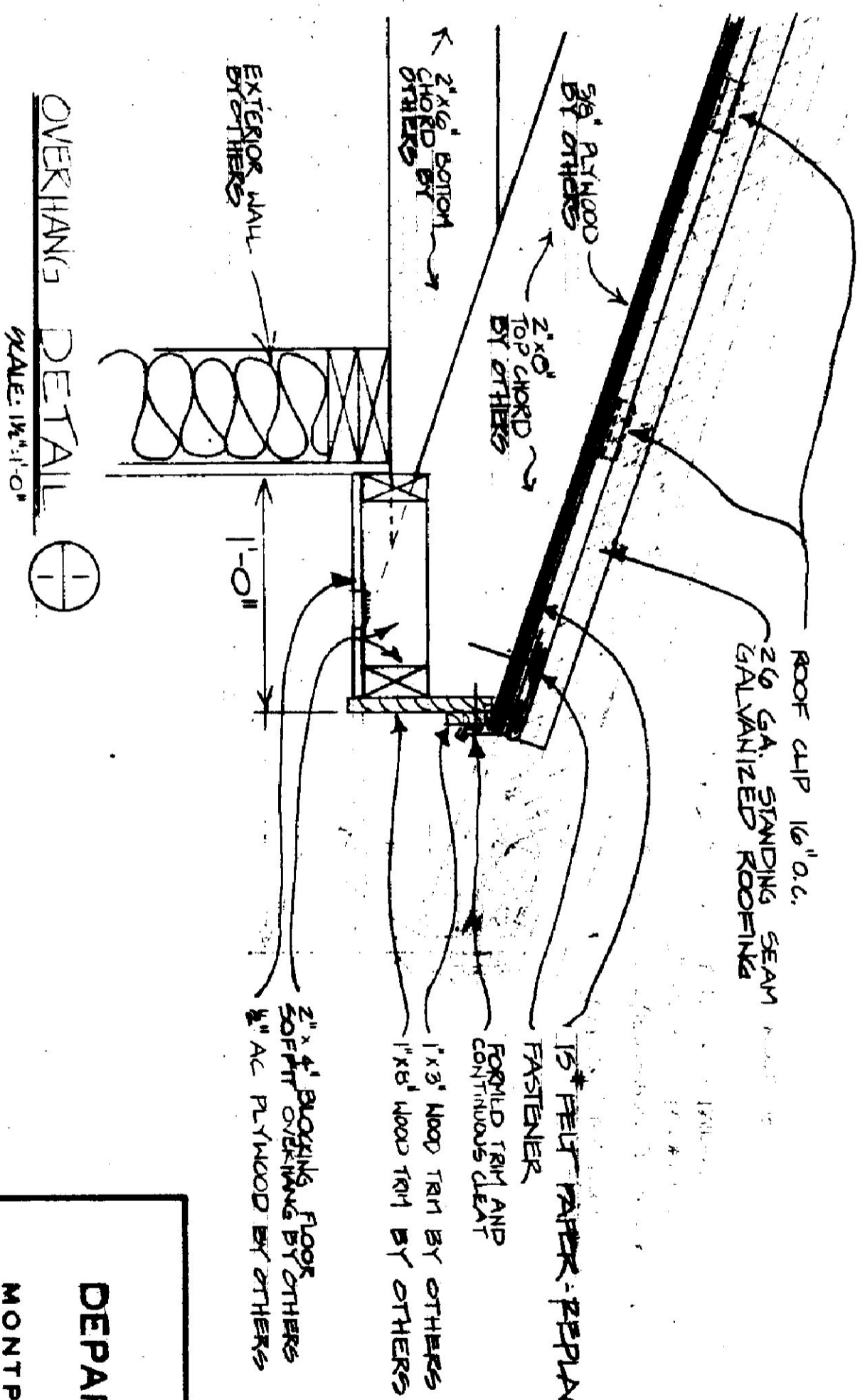
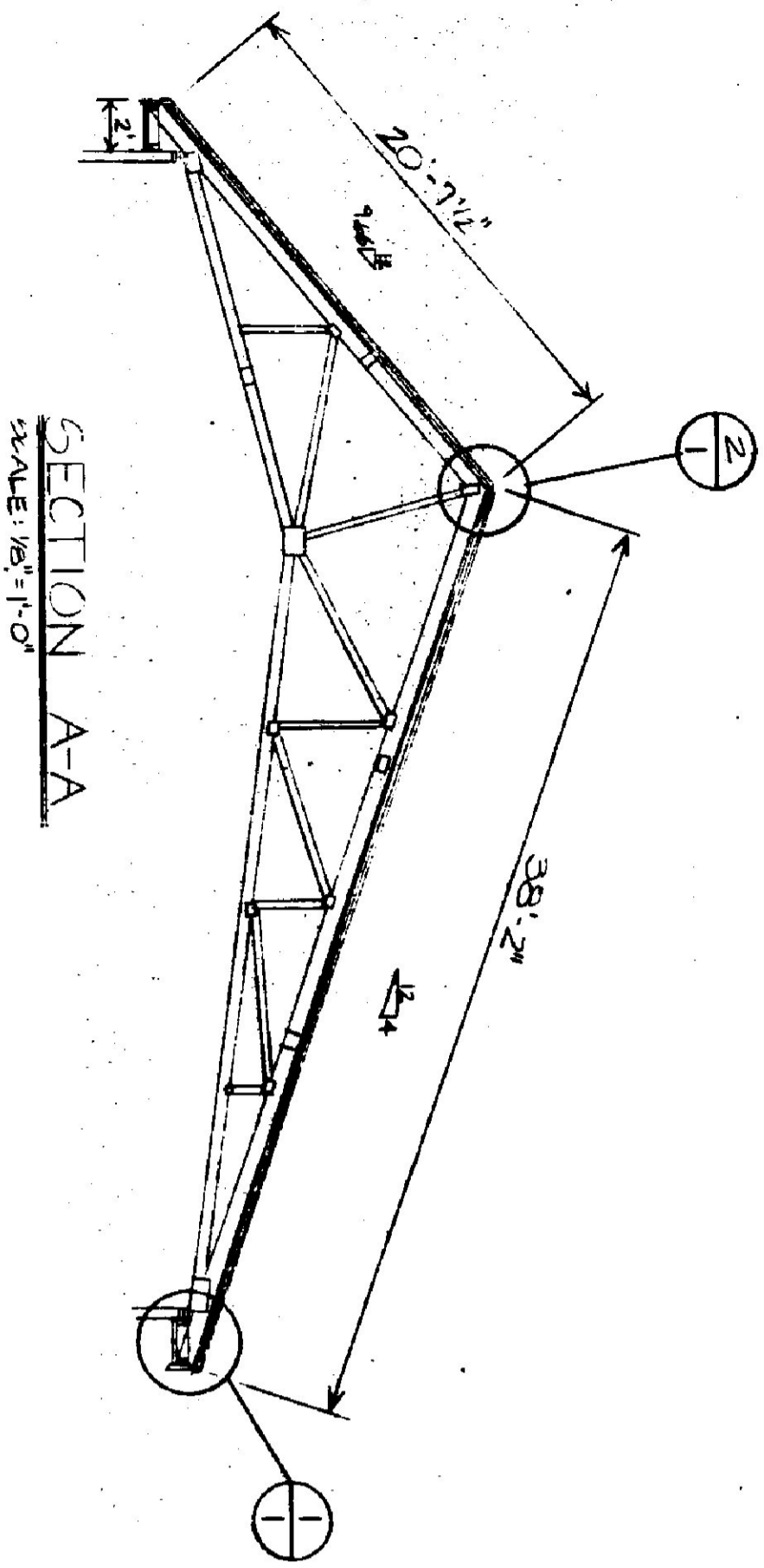


13'-10"



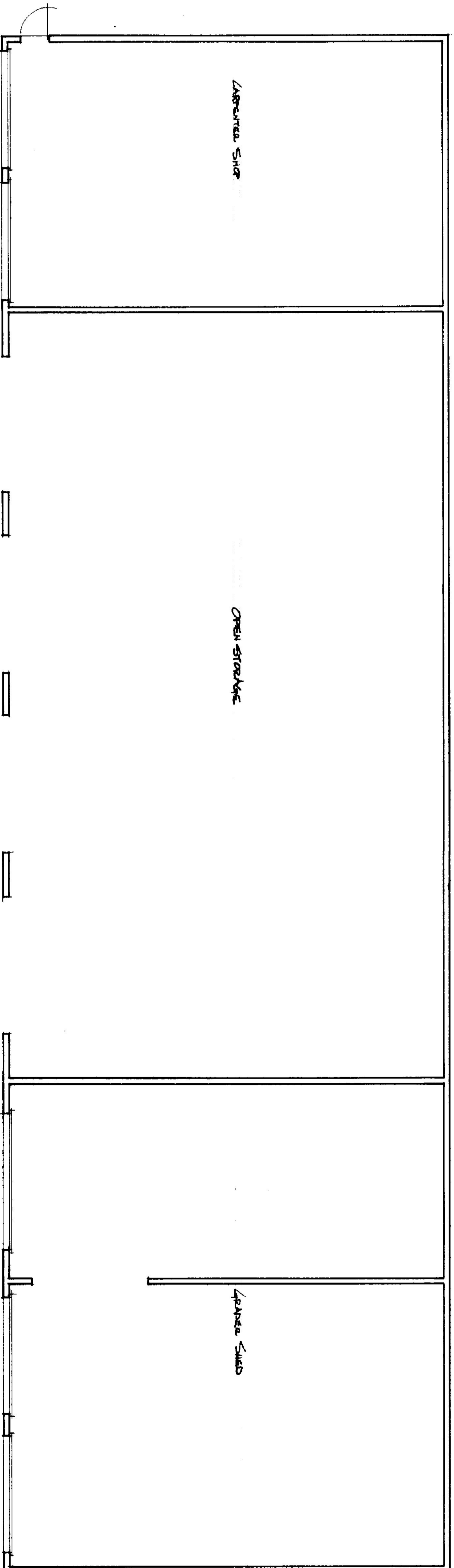
ROOF PLAN
SCALE: 1/8" = 1'-0"



CONTRACTED WORK

- 20 GA. GALVANIZED ROOFING
- 15' FELT PAPER
- ROOF CLIPS
- DRIP EDGE DETAIL

STATE OF VERMONT			
DEPARTMENT OF STATE BUILDINGS			
AGENCY OF ADMINISTRATION			
MONTPELIER, VERMONT			
AGENCY OF TRANSPORTATION			
DENBY STORAGE GARAGE			
ROOFING PROJECT			
REVISIONS:			
DATE	SCALE	DWG. NO.	
FEB. 23, 1960	AS SHOWN	R-1	
DRAWN BY	APPROVED BY		
K. HARRISON	F. BELL		
VERMONT		1 OF 1	



Floor Plan 1/8" = 1'-0"

STATE OF VERMONT
 DIVISION OF STATE BUILDINGS
 AGENCY OF ADMINISTRATION
 MONTPELIER, VERMONT

STORAGE BUILDING
 AGENCY OF TRANSPORTATION DEPT. VT.

DATE: April 15, 1961	SCALE: As Shown	REVISIONS:	DWG. NO.
DRAWN BY: Hudson	APPROVED BY:		OF