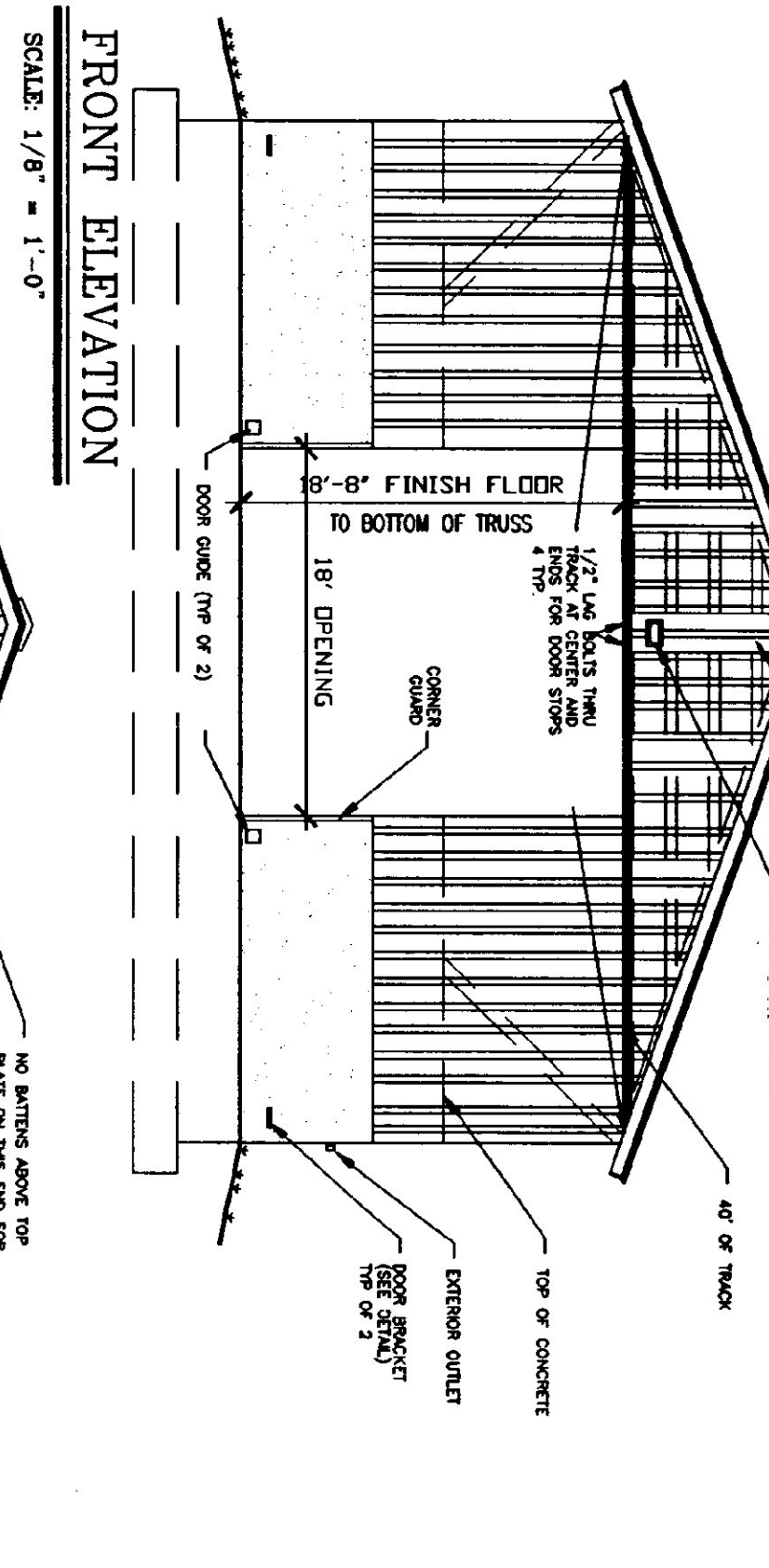
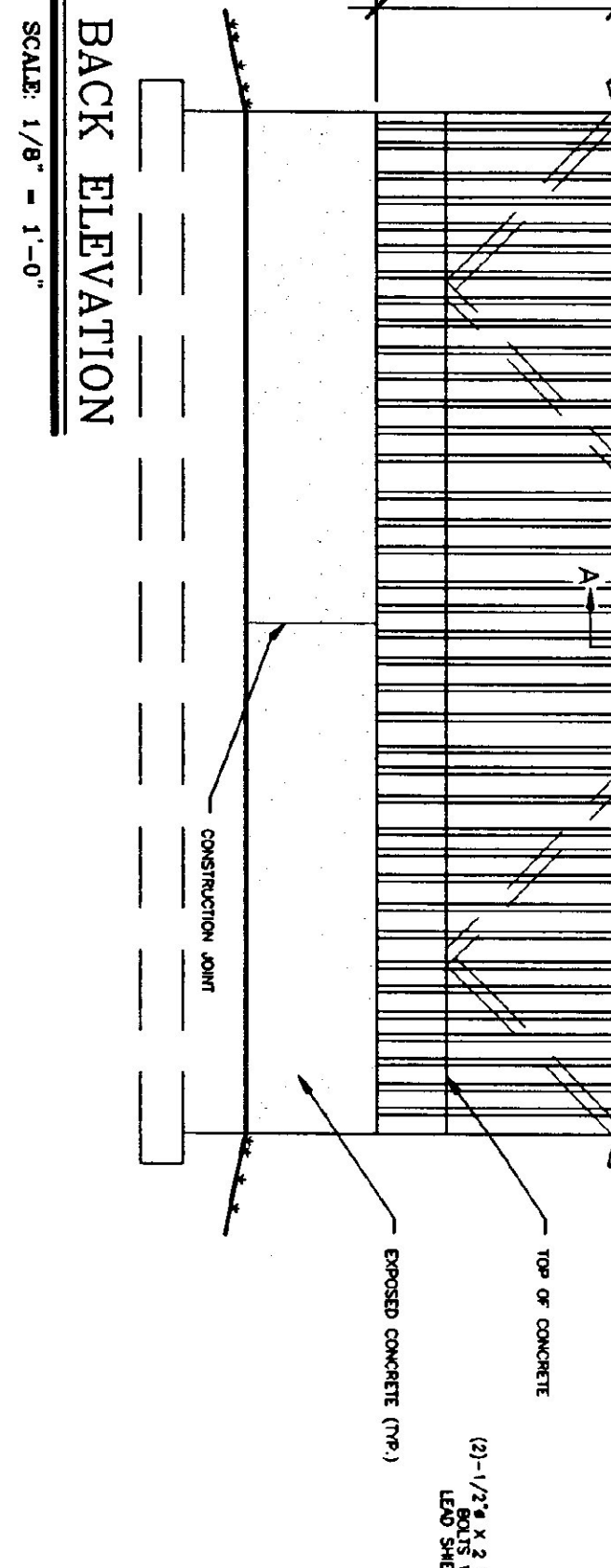


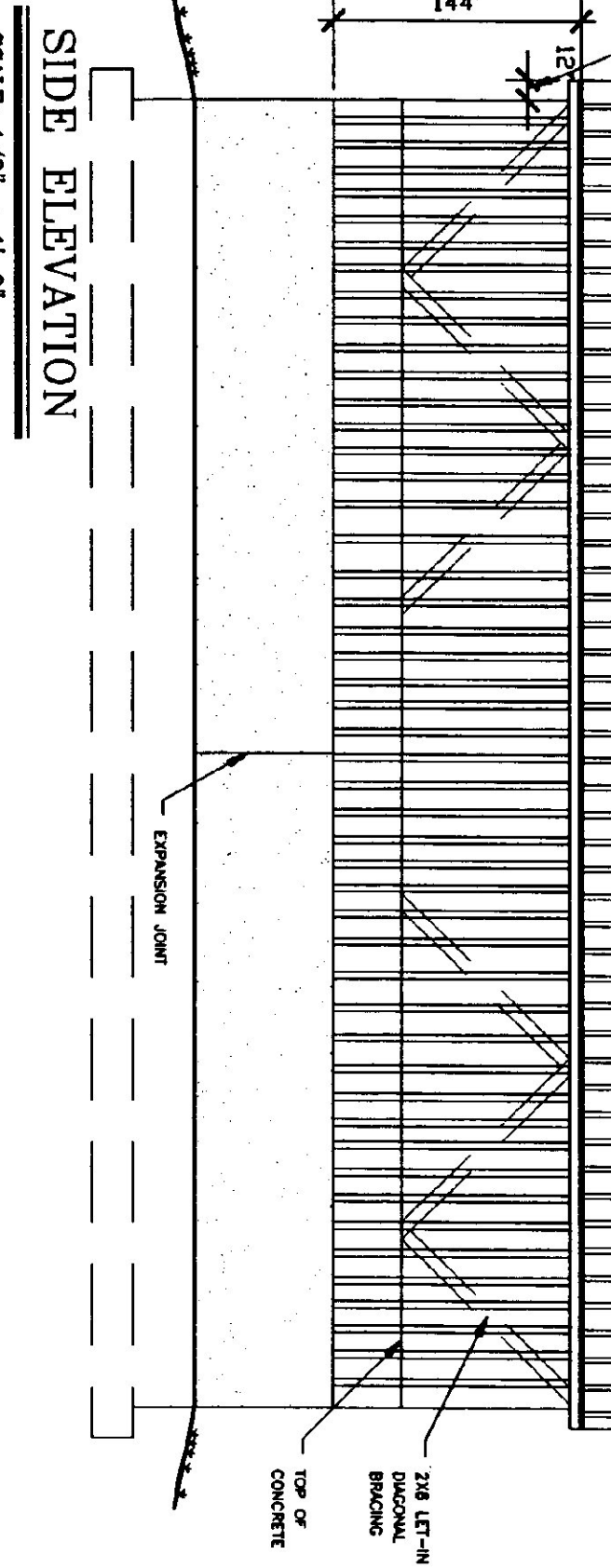
**FOUNDATION PLAN**  
SCALE: 1/8" = 1'-0"



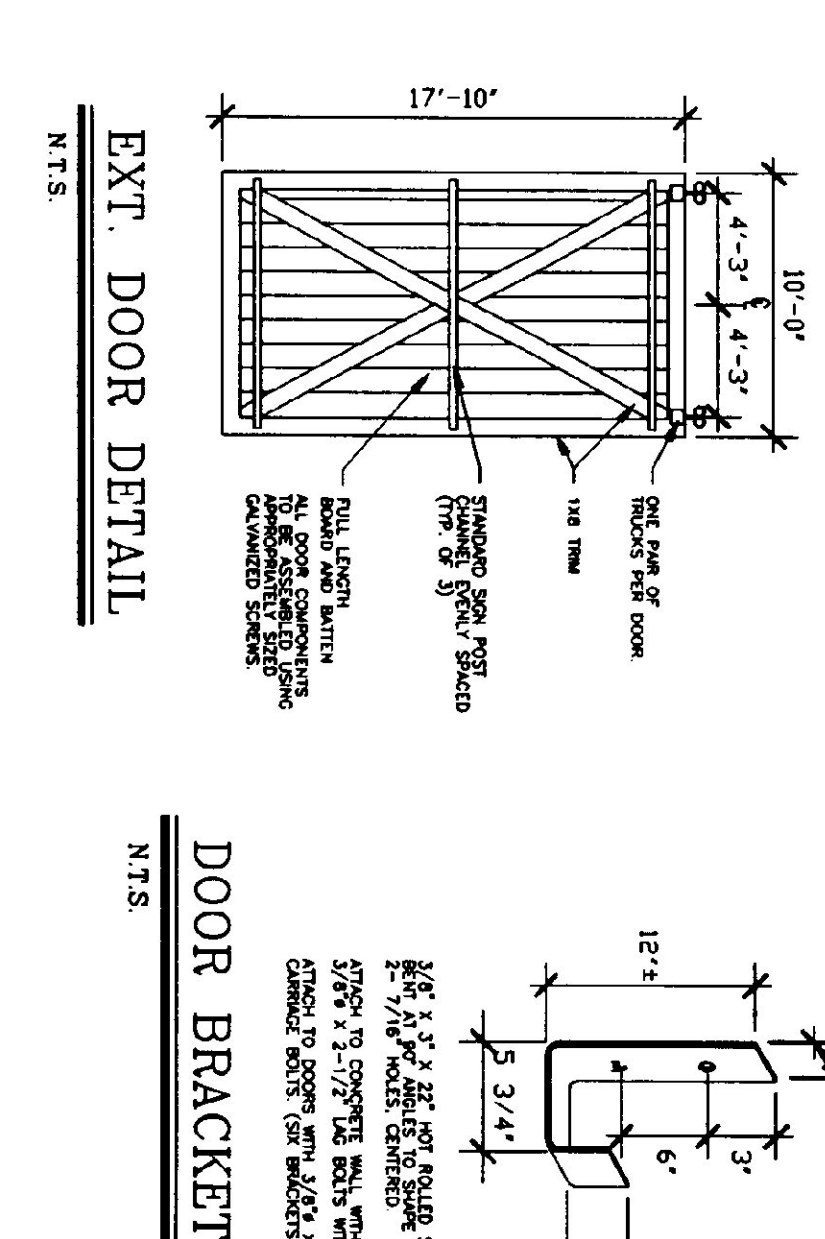
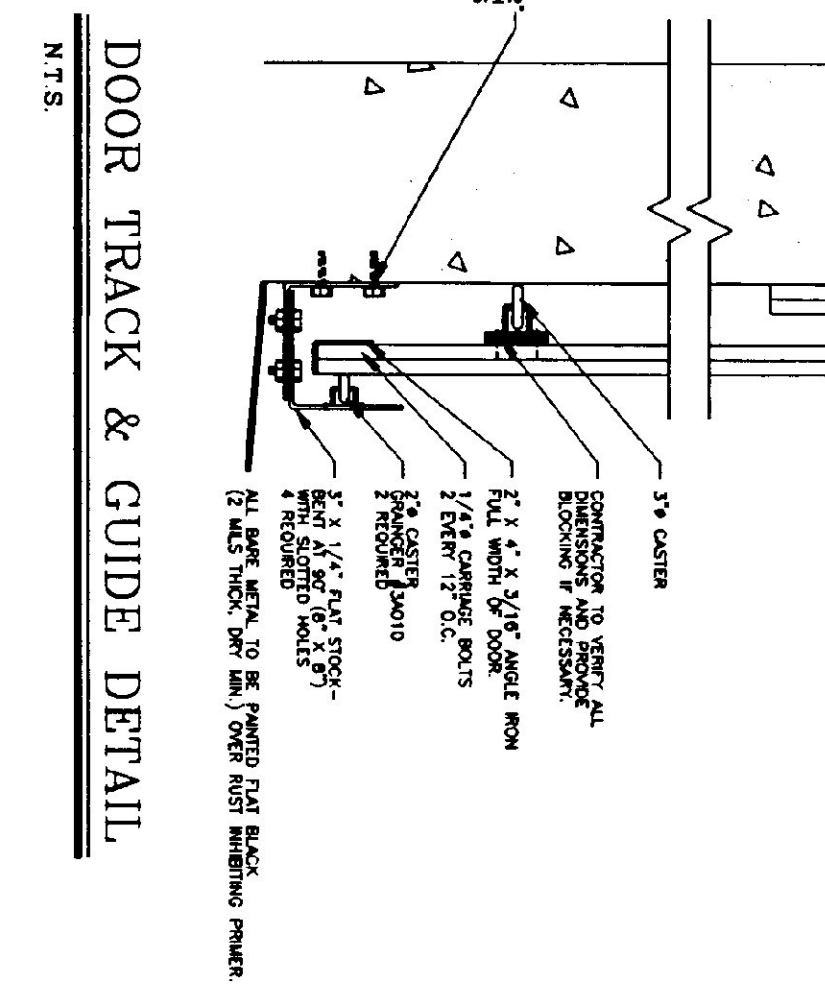
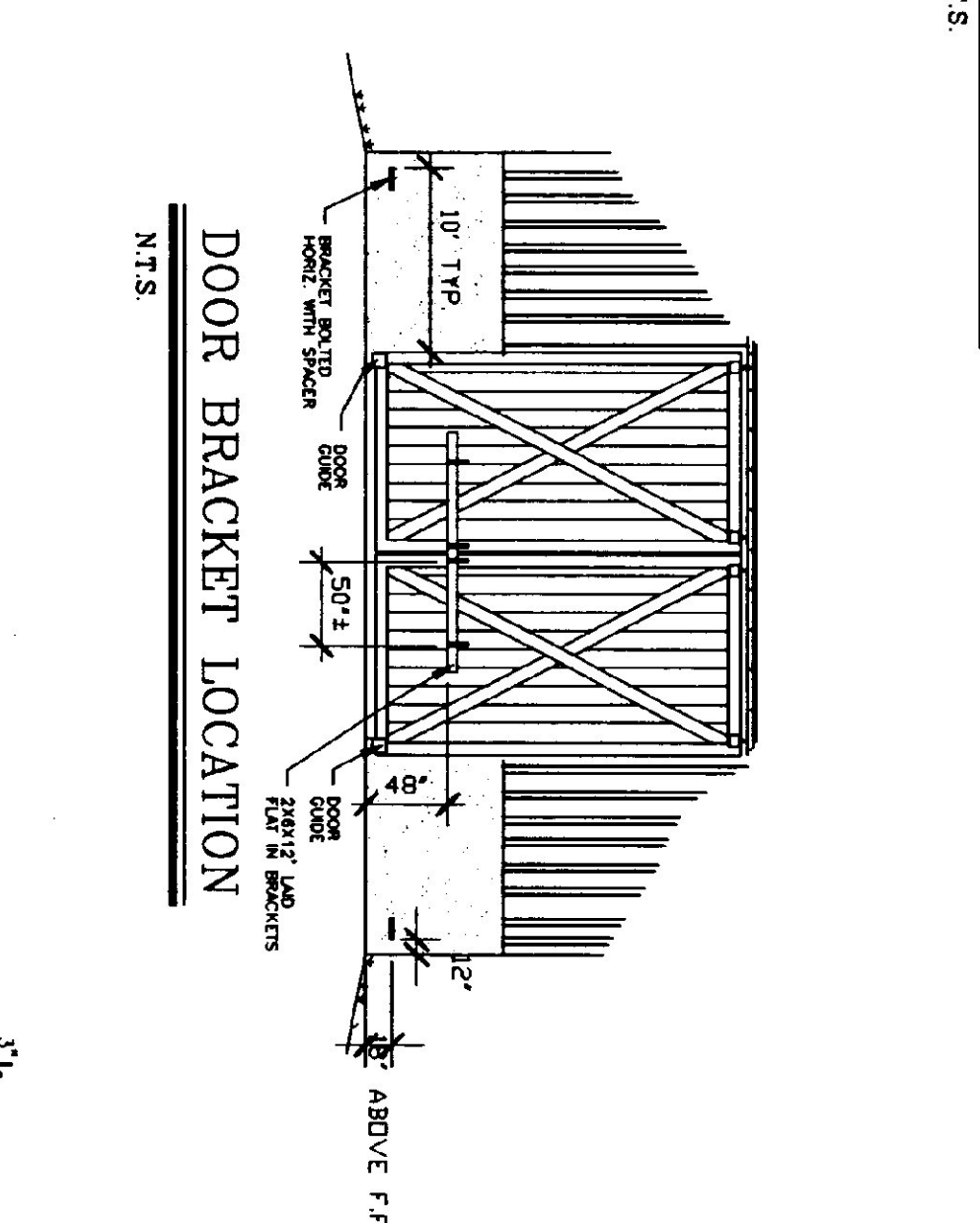
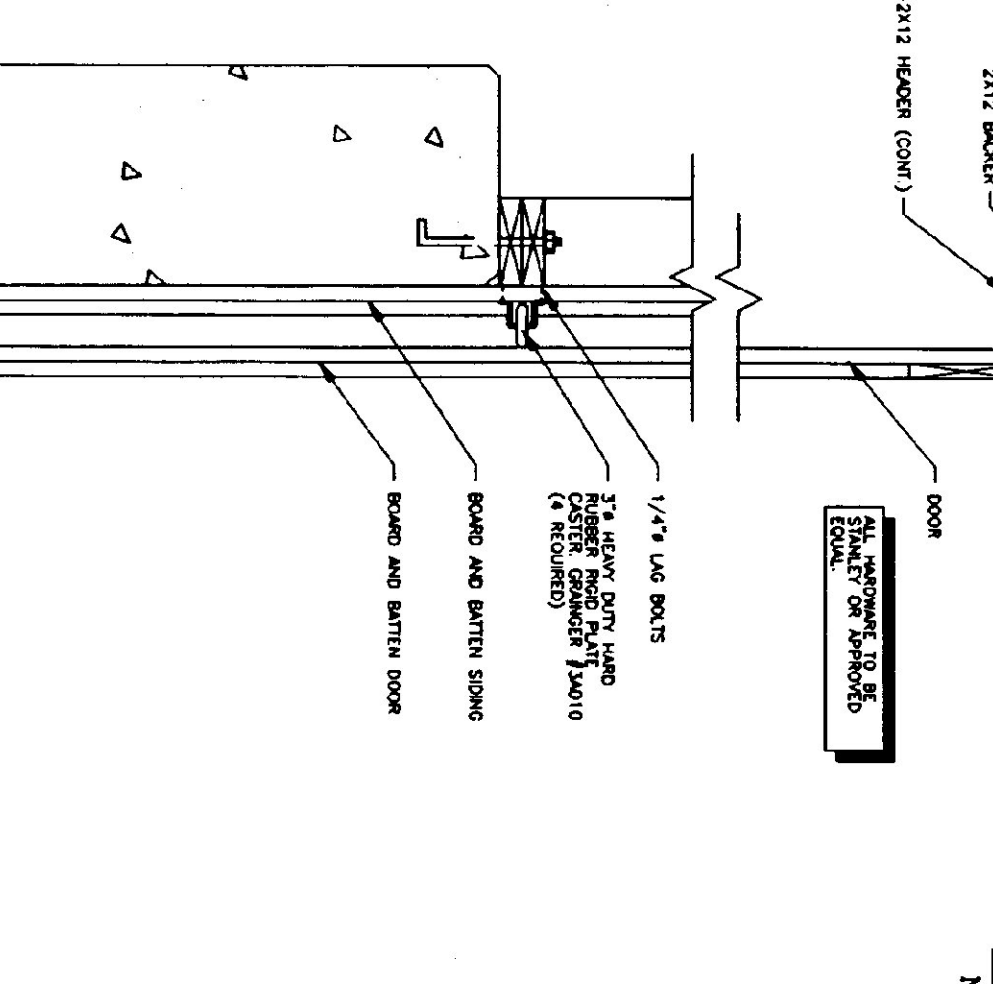
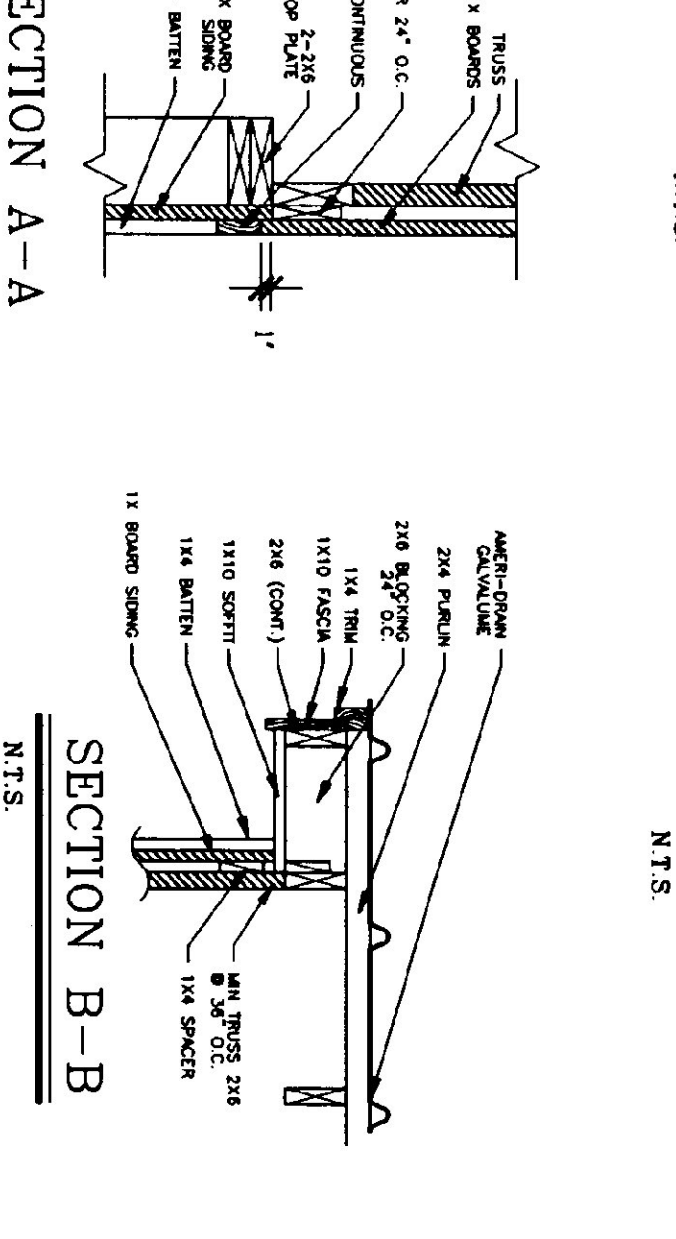
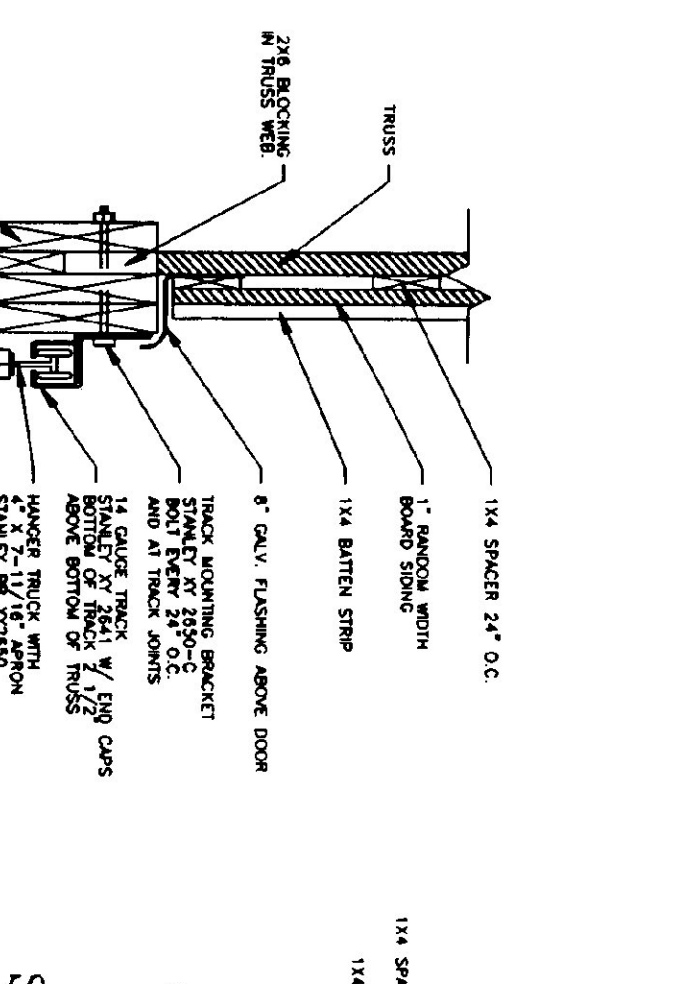
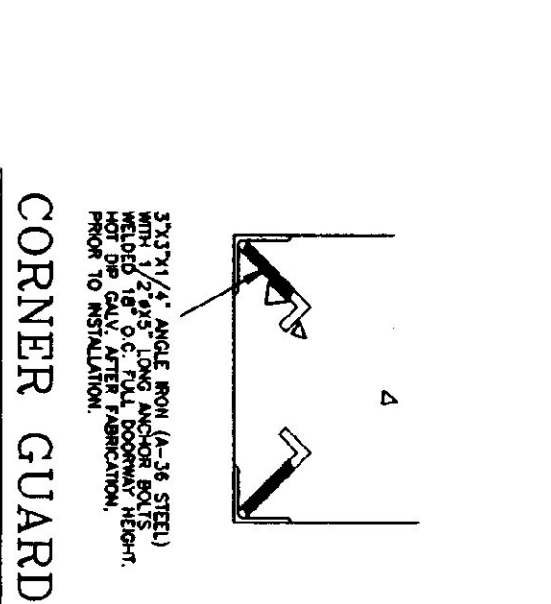
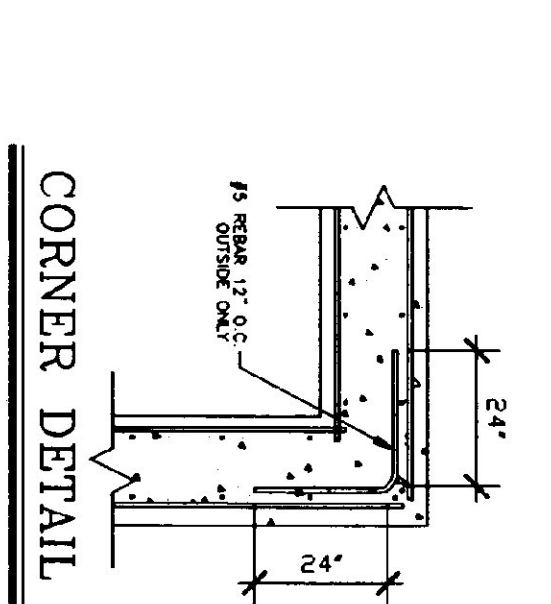
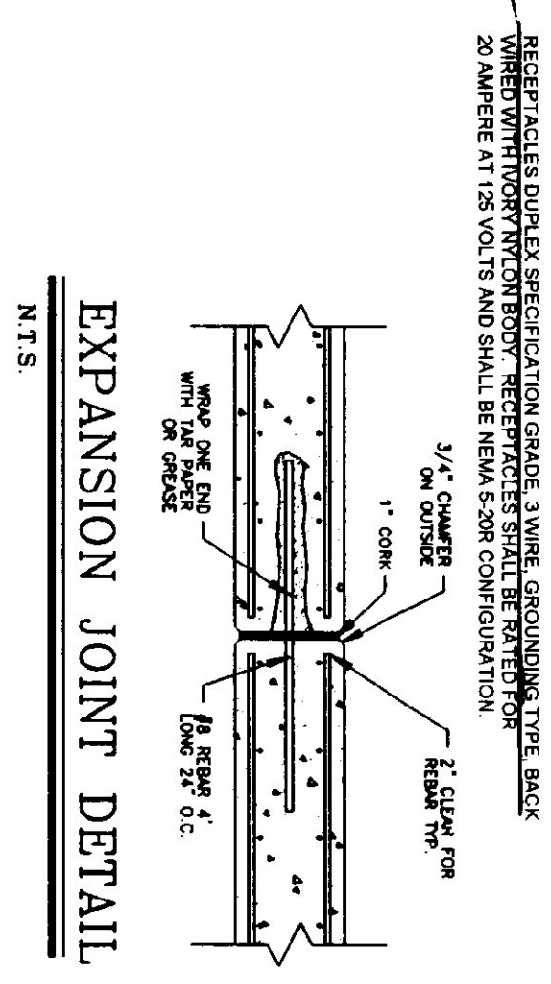
**FRONT ELEVATION**  
SCALE: 1/8" = 1'-0"



**BACK ELEVATION**  
SCALE: 1/8" = 1'-0"

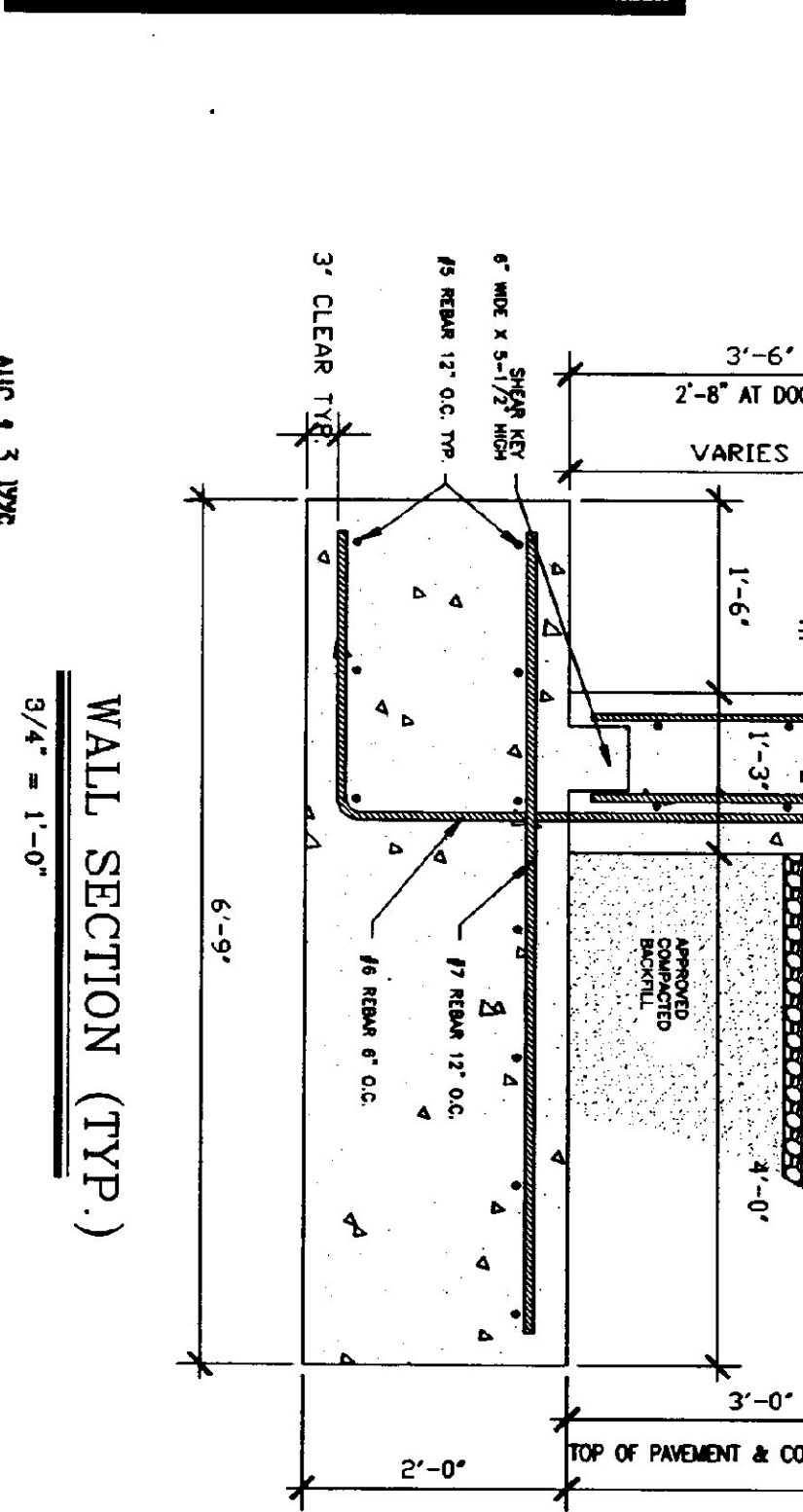
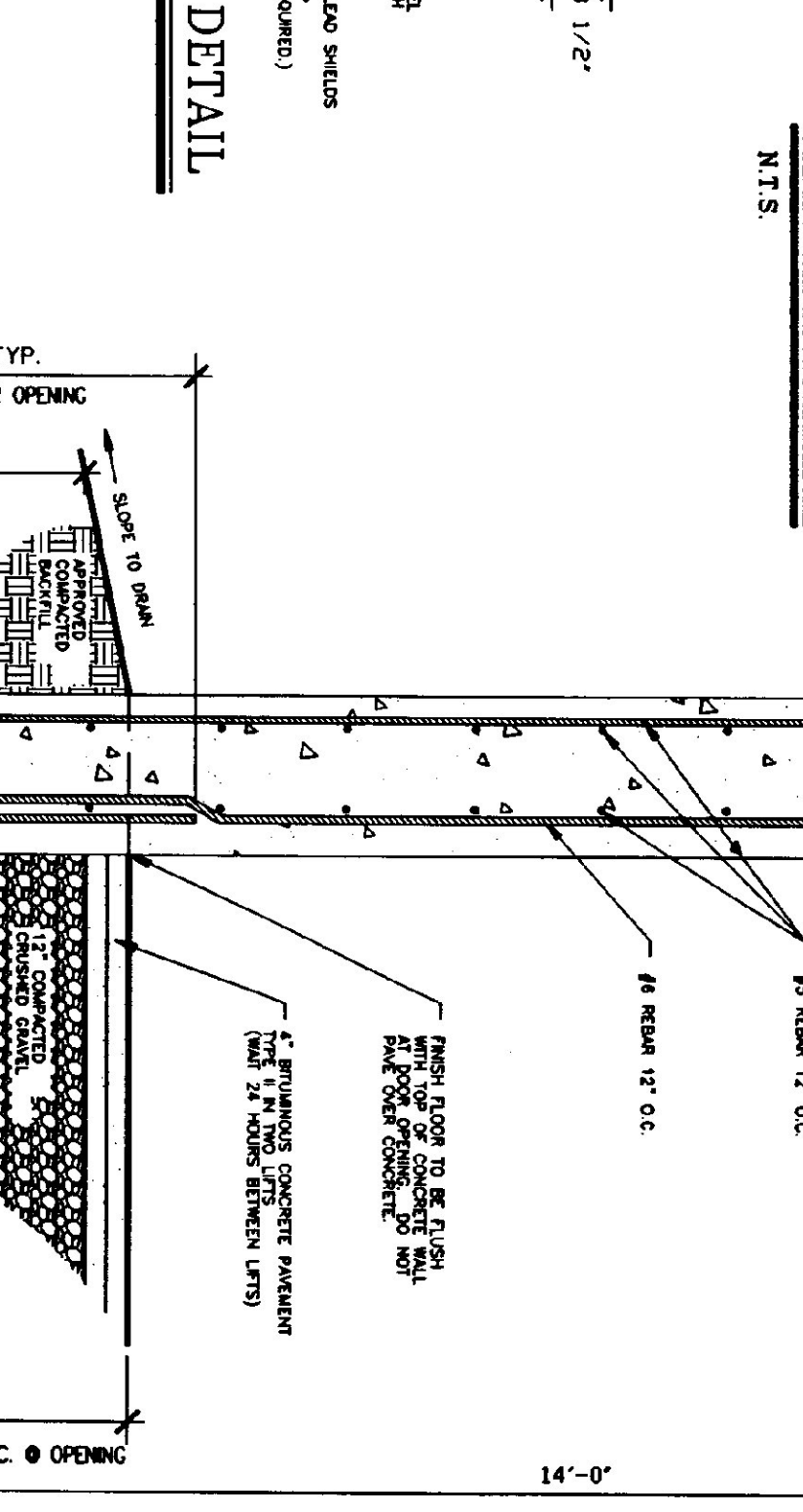
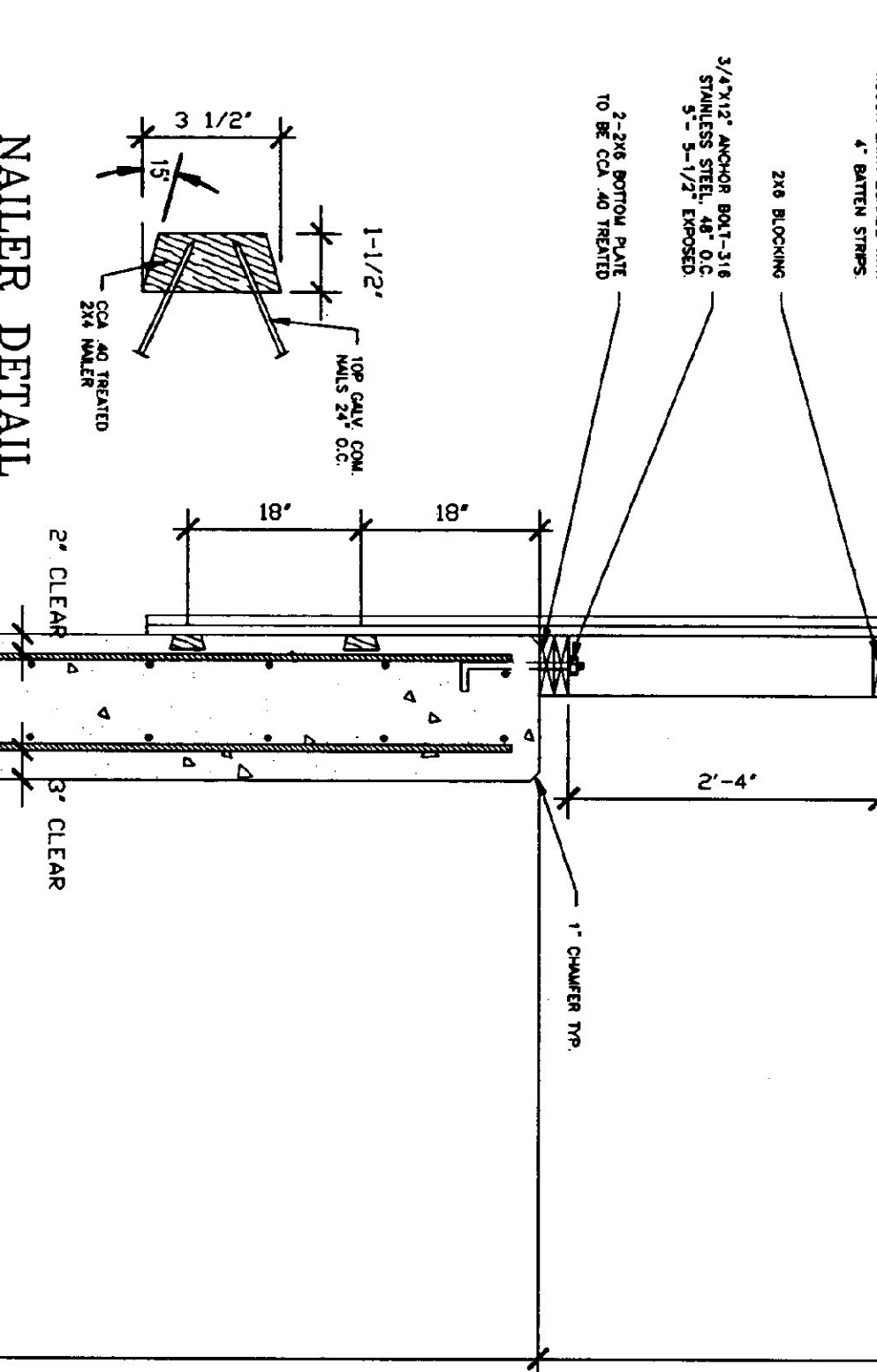
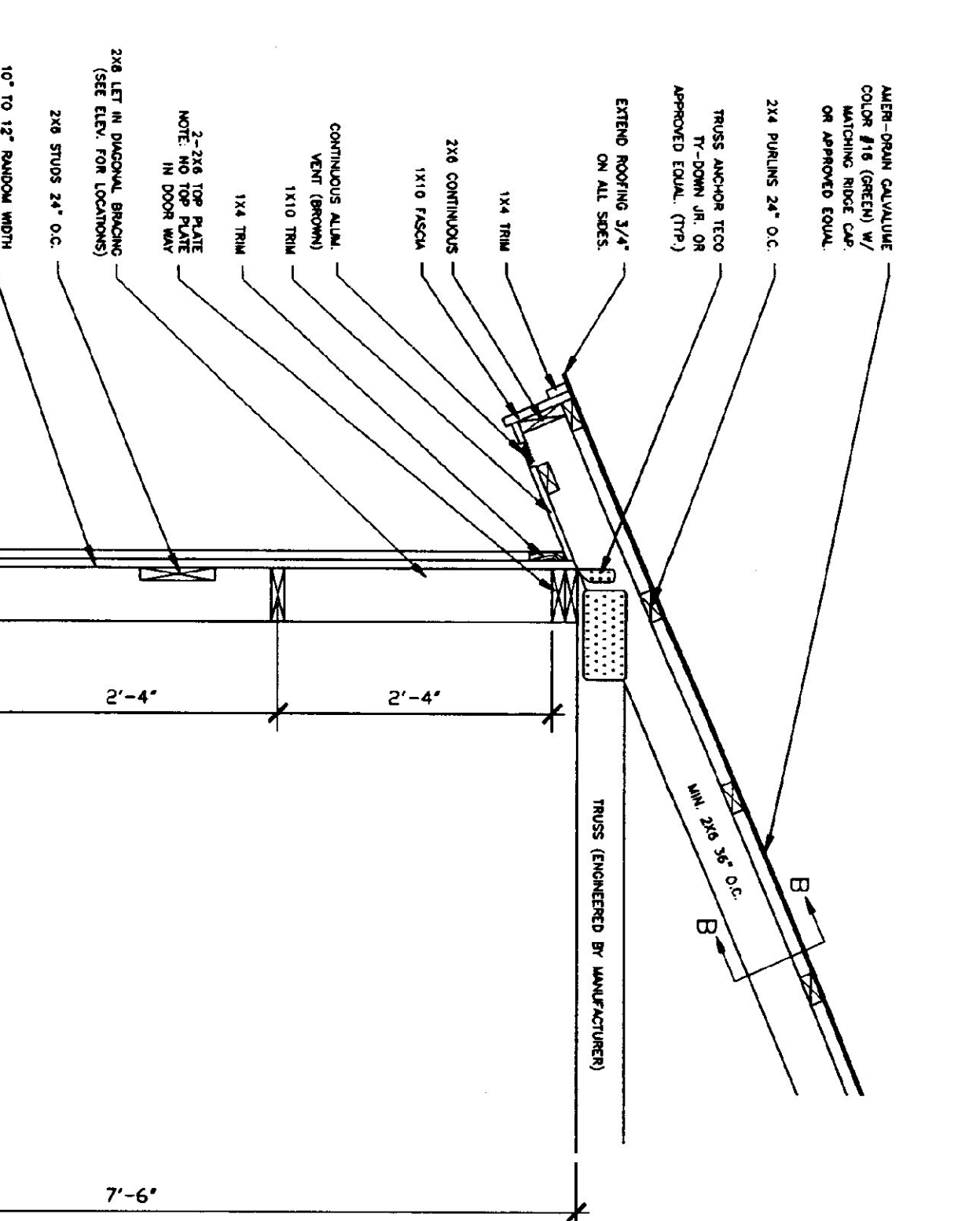


**SIDE ELEVATION**  
SCALE: 1/8" = 1'-0"



**TRUSS NOTES:**  
1. THIS MANUFACTURER TO PROVIDE THE DET. OF STATE BUILDING DEPARTMENT'S LIST OF ENGINEERED AND STANDARD DRAWINGS FOR APPROVAL FROM THE STATE BUILDING DEPARTMENT TO PROTECT THE CONSTRUCTION WITH ALL THE NECESSARY TRUSS MANUFACTURER'S INFORMATION AND APPROVED DRAWINGS, ETC.  
2. TRUSS DESIGN IN ACCORDANCE WITH THE 1987 B.O.C.A. FOR VERMONT UNIFORM LOADS.  
3. LVL - 30 P.S.F. - PER 1987 B.O.C.A. FOR VERMONT.  
4. D.O.D. - 2\"/>

**GENERAL NOTES:**  
1. ALL EXPOSED WELLS (SPINNER ANCHORS, DOOR GUIDES, BRACKETS ETC.) SHALL BE PAINTED FLAT BLACK (3 MILS THICK, DRY, W/AN OVER NIGHT PRIMING PRIMER).  
**CONCRETE NOTES:**  
1. ALL CONCRETE TO BE 3000 PSI @ 28 DAYS WITH A MAXIMUM SLUMP OF 4\"/>



<p>50' X 64' SAND-SALT SHED</p>	<p>SCALE: AS NOTED</p>	<p>REVISIONS 12-29-97 GDN. 7-8-98</p>	<p>LOCATION &amp; BUILDING 50 X 64 SALT SHED</p>	
	<p>DATE: JAN 1997</p>	<p>CANAAN</p>		
<p>A-2</p>	<p>DRAWN BY: G. D. NORWOOD</p>	<p>APPR. BY:</p>	<p>VERMONT</p>	<p>VERMONT</p>