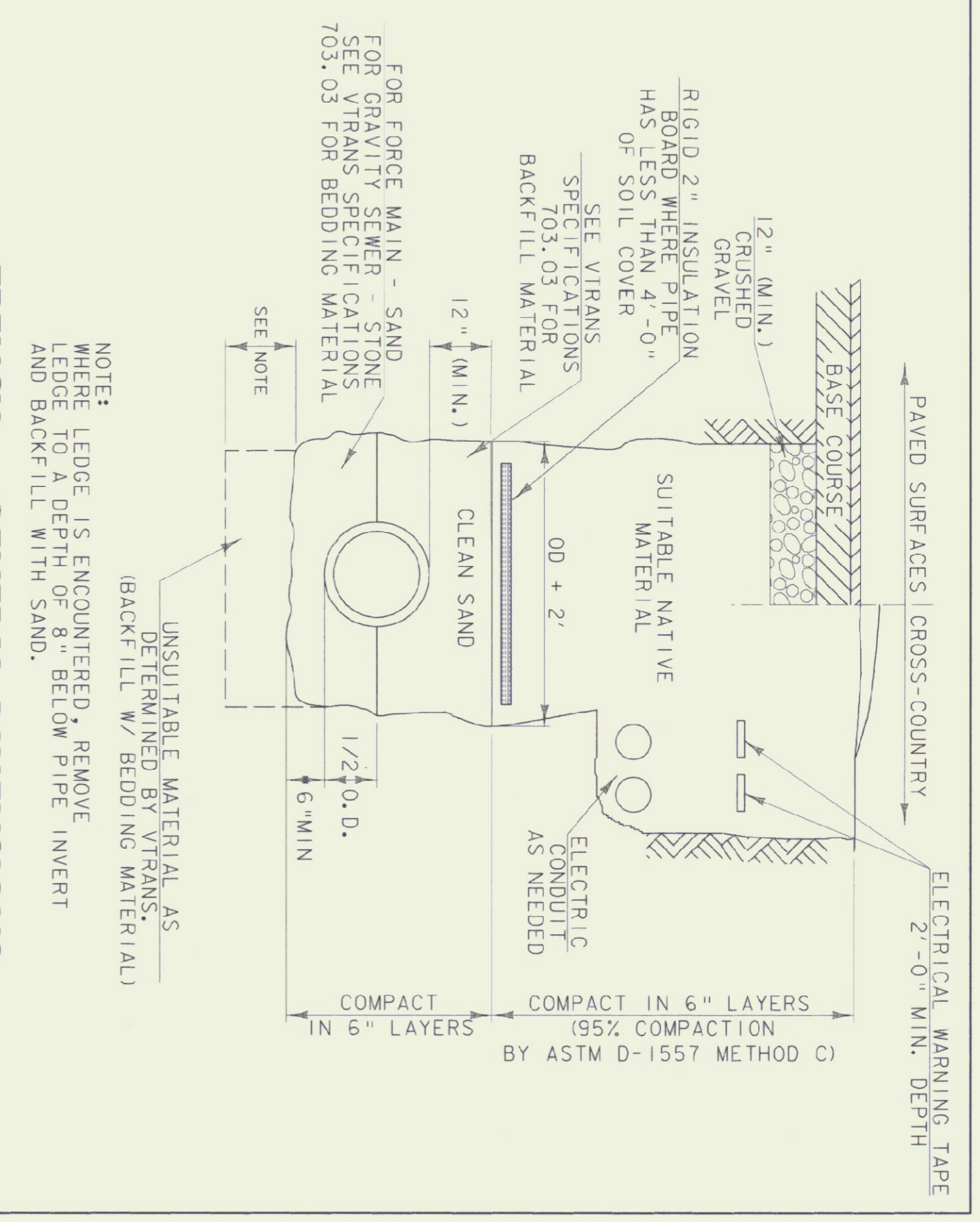


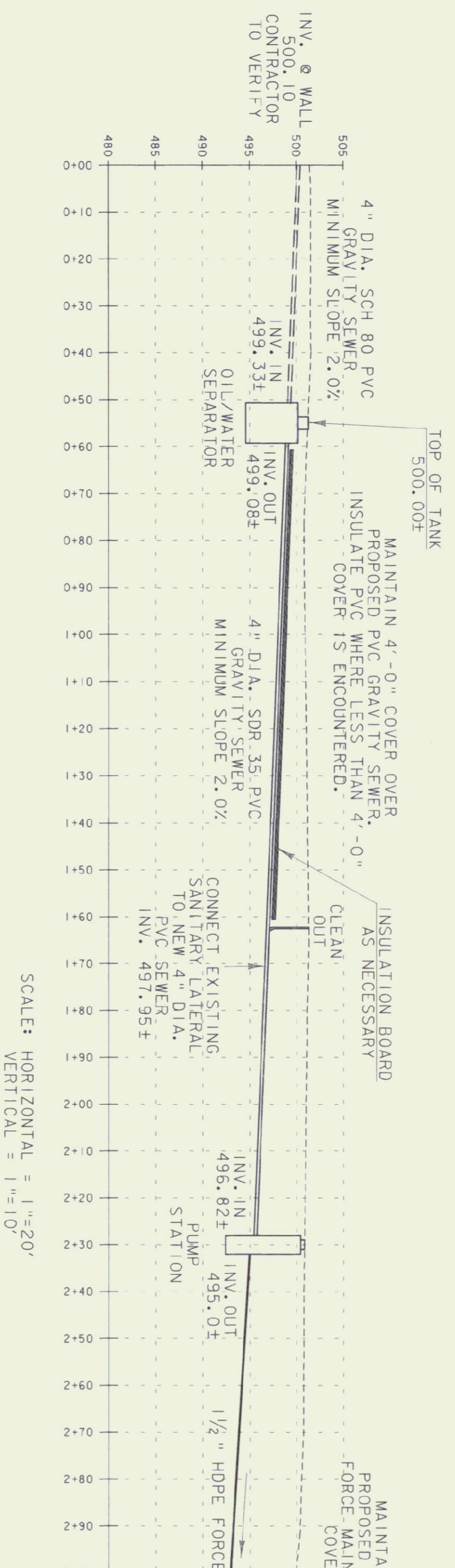
COVER TO BE REINFORCED TO SUPPORT WASH TO H-20 WHEEL LOAD



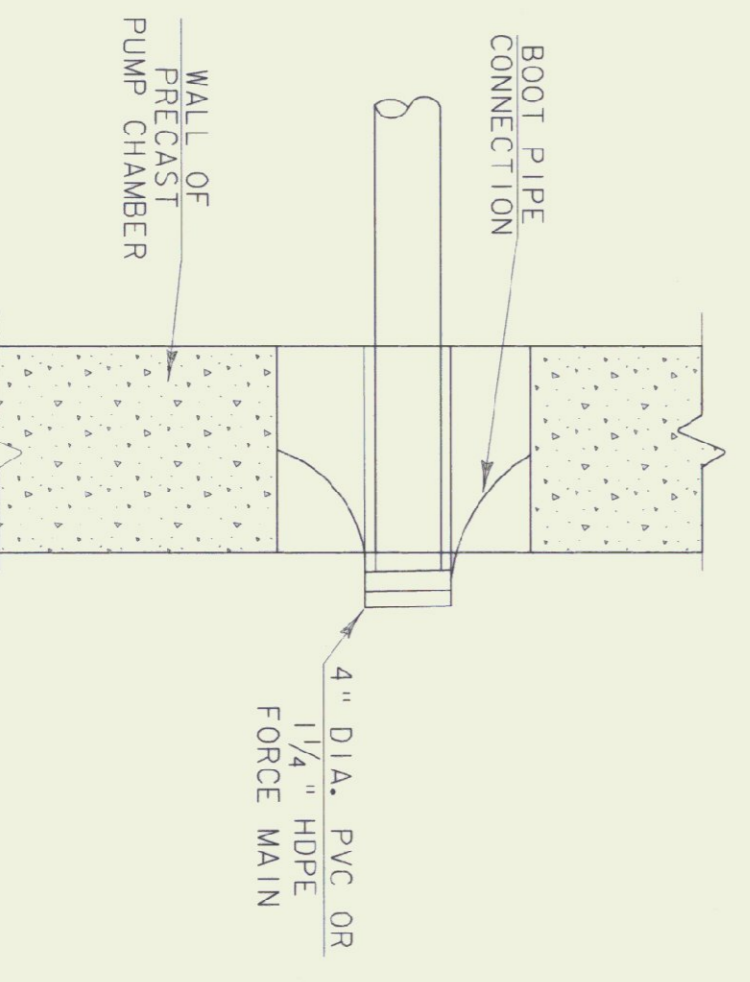
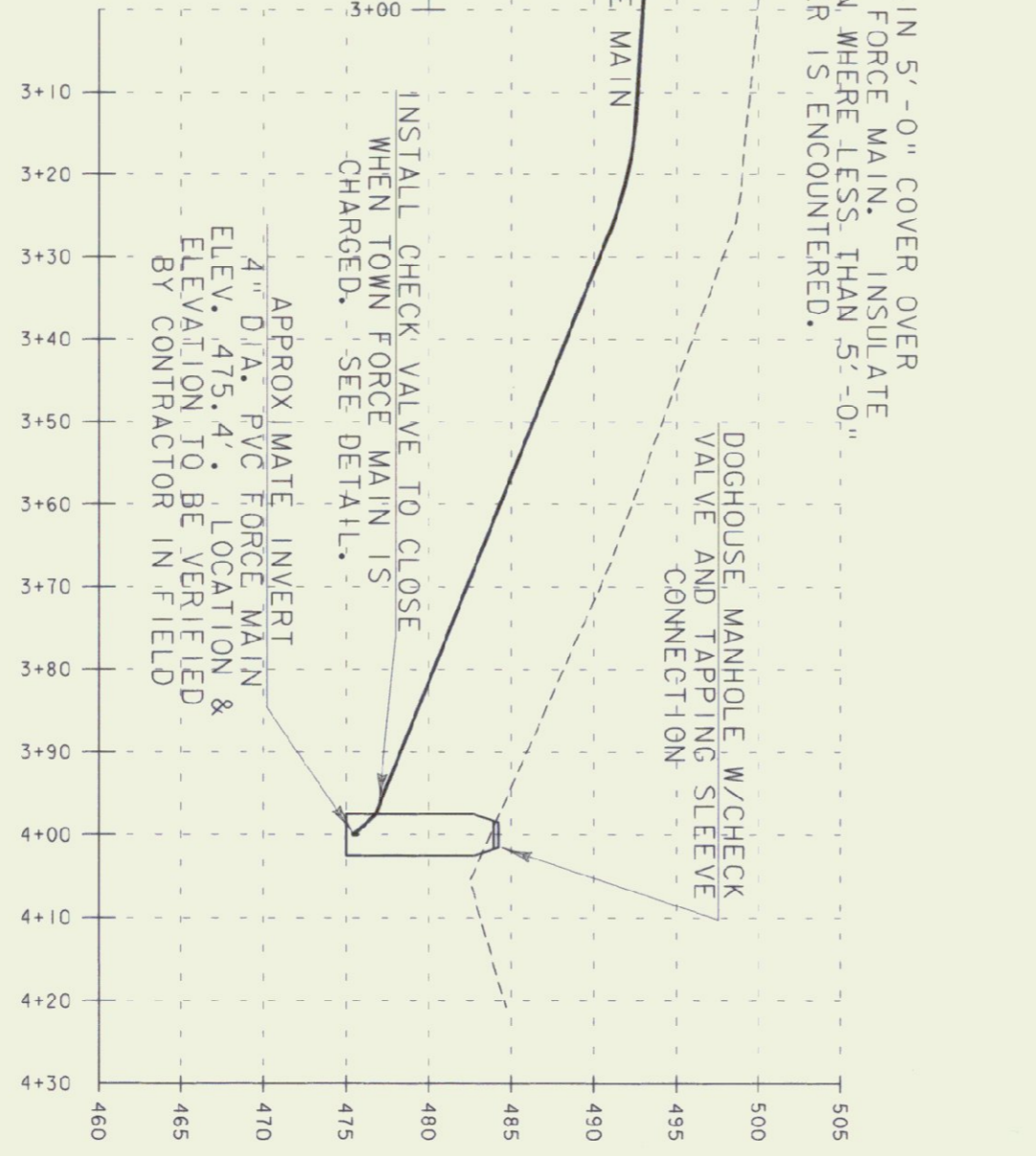
VERTICAL SIMPLEX PUMP STATION DETAIL

TRENCH - GENERAL DIMENSIONS (EARTH CONSTRUCTION)

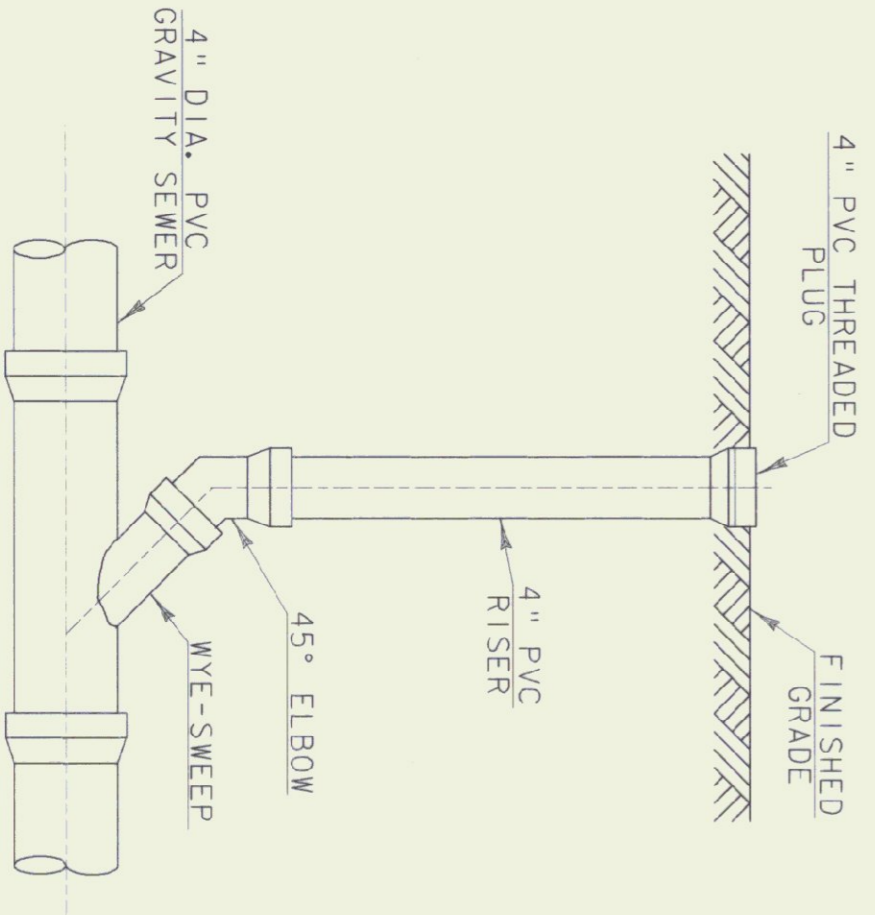
ALL DETAILS NOT TO SCALE



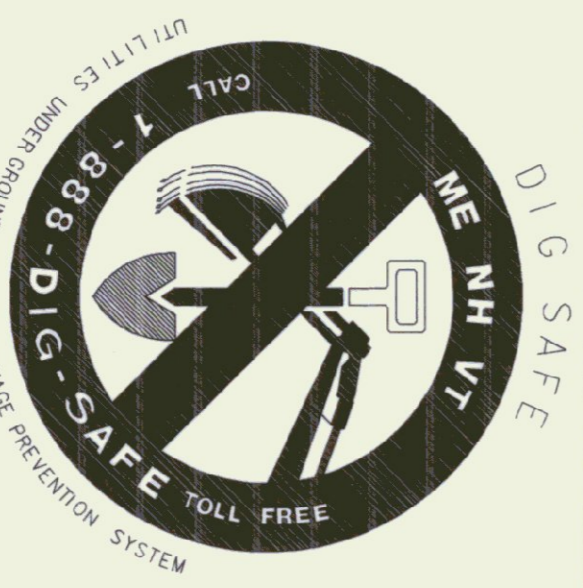
SCALE: HORIZONTAL = 1"=20'
VERTICAL = 1"=10'



GRAVITY / FORCE MAIN TO PUMP CHAMBER CONNECTION



SEWER CLEANOUT



CONTACT DIG SAFE 72 HOURS PRIOR TO CONSTRUCTION
THE LOCATION OF ANY UTILITY INFORMATION SHOWN ON THIS PLAN IS APPROXIMATE. CONSULT ENGINEERING, INC. LOCATED AT 256 ROUTE 5 SOUTH, NEWTON, VT 05655. CONTACT DIG SAFE AT 1-888-DIG-SAFE. THE CONTRACTOR SHALL CONTACT ON SITE. THE CONTRACTOR SHALL CONTACT DIG-SAFE AT 1-888-DIG-SAFE.

ALL DETAILS NOT TO SCALE



The Curtis House
256 Route 5 South • Newton, VT 05655
(802) 693-1534 • Fax (802) 693-1535
cdi@cdieng.com • www.cdieng.com
John • New Hampshire • Vermont

PROJECT NAME: BARTON STATE HIGHWAY GARAGE
PROJECT NUMBER: 01-0120
FILE NAME: 01-0120.dwg
PROJECT LEADER: CIH
DESIGNED BY: JMS
CHECKED BY: JMS
PLOT DATE: 03/07/2002
DRAWN BY: POU
SHEET 3 OF 5

