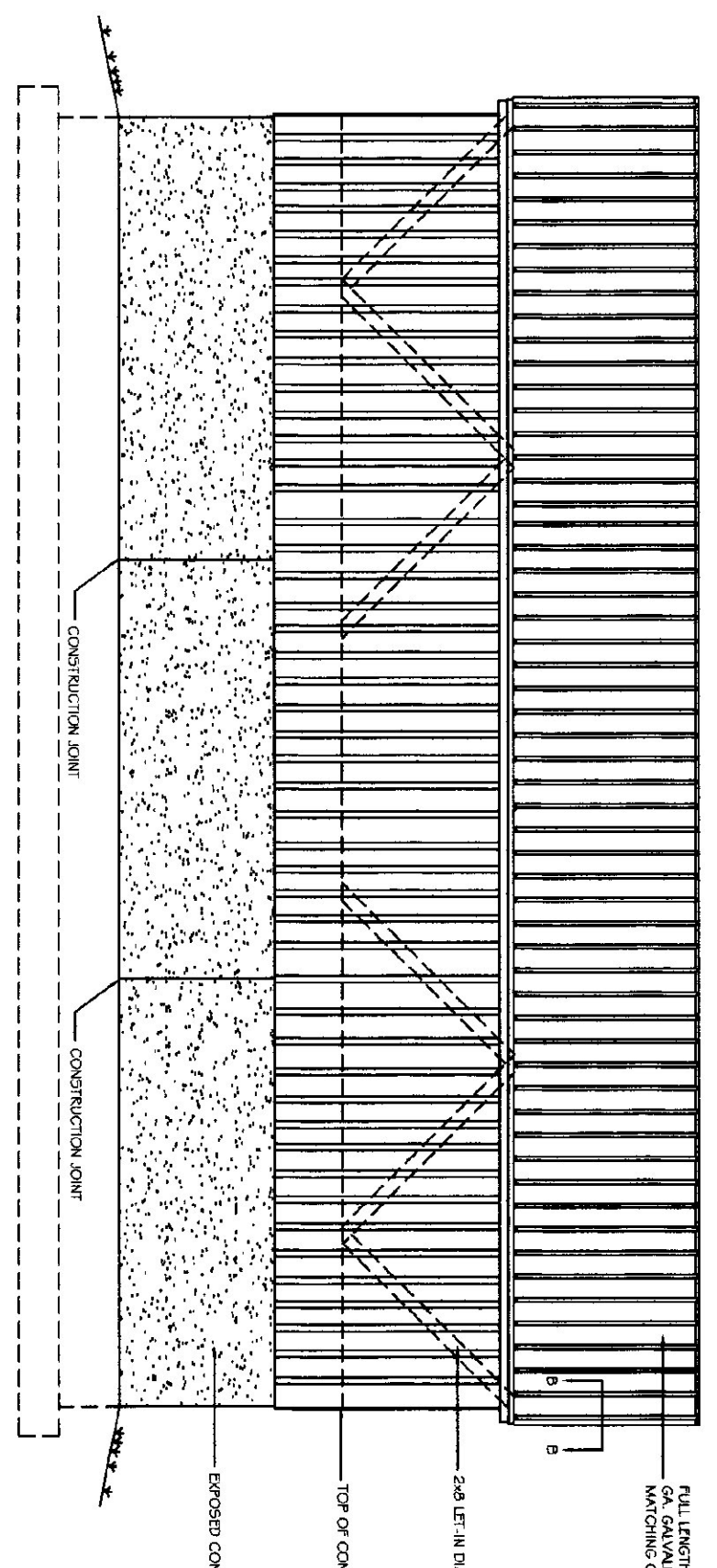
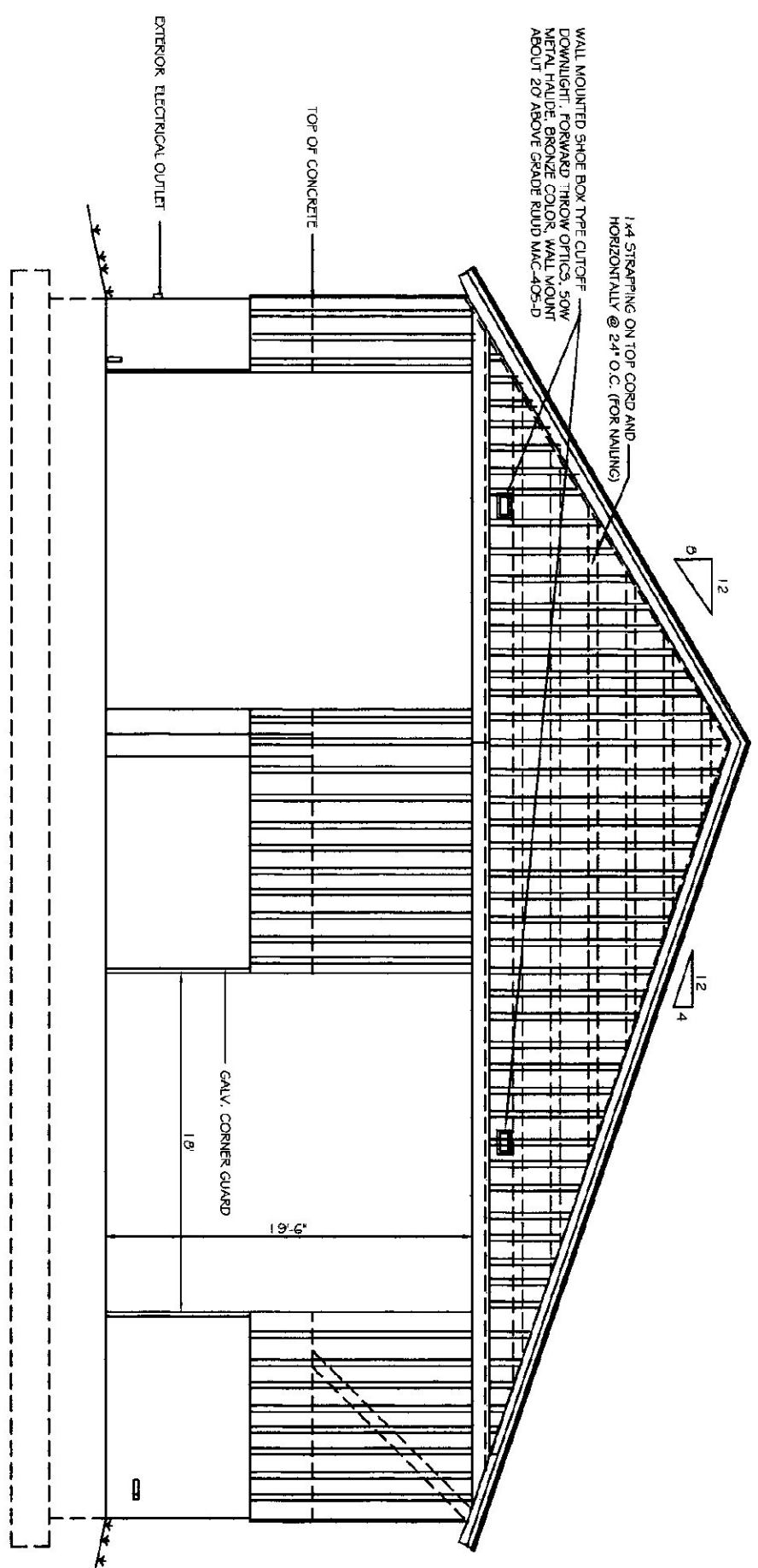


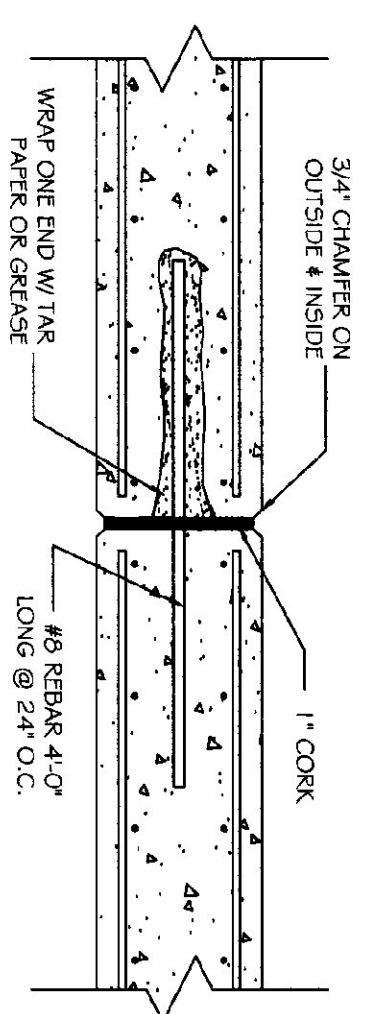
FOUNDATION PLAN  
SCALE: 1/8" = 1'-0"



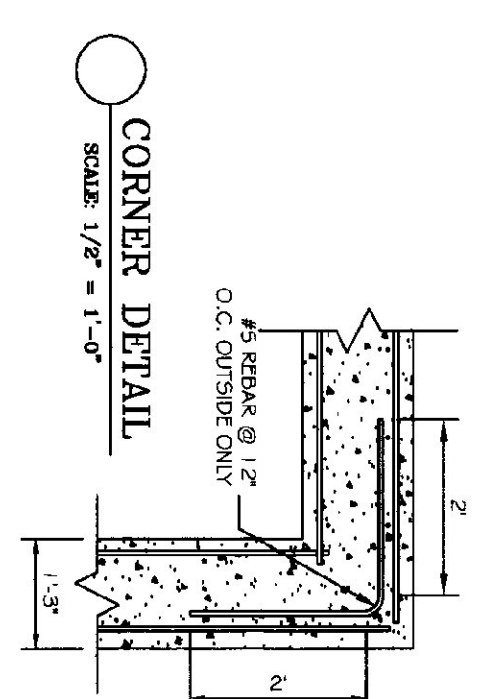
SIDE ELEVATION  
SCALE: 1/8" = 1'-0"



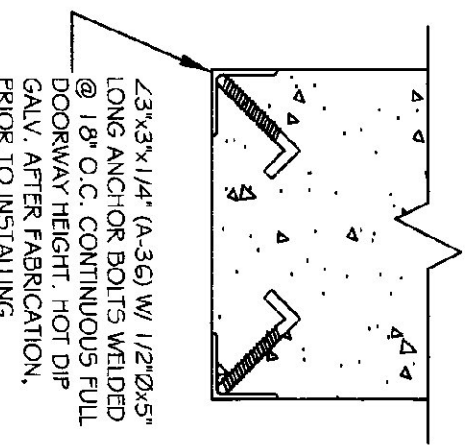
FRONT ELEVATION  
SCALE: 1/8" = 1'-0"



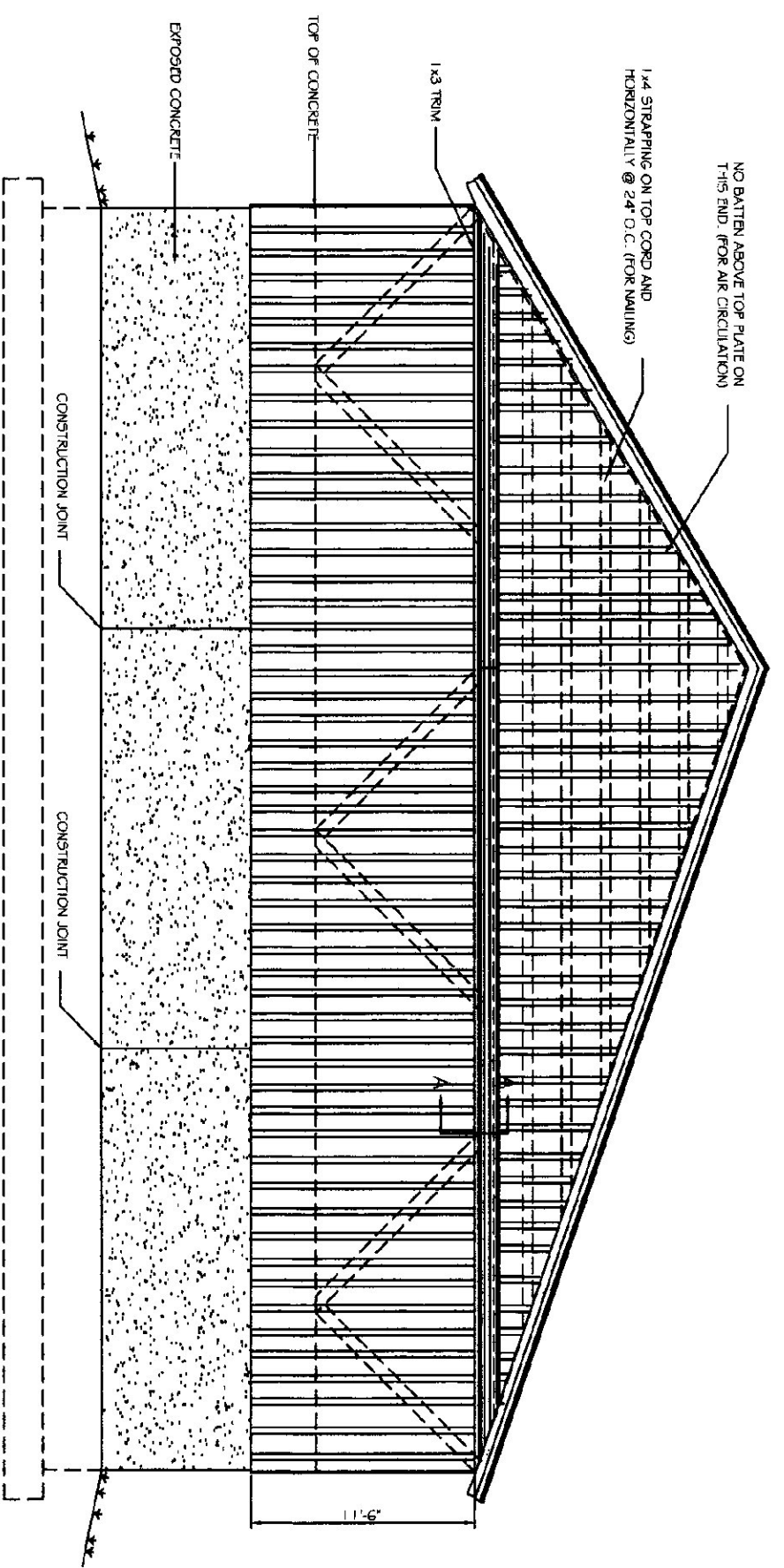
EXPANSION JOINT DETAIL  
SCALE: 3/4" = 1'-0"



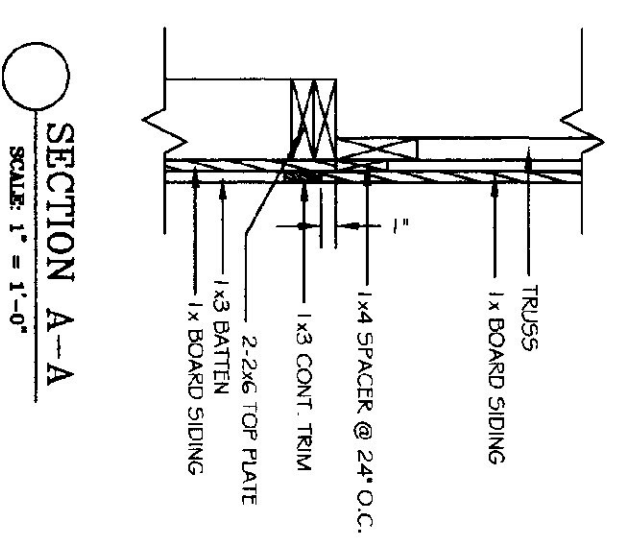
CORNER DETAIL  
SCALE: 1/2" = 1'-0"



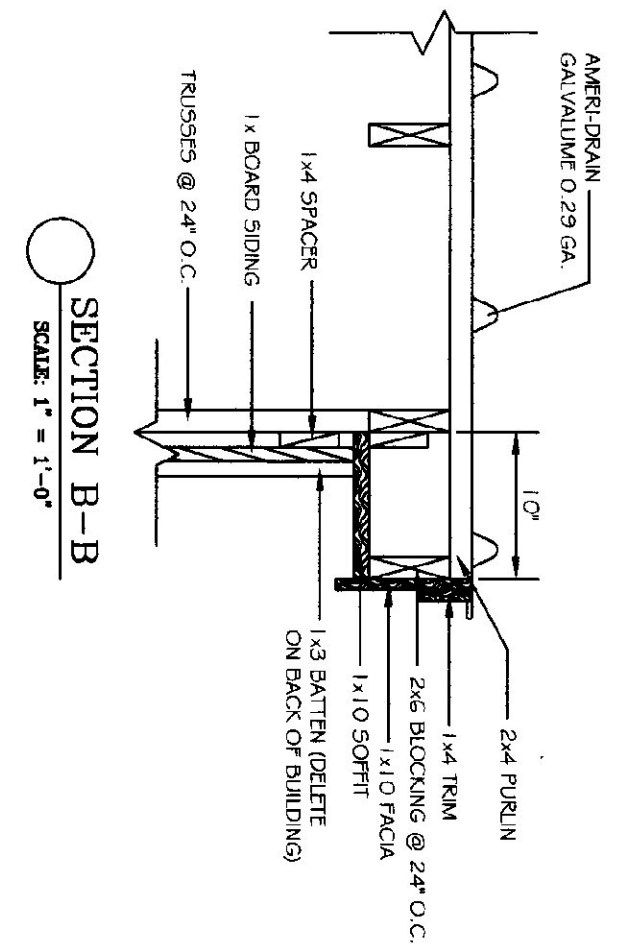
CORNER GUARD DETAIL  
SCALE: 1-1/2" = 1'-0"



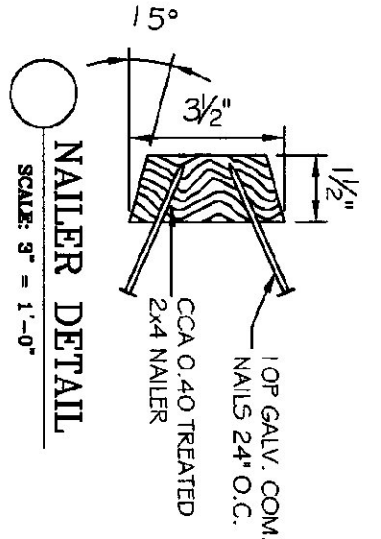
BACK ELEVATION  
SCALE: 1/8" = 1'-0"



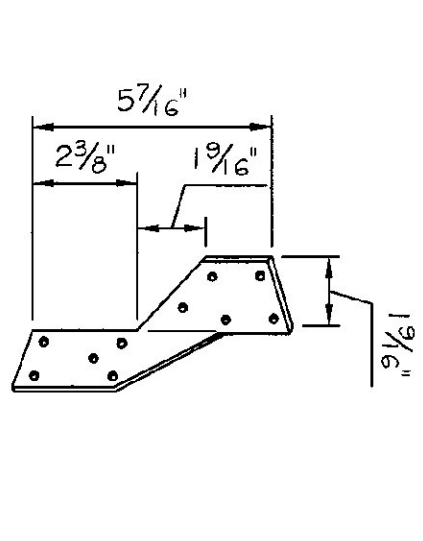
SECTION A-A  
SCALE: 1" = 1'-0"



SECTION B-B  
SCALE: 1" = 1'-0"



NAILER DETAIL  
SCALE: 3" = 1'-0"



HURRICANE CLIP DETAIL  
SCALE: 3" = 1'-0"

**GENERAL NOTES:**  
 ALL MATERIALS TO BE FURNISHED BY THE CONTRACTOR.  
 ALL PROPOSED METAL, EIGHT GALVANIZED CORNER ANCHOR, DOOR CURBS, BRACKETS, ETC. SHALL BE FINISHED 1/8" THICK (MIN. THICK. DR. MIN.) OVER RUST INHIBITING PRIMER.  
 ALL ELECTRICAL WORK SHALL COMPLY WITH N.E.C.  
 ALL PLUMBING AND BOARD A BATTEN SIDING MATERIALS SHALL BE INSTALLED USING APPROXIMATE 1/2" ZED GALVANIZED NUTS AND ACCORDING TO INDUSTRY STANDARDS.  
 ALL ROOFING WORK, BACK-FILL MATERIAL, FLOOR MATERIAL, ETC. TO BE SUBMITTED TO THE LUMBER SUPPLIER.  
 ROOFING COOK - (VY GREEN (AMER. DRAN))

**TRUSS NOTES:**  
 TRUSS MANUFACTURER TO SUBMIT TO THE RESIDENT ENGINEER A FULL SET OF ENGINEERED AND STAMPED DRAWINGS FOR APPROVAL PRIOR TO TRUSS MANUFACTURE.  
 TRUSS MANUFACTURER TO PROVIDE THE CONTRACTOR WITH ALL THE NECESSARY INSTRUCTIONS FOR PROPER TRUSS INSTALLATION, ANCHORAGE, BRACING, LIFTING, ETC.  
 TRUSS DESIGN IN ACCORDANCE WITH THE 1987 B.O.C.A. FOR VERMONT MINIMUM LOADS.  
 LIVE - 40 P.S.F. - PER 1994 VERMONT FIRE PROTECTION CODE  
 DEAD - AS CALCULATED FROM TRUSSES AND ROOF MATERIALS AND IN ADDITION 5 P.S.F. ON BOTTOM CHORD.  
 WIND - 25 P.S.F.  
 DIAGONAL BRACING PER TRUSS MANUFACTURER AND PER MINIMUM TRUSS BRACING DETAIL IN SPECIFICATIONS.

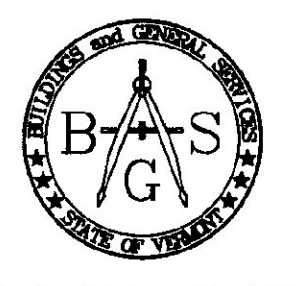
**LUMBER NOTES:**  
 FRAMING MEMBERS TO BE KILN DRIED CONST. GRADE SPRUCE 54S MAX. 19% MOISTURE CONTENT.  
 PLATES & NAILERS IN CONTACT WITH CONCRETE TO BE CCA 0.40 PRESSURE TREATED.  
 BOARD & BATTEN SIDING TO BE WHITE KODJAI SAWN EASTERN PINE, SPRUCE, WHITE PINE, OR RED PINE. BOARDS TO BE RANDOM WIDTH 8"-12" - BATTEN WIDTH 3".  
 BOARD SIDING & STRIPS TO BE FULL LENGTH (NO HORIZONTAL JOINTS). SIDING TO BE KILN DRIED TO MAX. 19% MOISTURE CONTENT BEFORE STAIN IS APPLIED.  
 ALL FASTENERS TO BE GALVANIZED.

**FINISH NOTES:**  
 ROOFING COLOR: AMERICAN IVY GREEN  
 ALL ROOFING & BATTEN TO BE STAINED WITH ONE COAT ON ALL SURFACES PRIOR TO INSTALLATION.  
 AFTER INSTALLATION EXTERIOR SIDING TO RECEIVE ONE (1) ADDITIONAL COAT OF STAIN. STAIN TO BE SHERWIN WILLIAMS OXFORD BROWN OR EQUAL. FIRST COAT WILL BE SHARPTONSPRINK & THE SECOND COAT WILL BE HIGH-TONER STAIN.

**CONCRETE NOTES:**  
 CONCRETE TO BE CLASS "B" PER A.O.T. STANDARD SPECIFICATION TABLE 501.03A WITH 5 # 1/2" x 19.68 ENVIROMENT, AND 2-4" SLUMP.  
 1/2" x 1/2" JOINTS IN PROPOSED FACE OF CONSTRUCTION JOINTS.  
 GALVANIZED L IRON CAST INTO WALL CORNERS AT DOOR OPENINGS.  
 REBAR TO BE CONTINUOUS THROUGH CONSTRUCTION JOINTS.  
 NO HORIZONTAL CONSTRUCTION JOINTS IN WALLS - CONTINUOUS FORM.  
 NO CONSTRUCTION OR EXPANSION JOINTS REQUIRED IN FOOTINGS.  
 CONTRACTOR TO LEAVE NO REBAR WITHIN 1" OF SURFACE. USE 1" DEEP PLASTIC CONES AT ALL TIES AND FLAG ALL THE HOLES WITH AN APPROVED NON-SHRINK GROUT.  
 ALL REBAR TO BE GRADE SO W/ 3" CLEARANCE ON ALL SIDES (UNLESS NOTED OTHERWISE). REBAR TO BE STICED ON BLOCKING 4" MINIMUM ABOVE GROUND.  
 CONCRETE SUPPLIER TO PROVIDE TEST CHIPS FOR CONCRETE TESTING SCHEDULED.  
 ALL CONCRETE TESTING TO BE DONE BY OWNER. CONTRACTOR IS RESPONSIBLE FOR SCHEDULED.  
 EXPOSED WALLS TO HAVE FORM JOINT RIDGES, TIE HOLES, AND CAVITIES DRESS FINISHED PER A.O.T. STANDARD SECTION 501.16.  
 WALL FORMS SHALL BE LEFT IN PLACE FOR 72 HOURS MINIMUM.  
 FOOTING FORMS SHALL REMAIN IN PLACE FOR 24 HOURS MINIMUM.  
 CONCRETE CURING SHALL FOLLOW IMMEDIATELY AFTER FORM REMOVAL PER A.O.T. STANDARD 501.17. WATER CURING WILL BE REQUIRED, UNLESS ALTERNATE MEANS OF CURING IS APPROVED IN WRITING, BY THE PROJECT ENGINEER.

**AGENCY OF TRANSPORTATION MONTGOMERY 65' X 64' SALT SHED PLANS AND DETAILS**

STATE OF VERMONT  
 Department of Buildings  
 and General Services  
 Agency of Administration  
 Montpelier, Vermont



AGENCY OF TRANSPORTATION  
 MONTGOMERY 65' X 64' SALT SHED  
 PLANS AND DETAILS  
 MONTGOMERY VERMONT

REVISIONS

SCALE: AS NOTED  
 DATE: MAY 2003  
 DRAWN BY: K. ROUELLE  
 APPR. BY: R. BARRY

AGENCY OF TRANSPORTATION  
 65' X 64'  
 SALT SHED  
 MONTGOMERY

S-1

1 OF 2