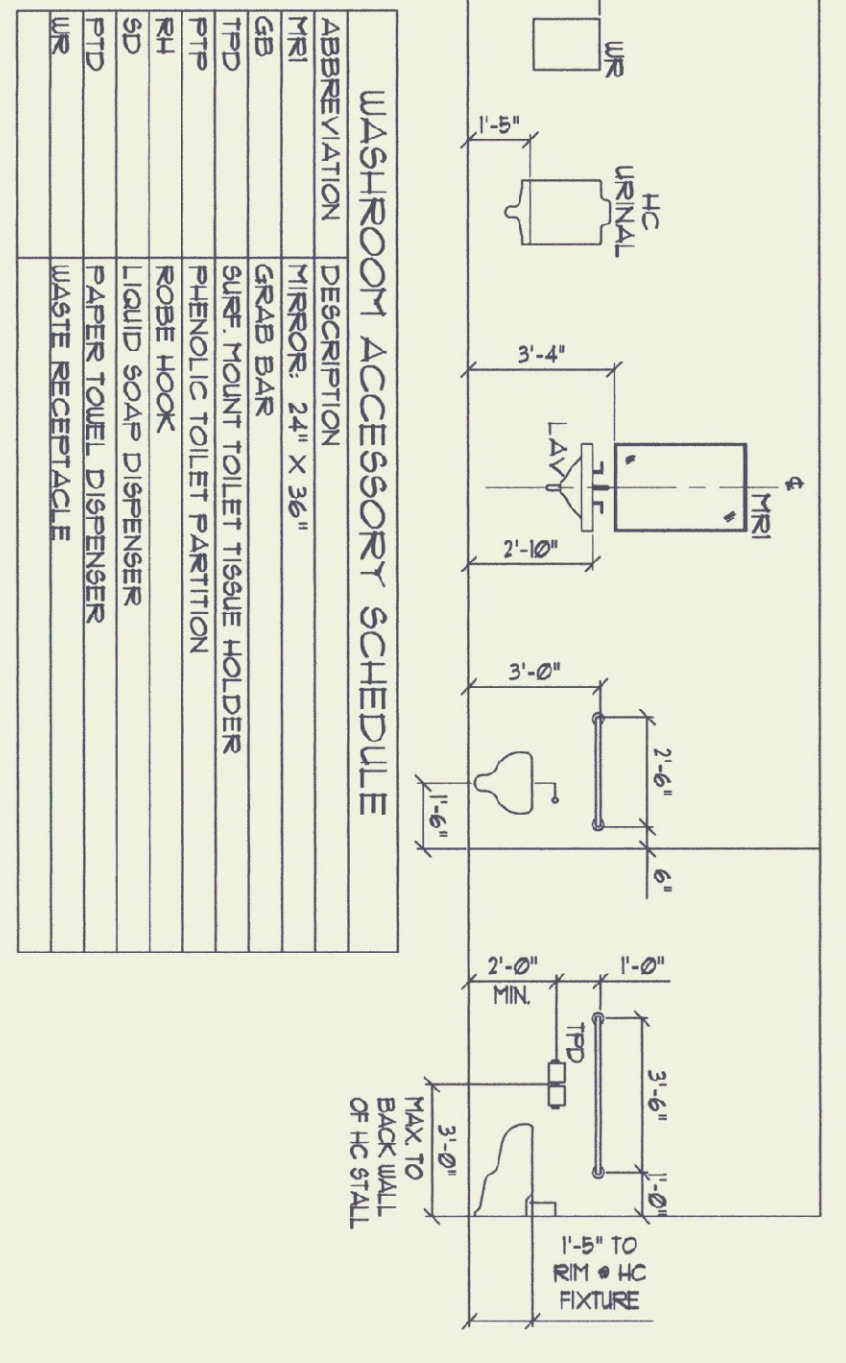
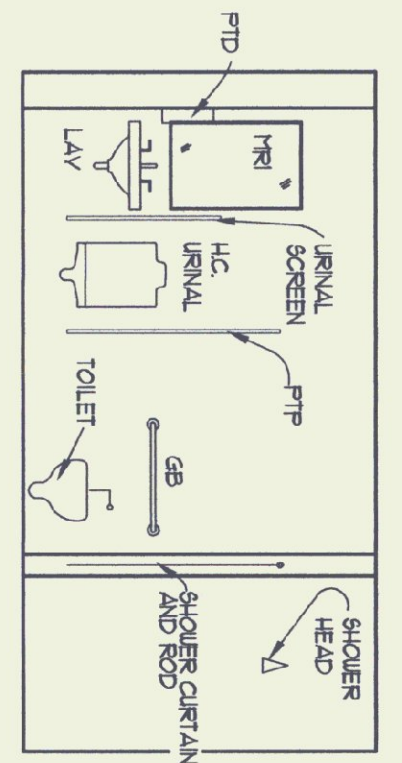


**TOILET RMS. PLAN DETAIL**

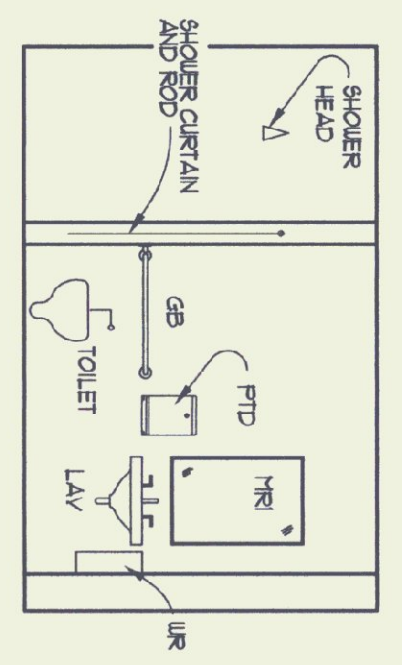
NOTE: PROVIDE ACCESS PANELS IN PLUMBING CHASE WALL AS REQUIRED - SEE PLUMBING DRUGS AND SPECS.



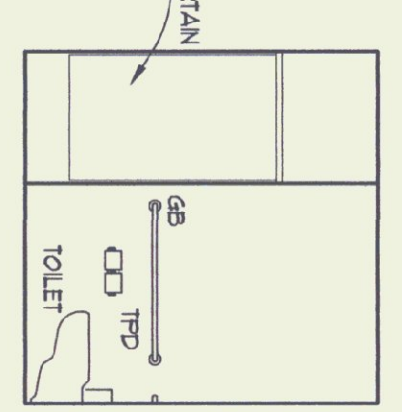
NOTES:  
1. GO TO RALLY GROUT ON BLOCK CELLS FOR MOUNTING ALL ACCESSORIES



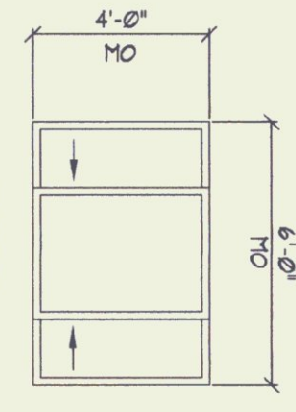
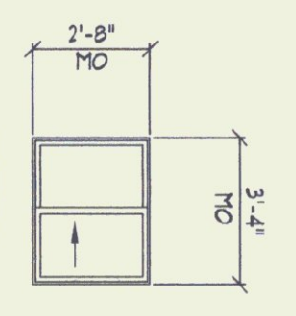
**TOILET ELEV.**



**TOILET ELEV.**



**TOILET ELEV.**

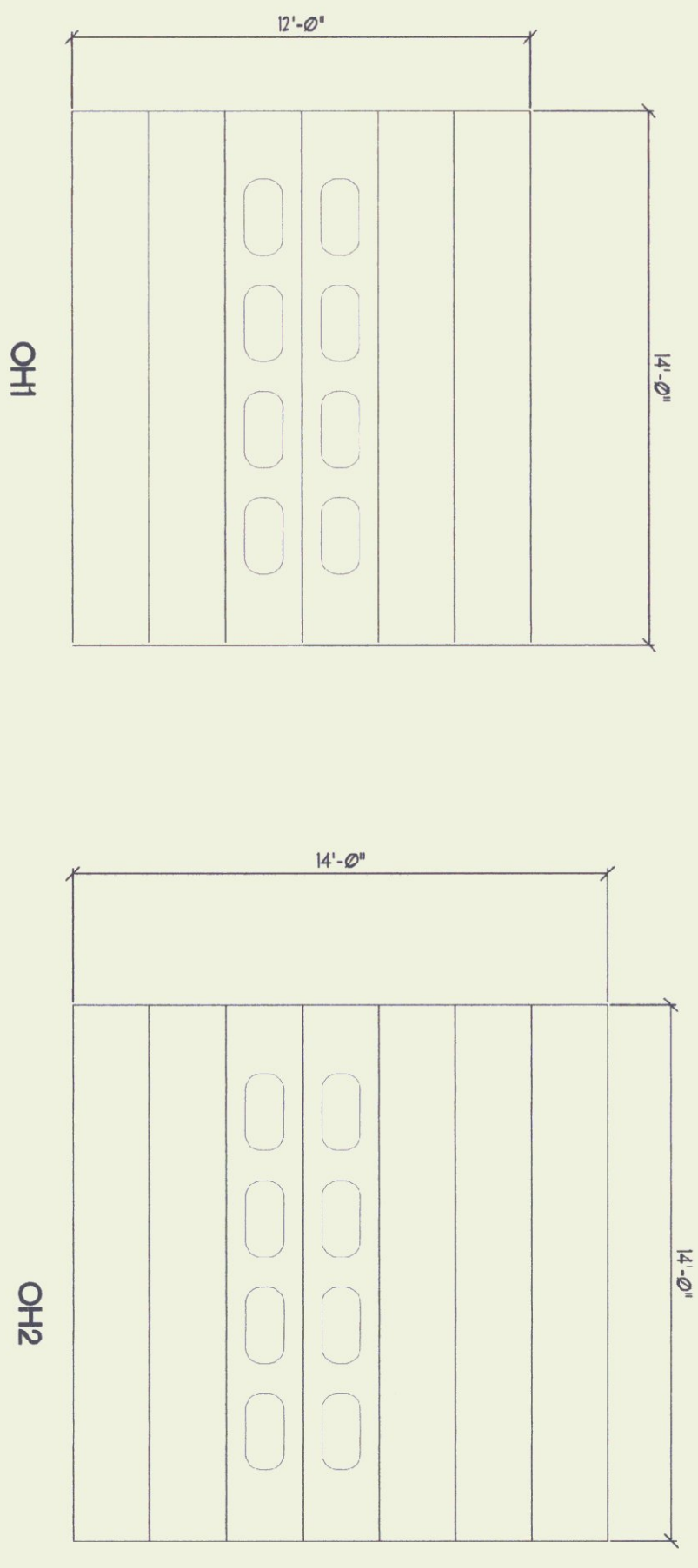
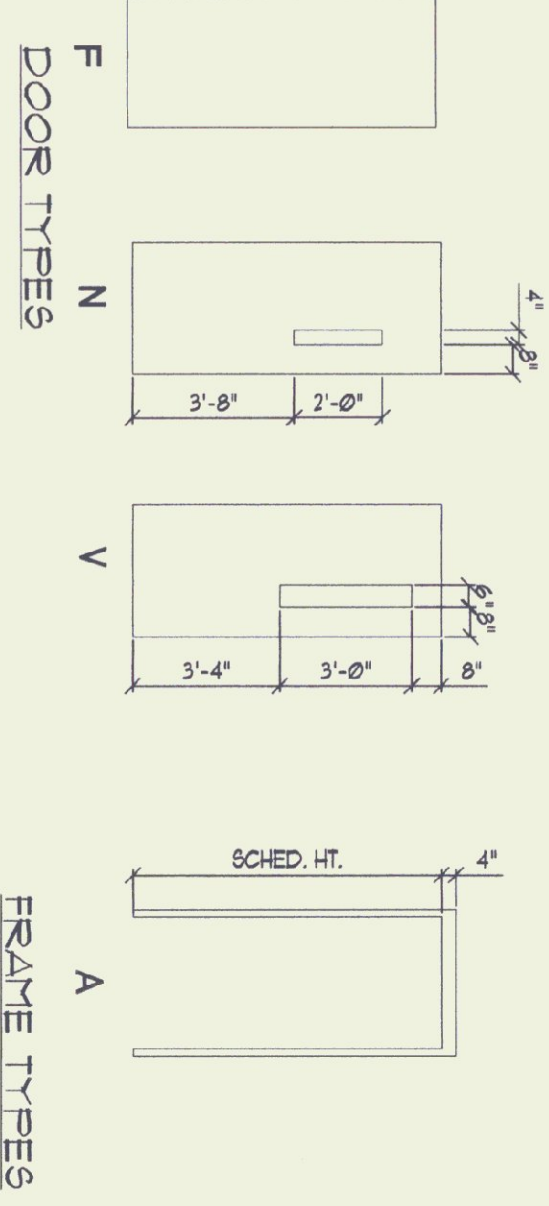


**WINDOW TYPES**

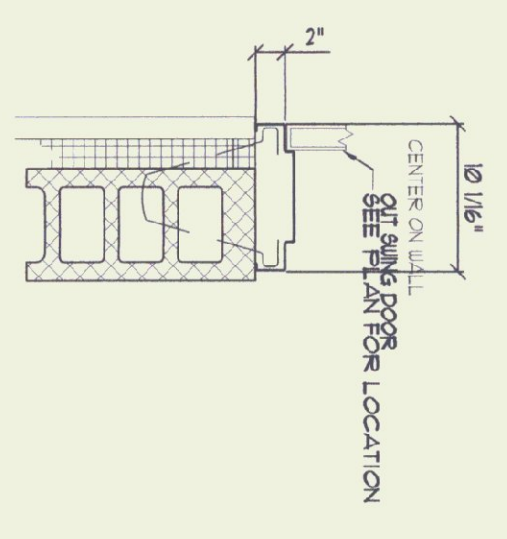
**DOOR & FRAME SCHEDULE (INCLUDING BORROWED LITES)**

DOOR NUMBER	TYPE	MATERIAL	FINISH	SIZE	FR. TYPE		FR. MATERIAL		FR. FINISH		FRAME		LABEL	REMARKS
					HT	WT	HT	WT	HT	WT	JAMB	SILL		
1	V	FT	FT	3'-0" X 7'-0"	A	HT	HT	FT	FT	FT	FT	-	-	-
2	OH	SLT	FT	4'-0" X 4'-0"	-	-	-	FT	FT	FT	FT	-	-	-
3	OH	SLT	FT	5'-0" X 7'-0"	-	-	-	FT	FT	FT	FT	-	-	-
4	N	HT	FT	3'-0" X 7'-0"	A	HT	HT	FT	FT	FT	FT	-	-	1/2 HOUR
5	N	HT	FT	3'-0" X 7'-0"	A	HT	HT	FT	FT	FT	FT	-	-	1/2 HOUR
6	F	HT	FT	3'-0" X 7'-0"	A	HT	HT	FT	FT	FT	FT	-	-	1/2 HOUR
7	F	HT	FT	3'-0" X 7'-0"	A	HT	HT	FT	FT	FT	FT	-	-	1/2 HOUR
8	F	HT	FT	DBL 3'-0" X 7'-0"	A	HT	HT	FT	FT	FT	FT	-	-	1/2 HOUR

NOTES:  
1. ALL DOORS ARE 1 3/4" THICK UNLESS NOTED OTHERWISE.  
2. INSULATE ALL EXT. INT. DOORS.  
3. ALL DOORS AND FRAMES ARE TO HAVE GALVANIZED PRIMER THEN PAINTED. SEE SPECS.  
DOOR SCHEDULE  
DOOR NUMBER LISTED IN SCHEDULE  
HARDWARE SET

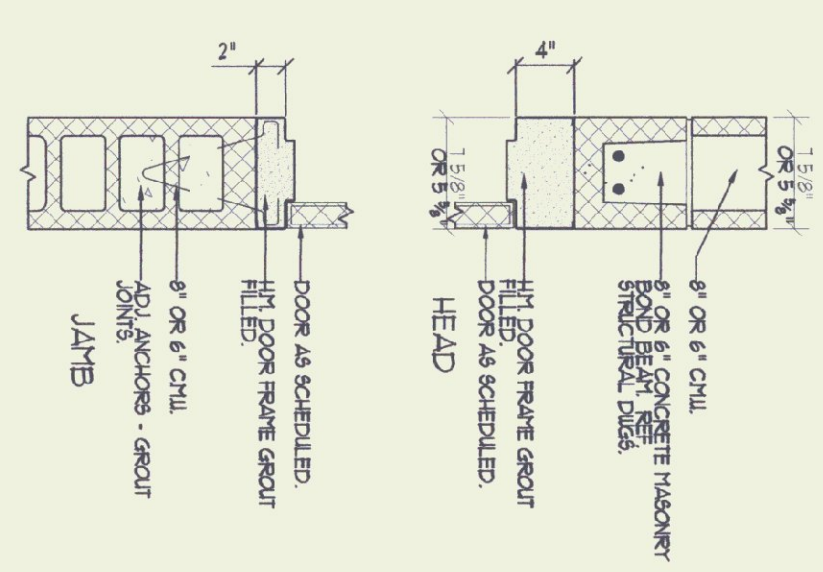


**DOOR AND FRAME TYPES**

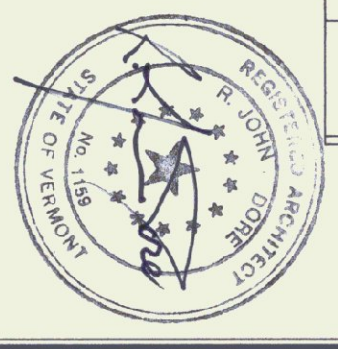


**TYP. EXT. DOOR JAMB**

NOTE:  
4" FRAME AT HEAD



**TYP. INT. DOOR JAMB**



**D&W**  
DORE AND WHITTIER, INC.  
Architects • Project Managers  
1795 WILLISTON RD, STE 5  
S. BURLINGTON, VT 05403  
Phone: (802) 863-1438  
Fax: (802) 863-6955  
1400 HANCOCK STREET  
QUINCY, MA 02169  
Phone: (617) 471-2897  
Fax: (617) 471-2516

STATE OF VERMONT  
DEPARTMENT OF BUILDINGS  
AND GENERAL SERVICES  
AGENCY OF ADMINISTRATION  
MONTPELIER, VERMONT

AGENCY OF TRANSPORTATION  
HIGHGATE MAINTENANCE FACILITY  
HIGHGATE VERMONT

REVISIONS

NO.	DATE	DESCRIPTION
1	9/24/01	SCALE: AS NOTED
2		DATE: 9/24/01
3		DRAWN BY: <i>AMP</i>
4		APPR. BY: <i>AMP</i>

HIGHGATE MAINTENANCE GARAGE

TOILET DETAILS  
DOOR SCHEDULE  
WINDOW TYPES