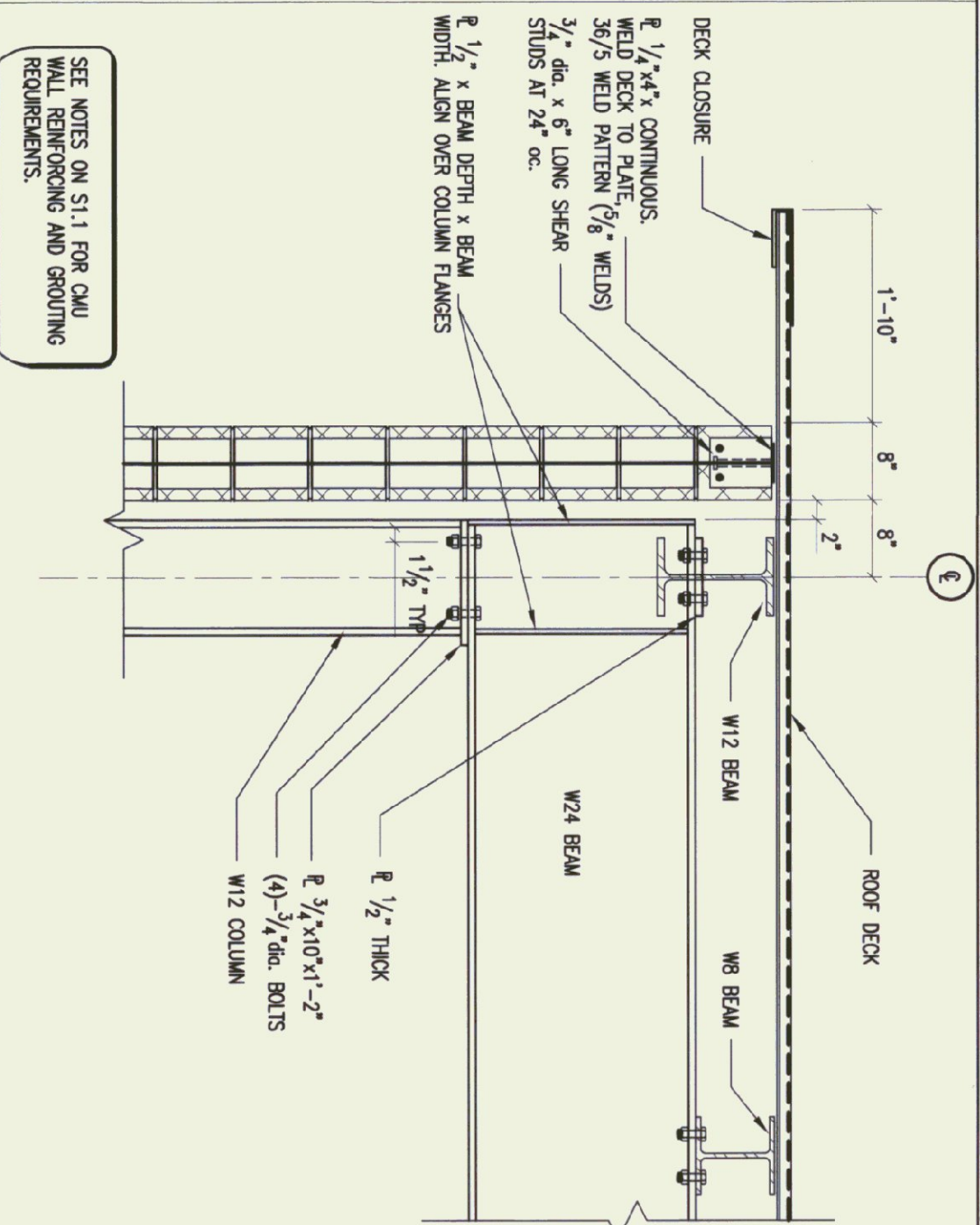
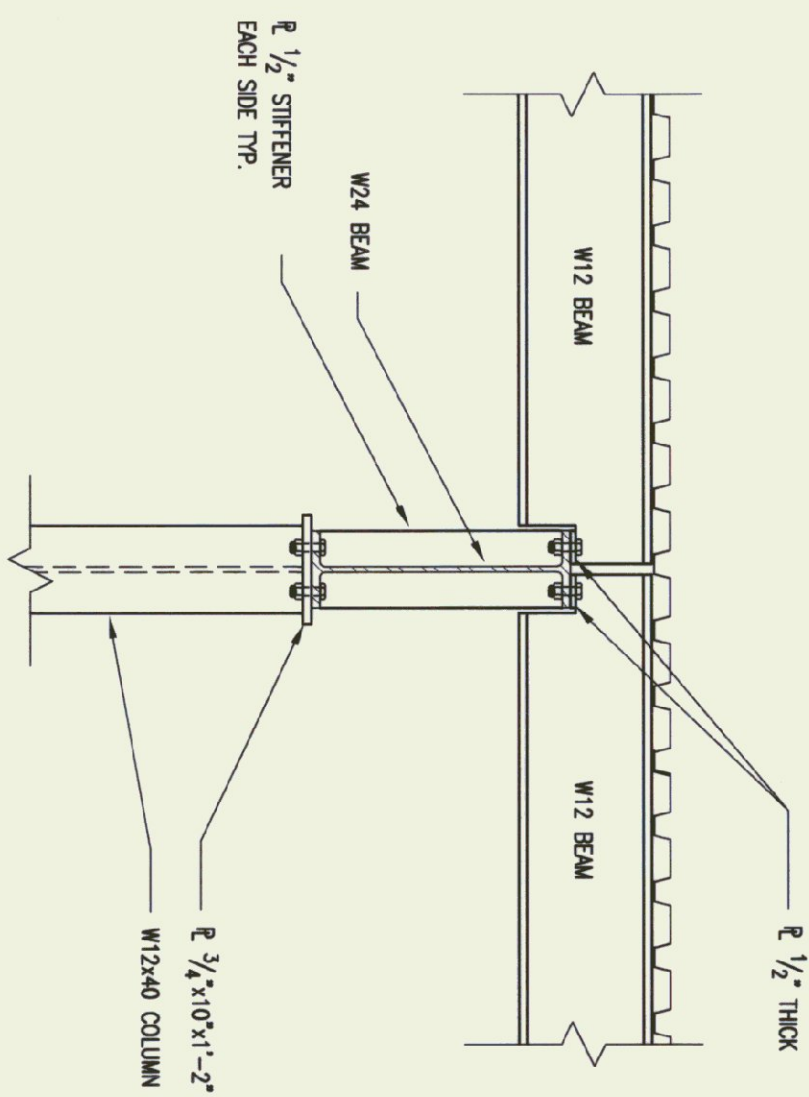


FRAMING DETAIL
1
3/4" = 1'-0"

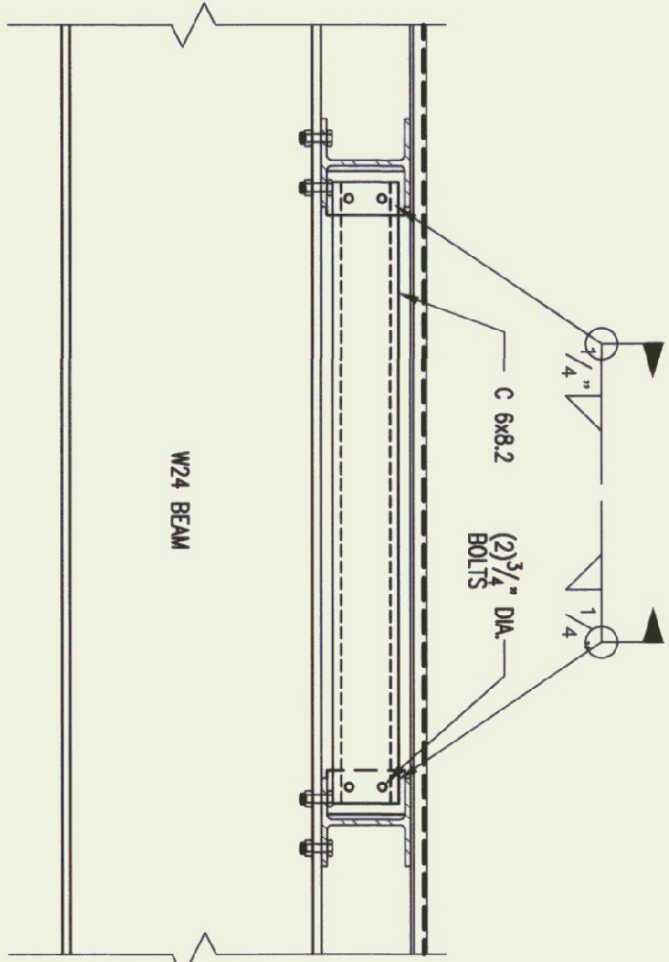


EAVE FRAMING DETAIL AT CMU WALL
2
3/4" = 1'-0"

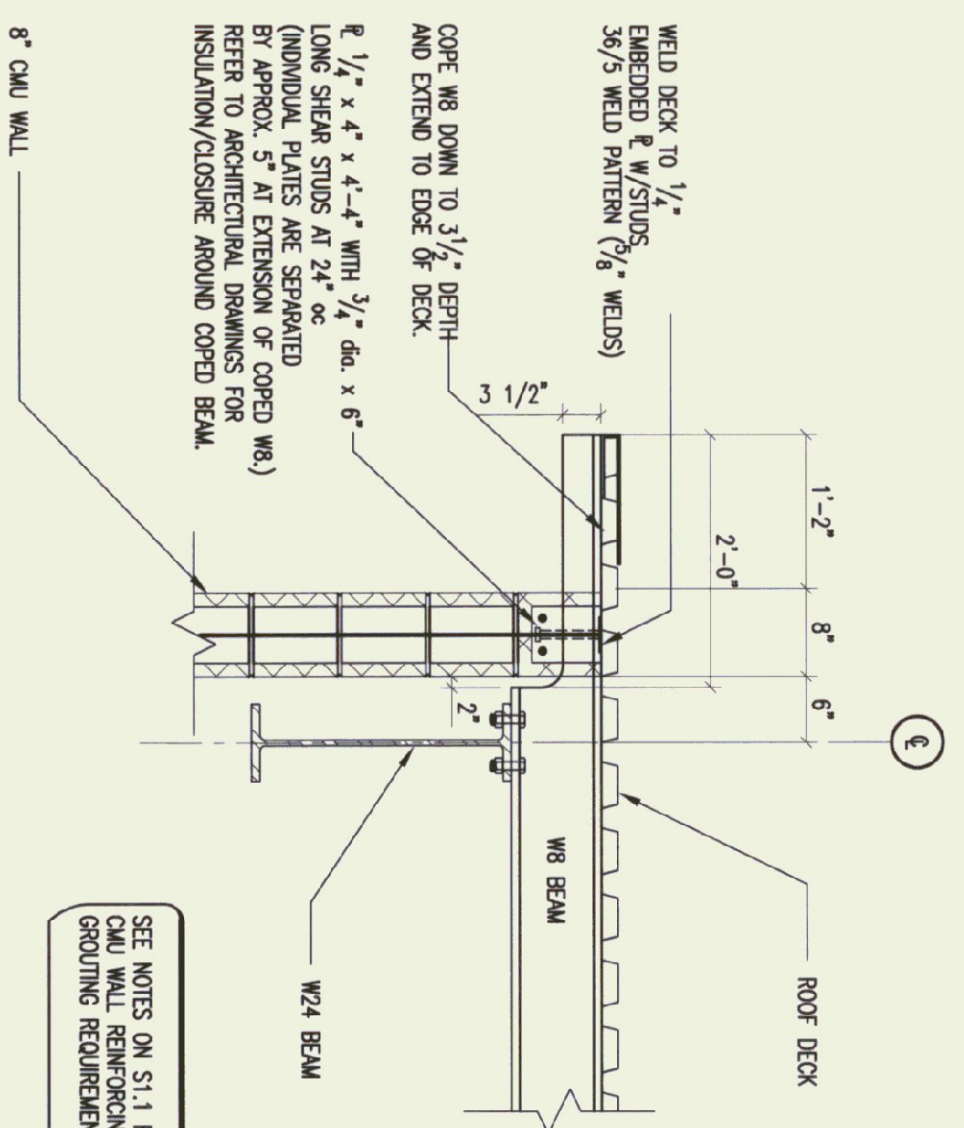
SEE NOTES ON S1.1 FOR CMU WALL REINFORCING AND BRIDGING.



FRAMING DETAIL
5
3/4" = 1'-0"

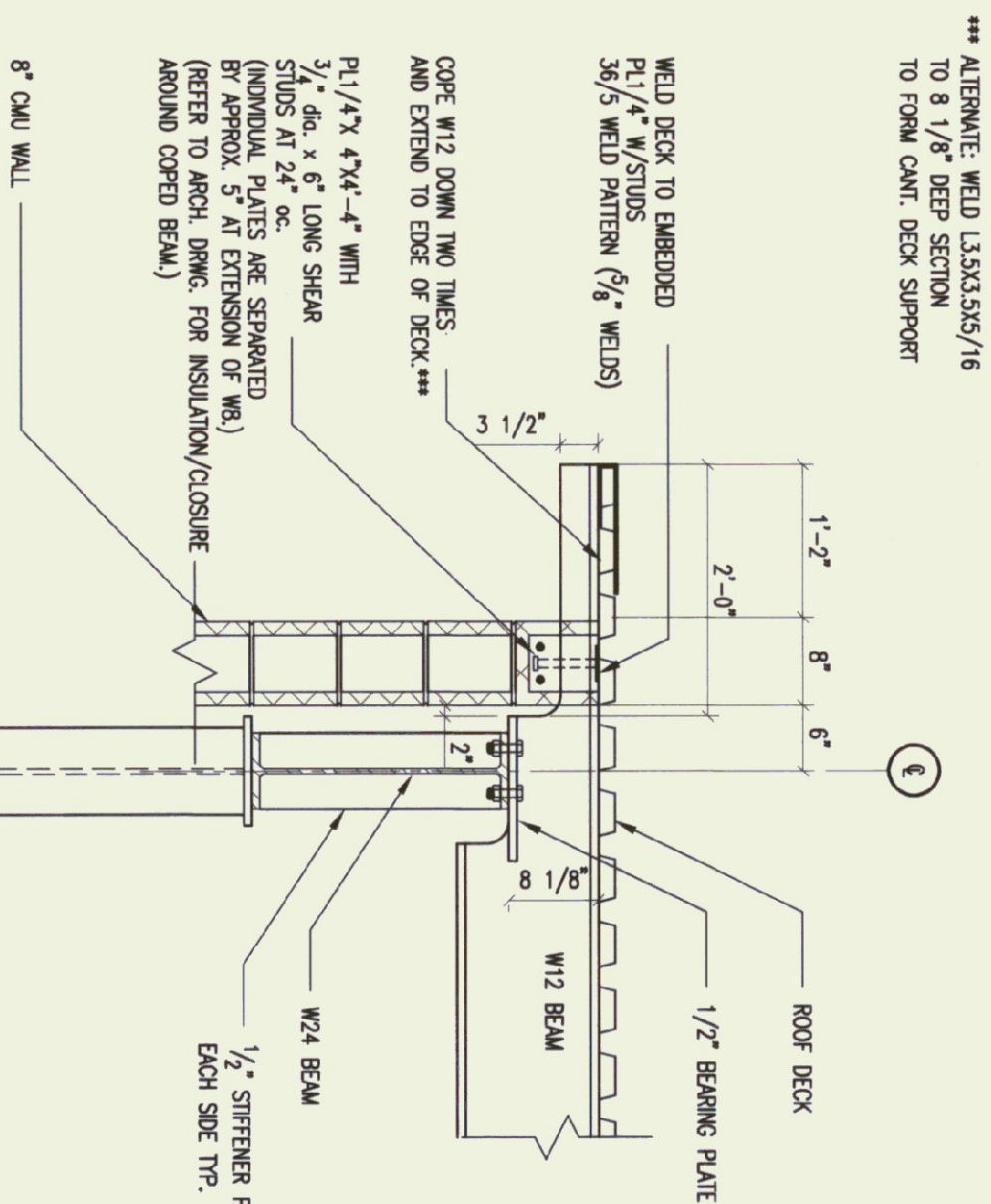


FRAMING DETAIL
6
3/4" = 1'-0"



GABLE END FRAMING DETAIL
3
3/4" = 1'-0"

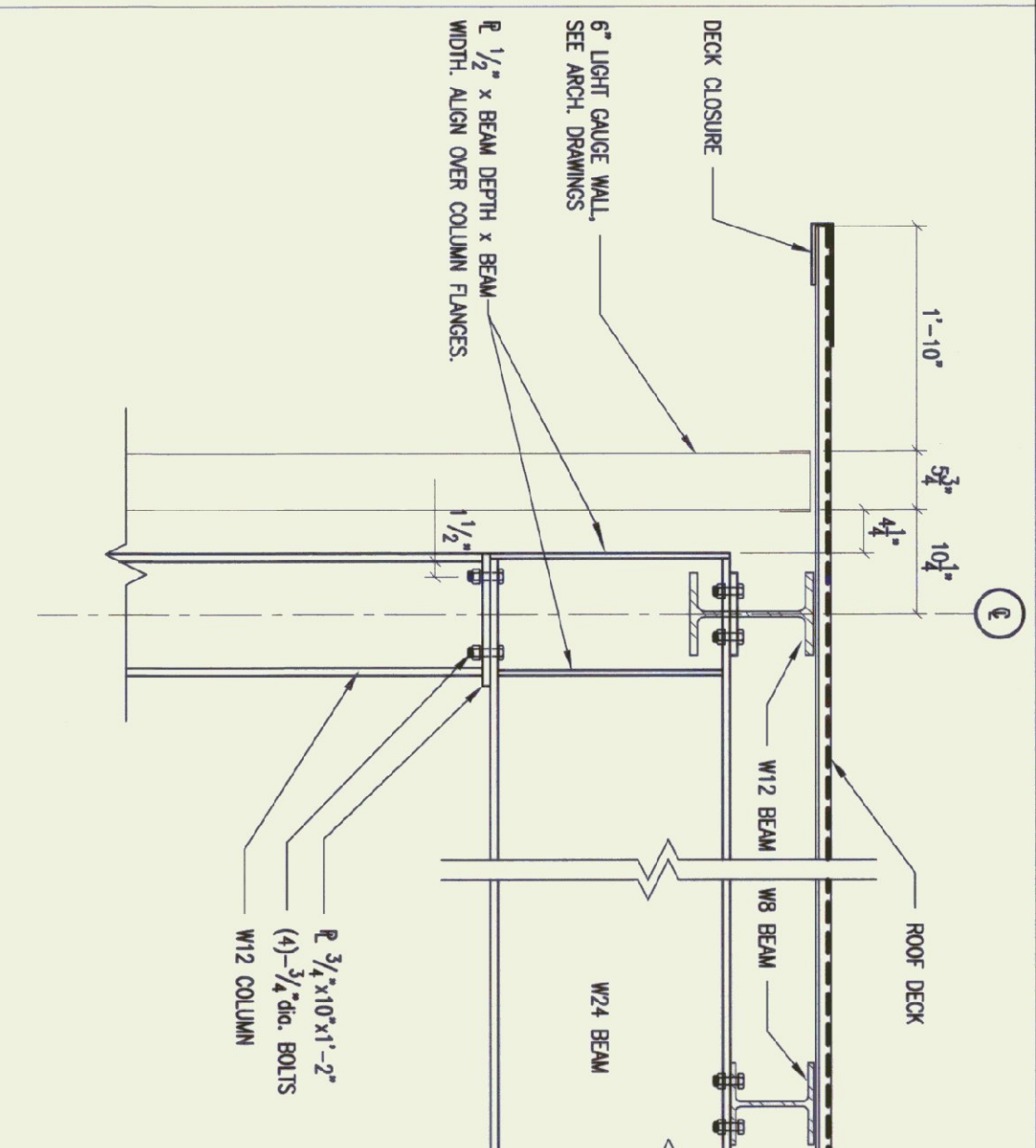
SEE NOTES ON S1.1 FOR CMU WALL REINFORCING AND BRIDGING REQUIREMENTS.



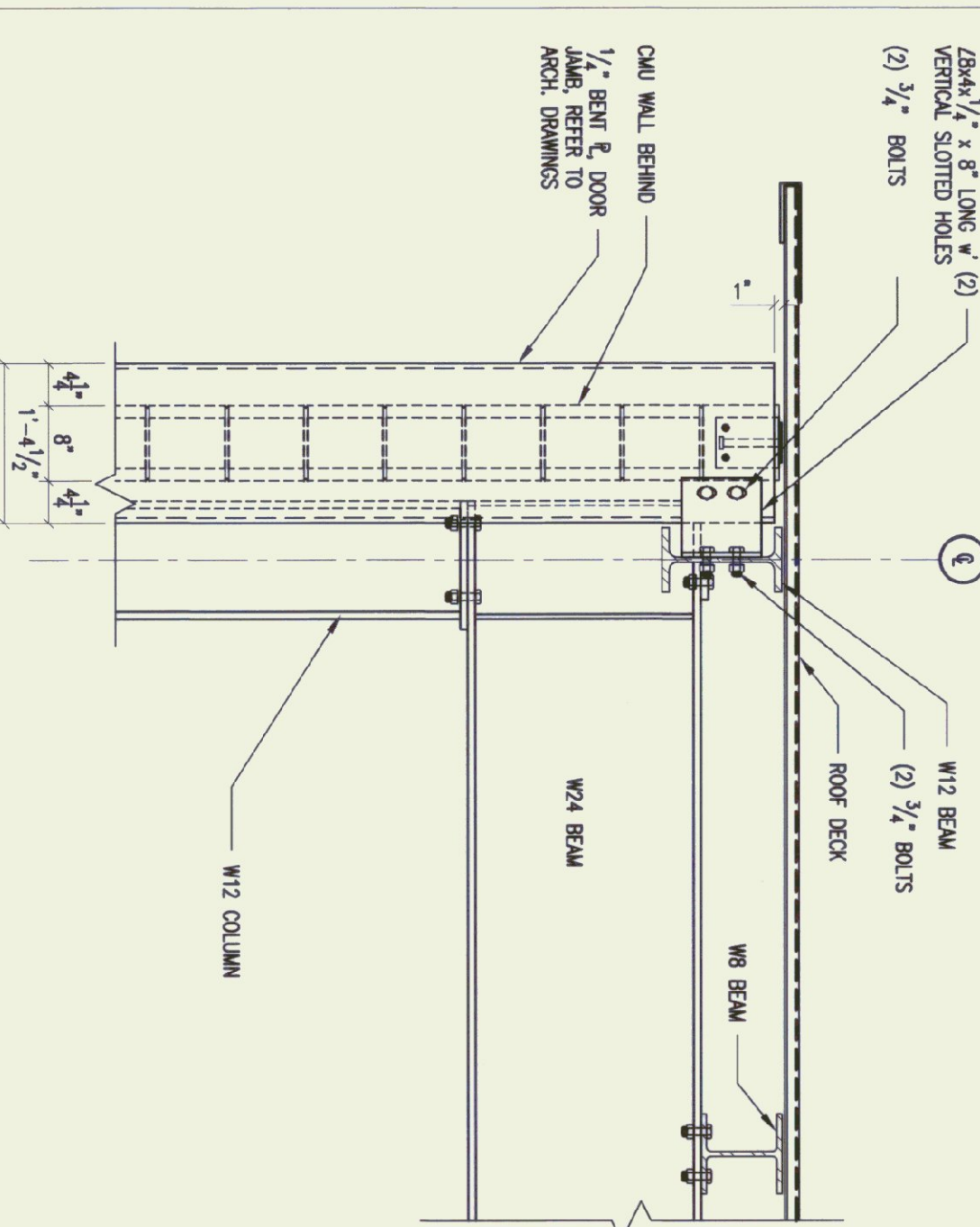
DECK SUPPORT - CORNER COLUMNS
7
3/4" = 1'-0"

*** ALTERNATE: WELD U.S.S.33X33X5/16 TO 8 1/8" DEEP SECTION TO FORM CONT. DECK SUPPORT

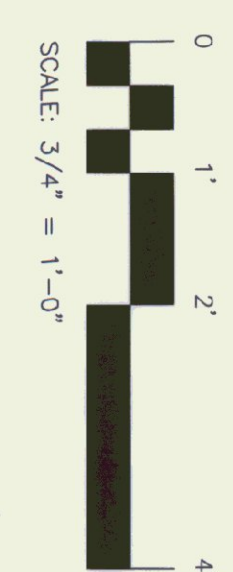
WELD DECK TO EMBEDDED P1.1/4" W STUDS 3/6" WELD PATTERN (9/8" WELDS) AND EXTEND TO EDGE OF DECK ***
COPE W12 DOWN TWO TIMES AND EXTEND TO EDGE OF DECK ***
P1.1/4" x 4" x 4" WITH 3/4" dia. x 6" LONG SHEAR STUDS AT 2' oc. (INDIVIDUAL PLATES ARE SEPARATED BY APPROX. 5" AT EXTENSION OF W12) REFER TO ARCHITECTURAL DRAWINGS FOR INSULATION/CLOSURE AROUND COPED BEAM



EAVE FRAMING DETAIL AT OVERHEAD DOORS
4
3/4" = 1'-0"



OVERHEAD DOOR JAMB DETAIL
8
3/4" = 1'-0"



ENGINEERING VENTURES INC
208 Flynn Avenue, Suite 2A
Burlington, VT 05403
Tel: 802.869.0222
Fax: 802.869.0330
EngineeringVentures.com

D&W
DORE AND WHITTIER, INC.
Architects • Project Managers
1795 WILLISTON RD, STE 5
S. BURLINGTON, VT 05403
Phone: (802) 863-1428
Fax: (802) 863-0955
1400 HANCOCK STREET
QUINCY, MA 02169
Phone: (617) 471-2897
Fax: (617) 471-2516

STATE OF VERMONT
DEPARTMENT OF BUILDINGS
AND GENERAL SERVICES
AGENCY OF ADMINISTRATION
MONTPELIER, VERMONT

AGENCY OF TRANSPORTATION
HIGHGATE MAINTENANCE FACILITY
HIGHGATE VERMONT

REVISIONS

SCALE: AS NOTED
DATE: 9/24/01
DRAWN BY: WP/MJ
APPR. BY: WP/RW

HIGHGATE
MAINTENANCE
GARAGE
STRUCTURAL
DETAILS
S-3.1
14 OF 37