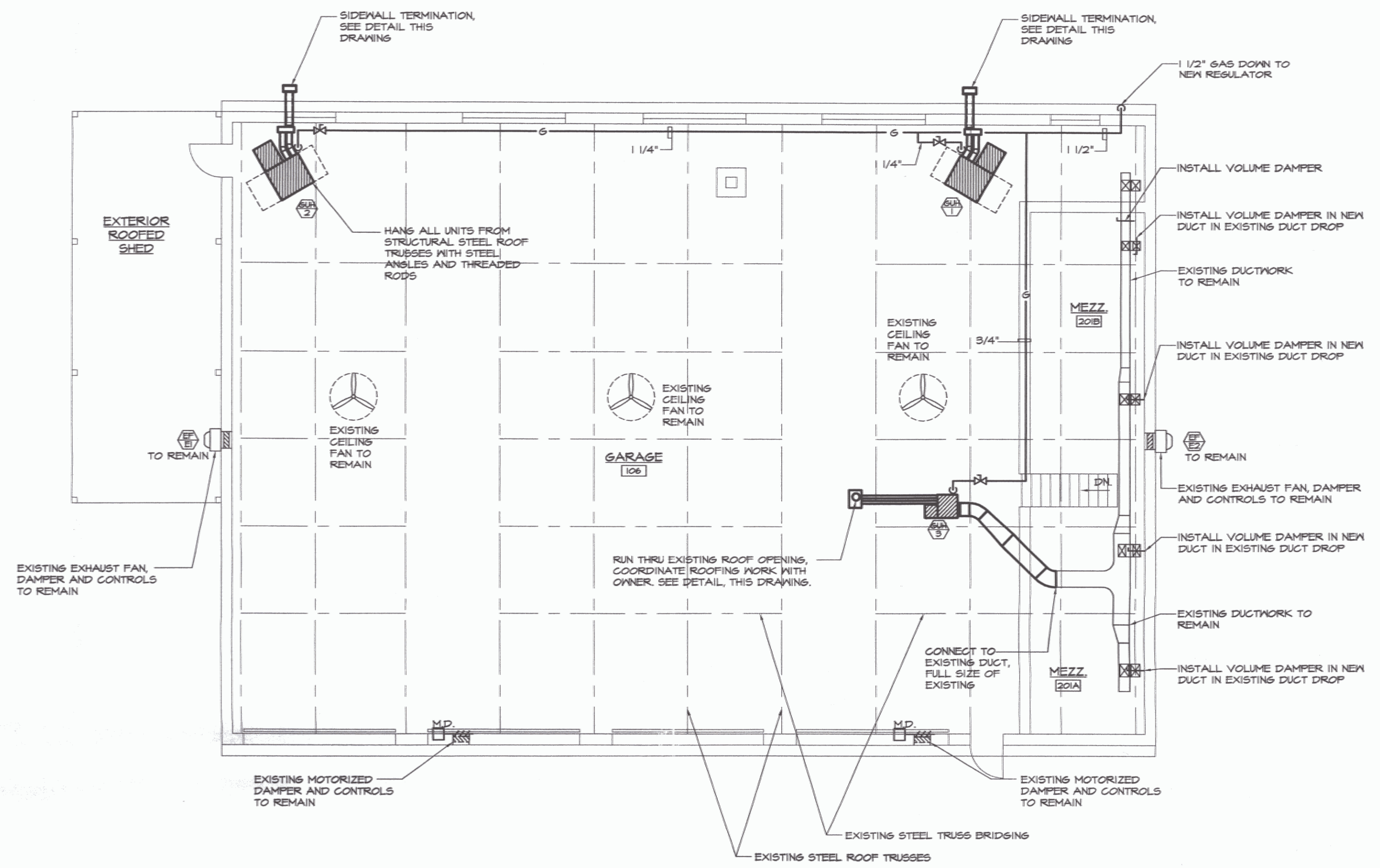
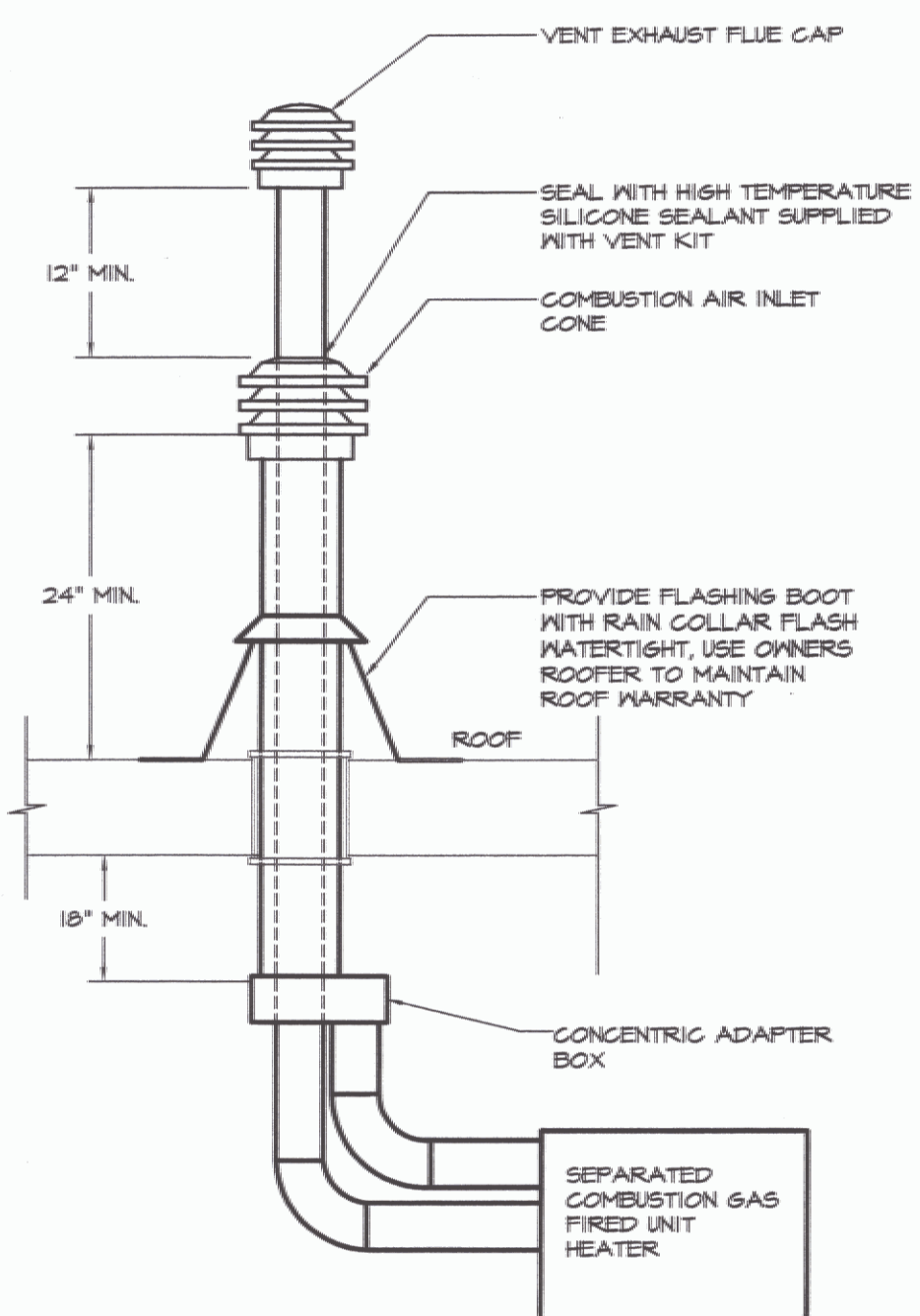


MAIN FLOOR PLAN - HEATING
SCALE: 1/8"=1'-0"

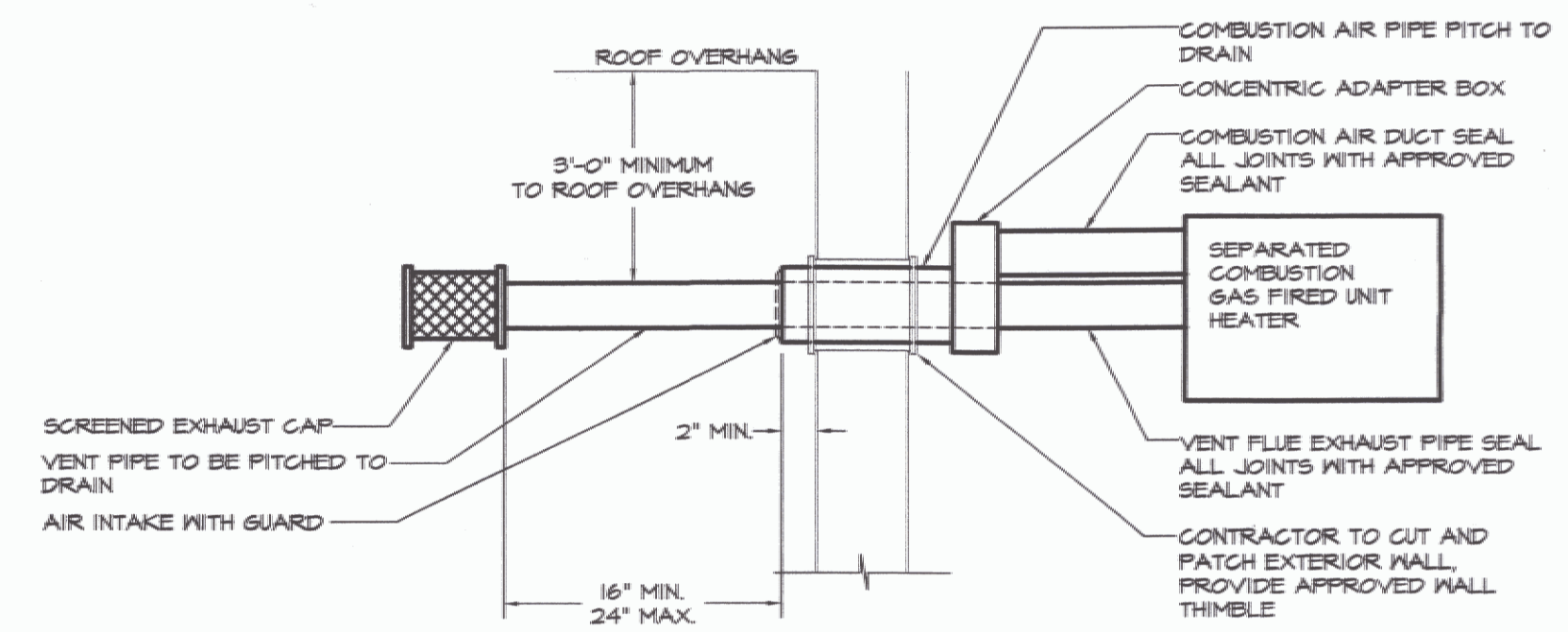


MEZZANINE FLOOR PLAN - HEATING
SCALE: 1/8"=1'-0"



VERTICAL SEPARATED COMBUSTION / VENT DETAIL
NOT TO SCALE

NOTE:
SIZE VENT PIPE AND COMBUSTION AIR PIPE PER MANUFACTURER'S RECOMMENDATIONS. SUBMIT FOR REVIEW AND APPROVAL. INSTALL ALL COMPONENTS PER MANUFACTURER'S LATEST PUBLISHED INSTALLATION MANUAL AND IN ACCORDANCE WITH ALL STATE CODES.



SIDEWALL SEPARATED COMBUSTION / VENT DETAIL
NOT TO SCALE

NOTE:
SIZE VENT PIPE AND COMBUSTION AIR PIPE PER MANUFACTURER'S RECOMMENDATIONS. SUBMIT FOR REVIEW AND APPROVAL. INSTALL ALL COMPONENTS PER MANUFACTURER'S LATEST PUBLISHED INSTALLATION MANUAL AND IN ACCORDANCE WITH ALL STATE CODES.



NO.	ISSUED FOR	DATE
2	REISSUED FOR BIDDING	09/2004
1	ISSUED FOR BIDDING	1/19/04



HEATING, VENTILATION, & AIR CONDITIONING,
PLUMBING, FIRE PROTECTION, & ELECTRICAL

CHARLES F. LANE, P.E.
DANIEL W. DUPRAS, P.E.

51 KILLINGTON AVENUE,
RUTLAND, VERMONT 05701
TELEPHONE: (802)747-3346
FAX/MODEM: (802)747-3356

MAIN FLOOR PLAN & MEZZ. FLOOR PLAN HEATING				M 2
HEATING SYSTEM REPLACEMENT NORTH HERO AOT GARAGE NORTH HERO, VERMONT				
APPR.	DVD	DRAWN:	KFC	SCALE: AS NOTED
PROJ. NO.			0312-03	

X:\031203-nhero\Drawings\Mech\031203M02.dwg, M2, 09/09/2004 11:20:37 AM, © LANE ASSOCIATES CONSULTING ENGINEERS PC, 2004