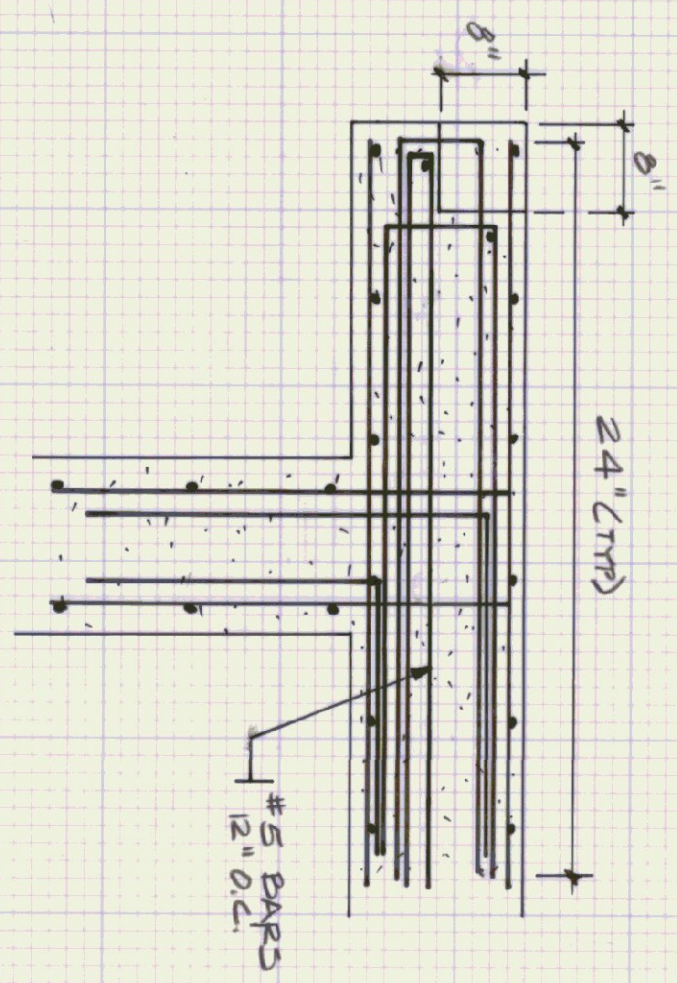
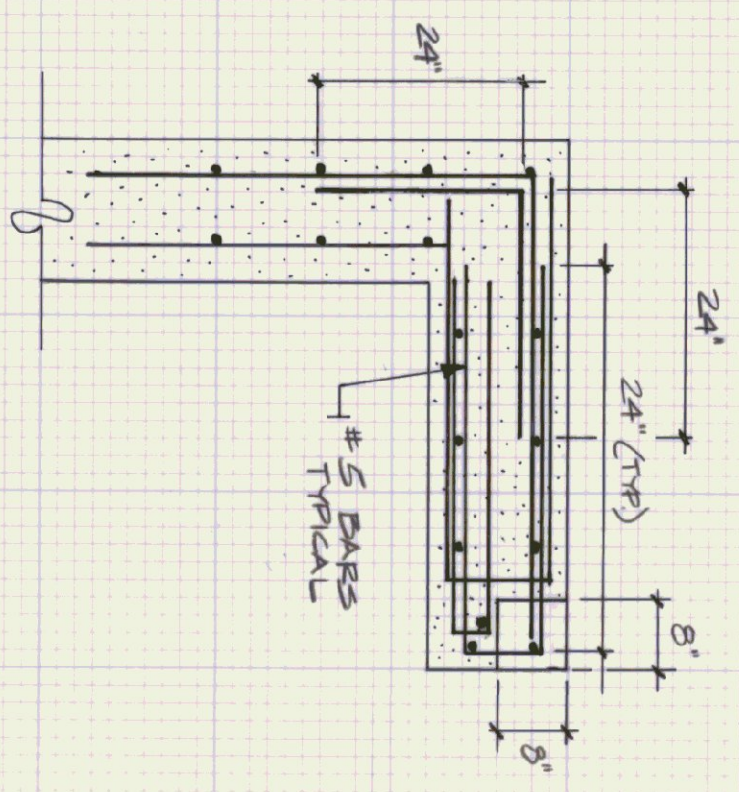


|   |                      |                               |          |
|---|----------------------|-------------------------------|----------|
| STATE OF VERMONT  |                      | DEPARTMENT OF STATE BUILDINGS |          |
| AGENCY OF ADMINISTRATION                                  |                      | MONTPELIER, VERMONT           |          |
| <b>SITE PLAN</b>  |                      |                               |          |
| AGENCY OF TRANSPORTATION<br>MAINTENANCE GARAGE<br>VERMONT |                      |                               |          |
| DATE:   | JUNE 1992            | SCALE:                        | 1" = 20' |
| DRAWN BY:   | S. K. JANAWICZ       | REVISIONS:                    |          |
| APPROVED BY:  | <i>J. Richardson</i> | DWG. NO.                      | 5-1      |
|   |                      |                               | 1 of 3   |

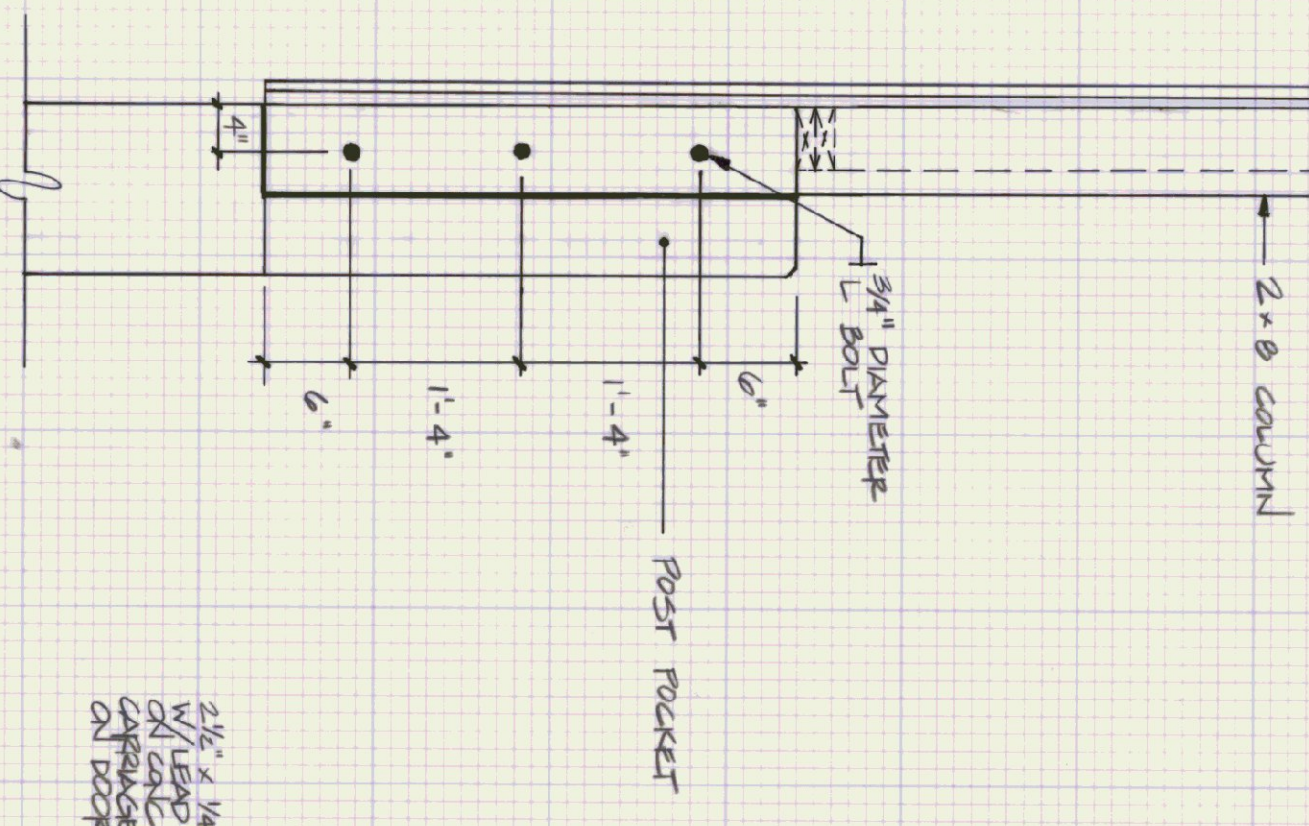




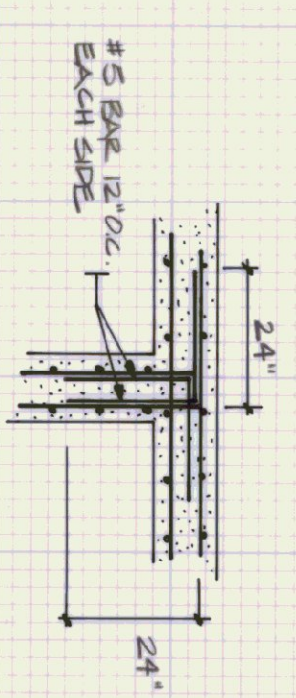
**CENTER WALL AT DOOR**  
N.T.S.



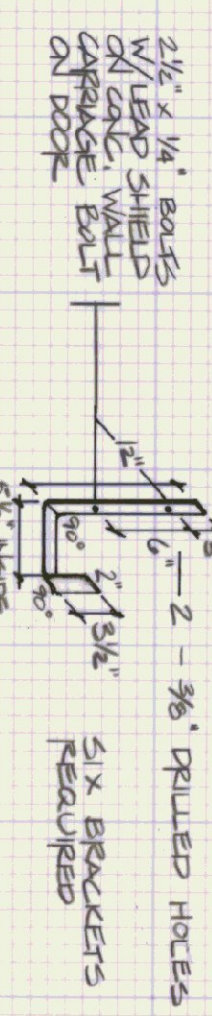
**CORNER AT DOOR**  
N.T.S.



**POST POCKET DETAIL**  
SCALE: 3/4" = 1'-0"

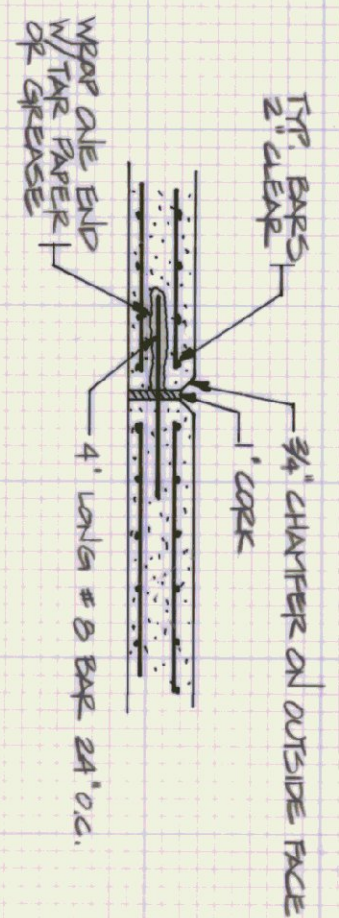


**CENTER WALL DETAIL**  
N.T.S.

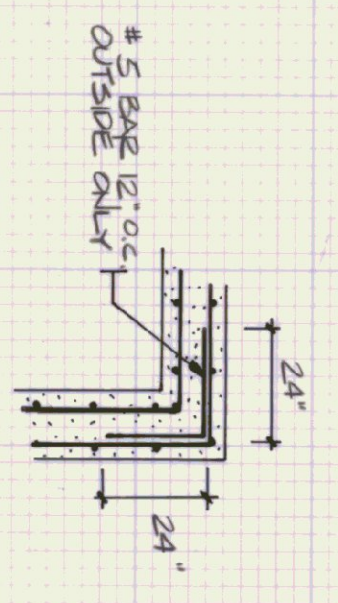


**CORNER GUARD**  
N.T.S.

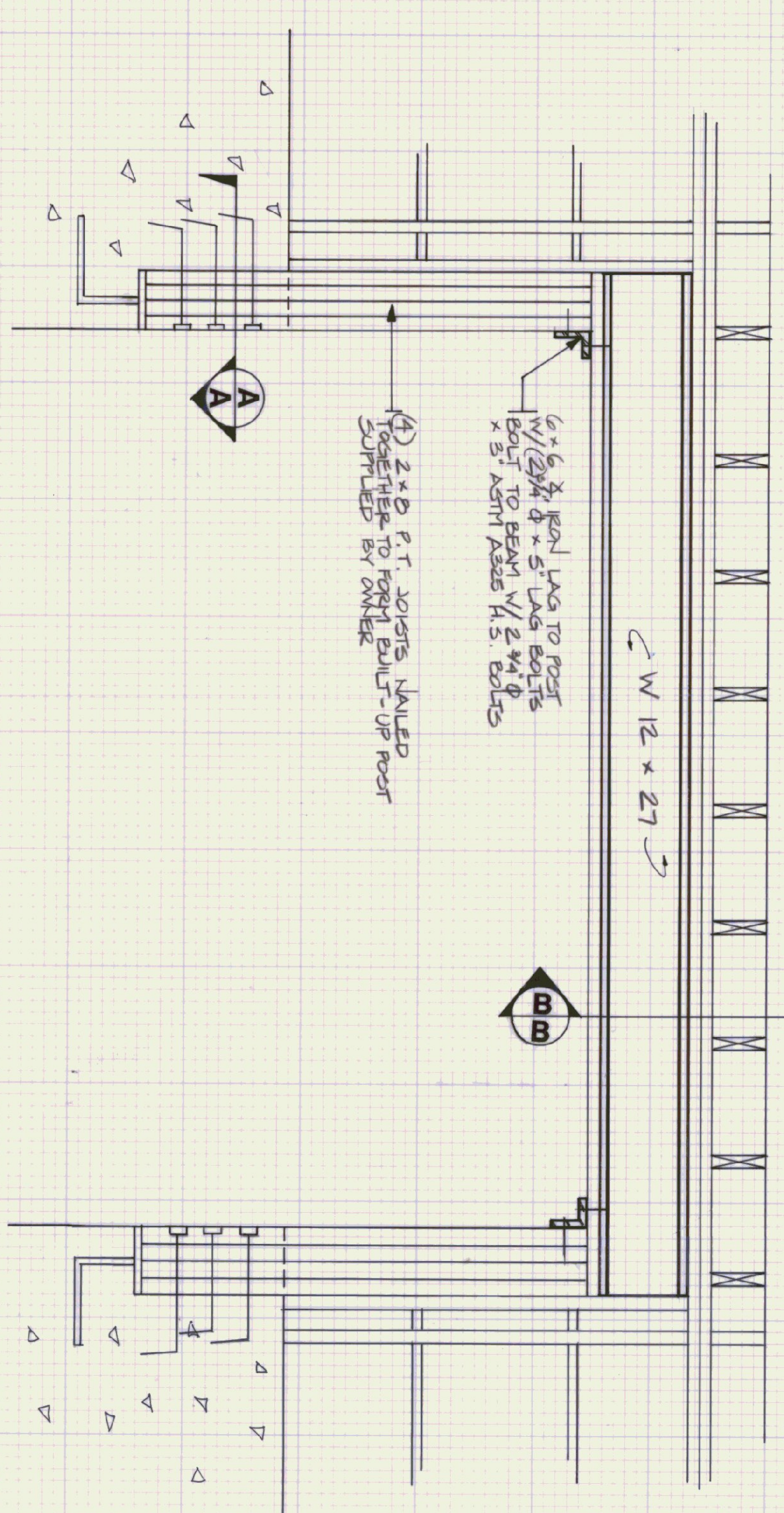
**DOOR BRACKET DETAIL**  
N.T.S.



**EXPANSION JOINT DETAIL**  
N.T.S.

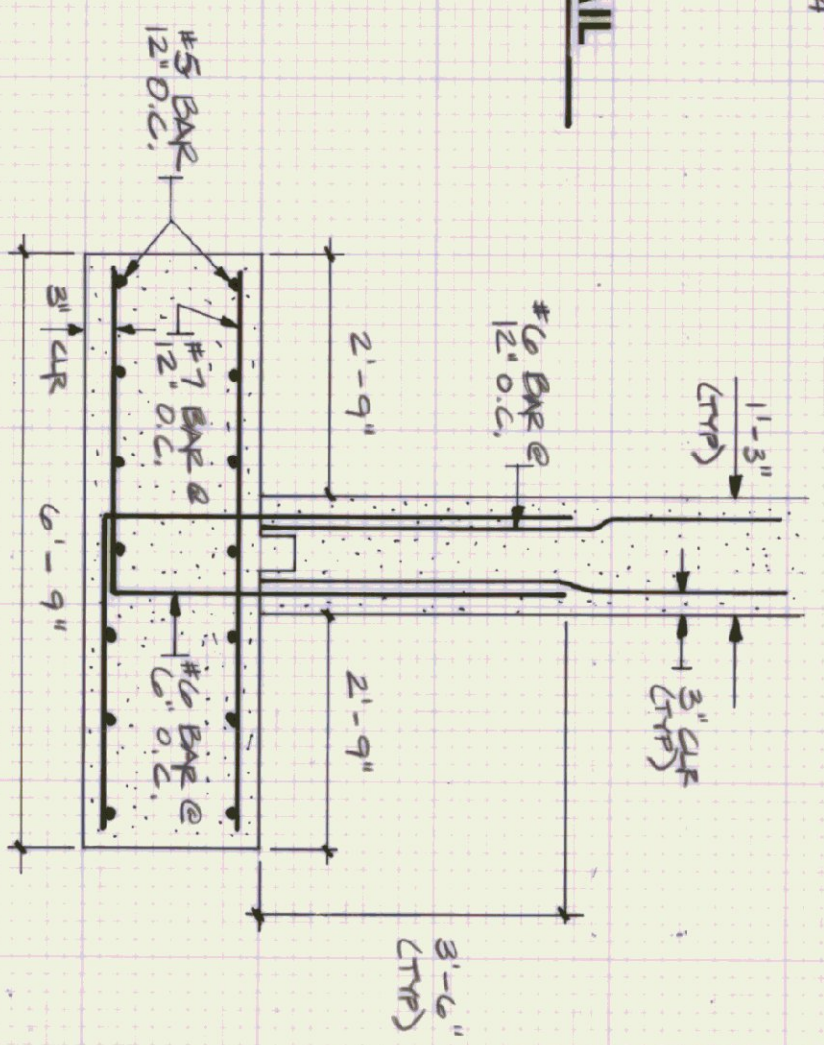


**CORNER DETAIL**  
N.T.S.

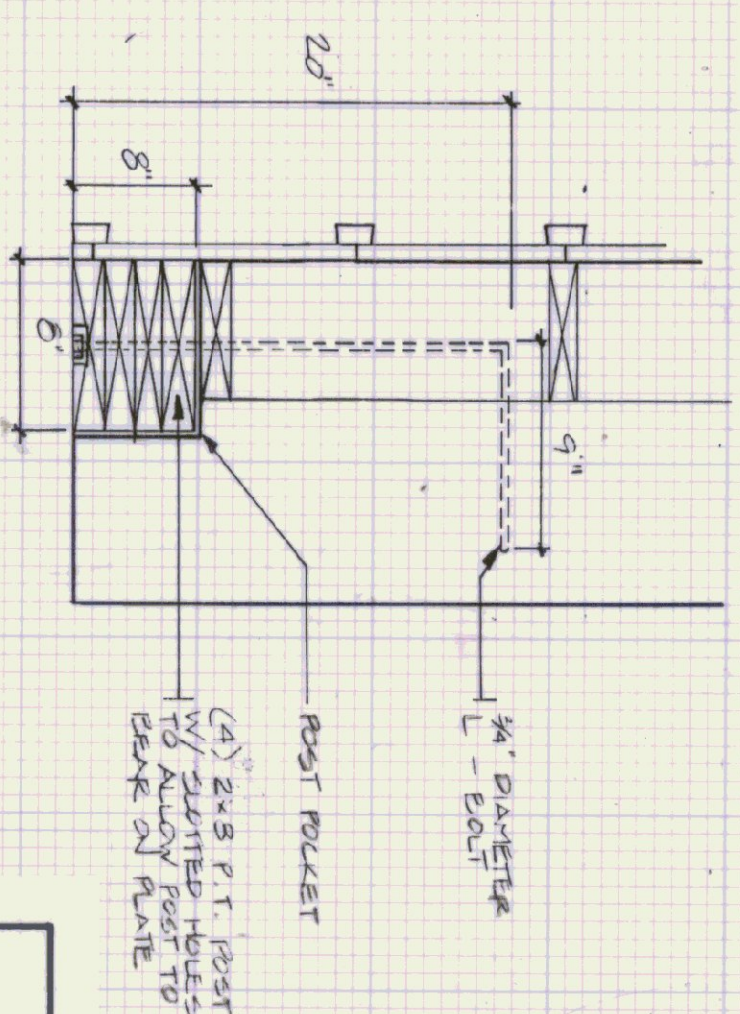


**WEST ELEVATION**  
SCALE: 1/8" = 1'-0"

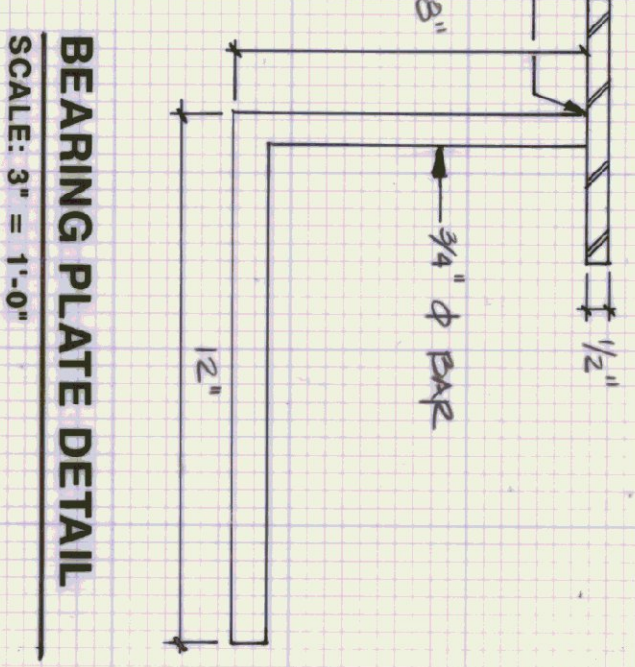
**SECTION THRU DOOR**  
SCALE: 3/4" = 1'-0"



**SECTION A - A**  
SCALE: 1 1/2" = 1'-0"



**SECTION B - B**  
SCALE: 3/4" = 1'-0"



**BEARING PLATE DETAIL**  
SCALE: 3" = 1'-0"

STATE OF VERMONT  
DEPARTMENT OF STATE BUILDINGS  
AGENCY OF ADMINISTRATION  
MONTPELIER, VERMONT

50' X 90'  
SALT/SAND SHED  
GEORGIA MAINTENANCE FACILITY

|           |               |           |          |
|-----------|---------------|-----------|----------|
| GEORGIA   | SCALE         | REVISIONS | VERMONT  |
| DATE      | AS NOTED      |           | DWG. NO. |
| AUG, 1992 |               |           | A-2      |
| DRAWN BY  | APPROVED BY   |           |          |
| B. MAVOY  | J. Richardson |           | 5 OF 3   |