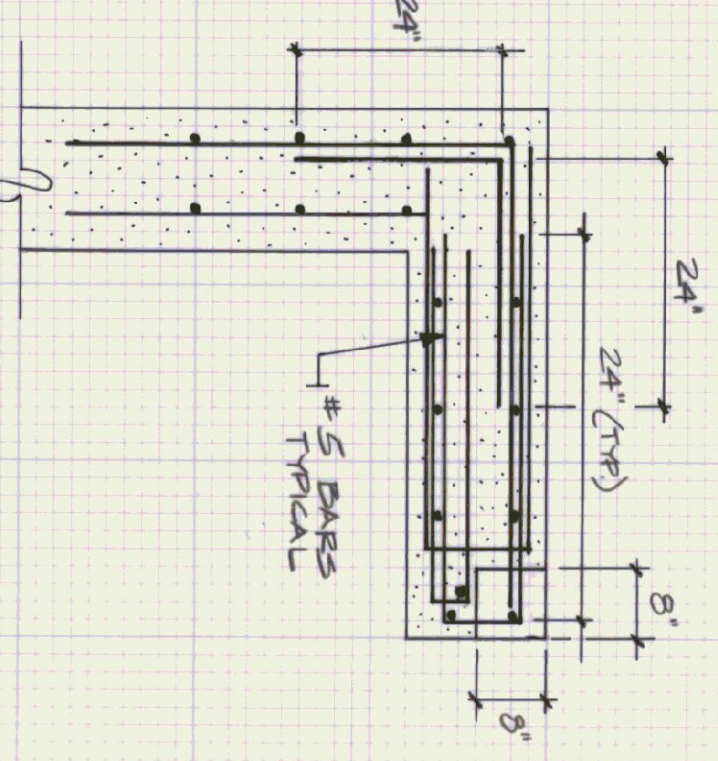
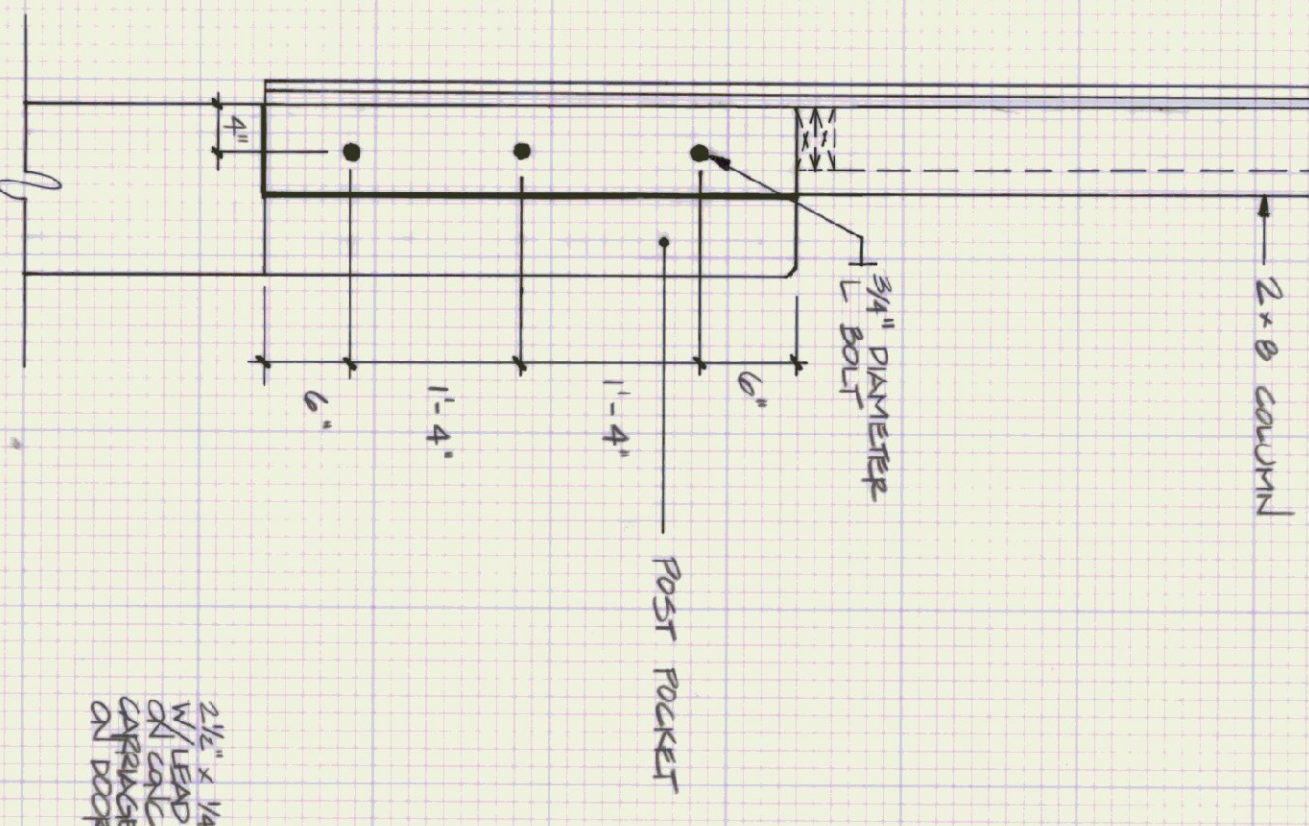


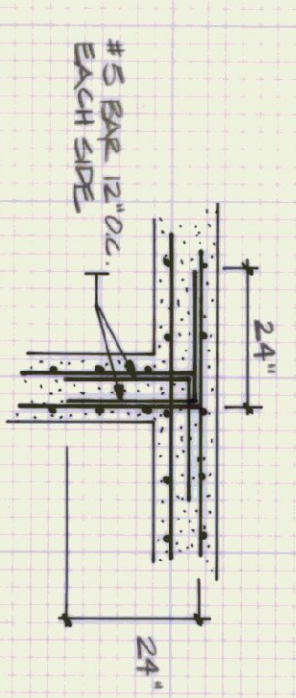
CENTER WALL AT DOOR
N.T.S.



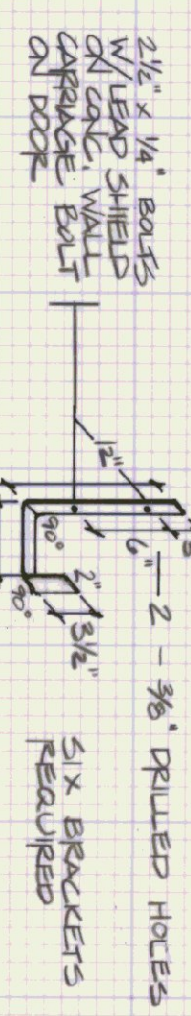
CORNER AT DOOR
N.T.S.



POST POCKET DETAIL
SCALE: 3/4" = 1'-0"

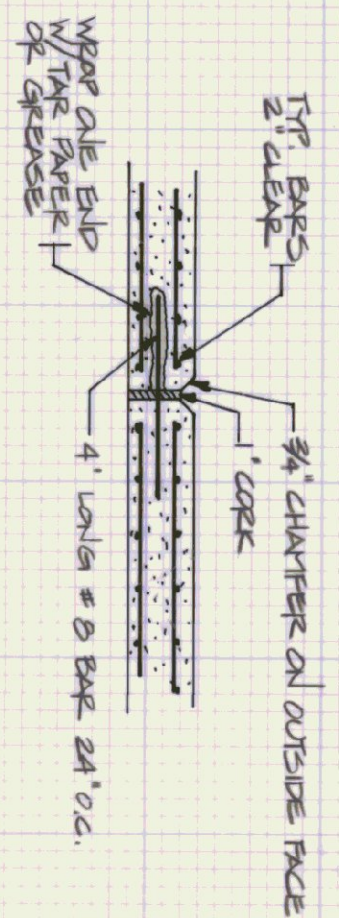


CENTER WALL DETAIL
N.T.S.

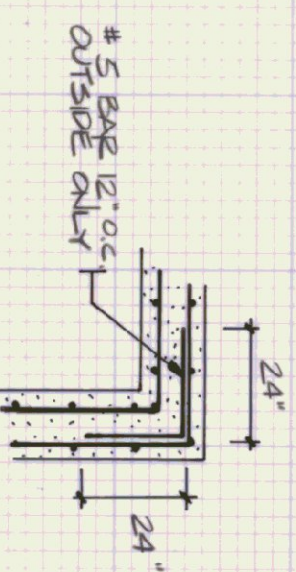


CORNER GUARD
N.T.S.

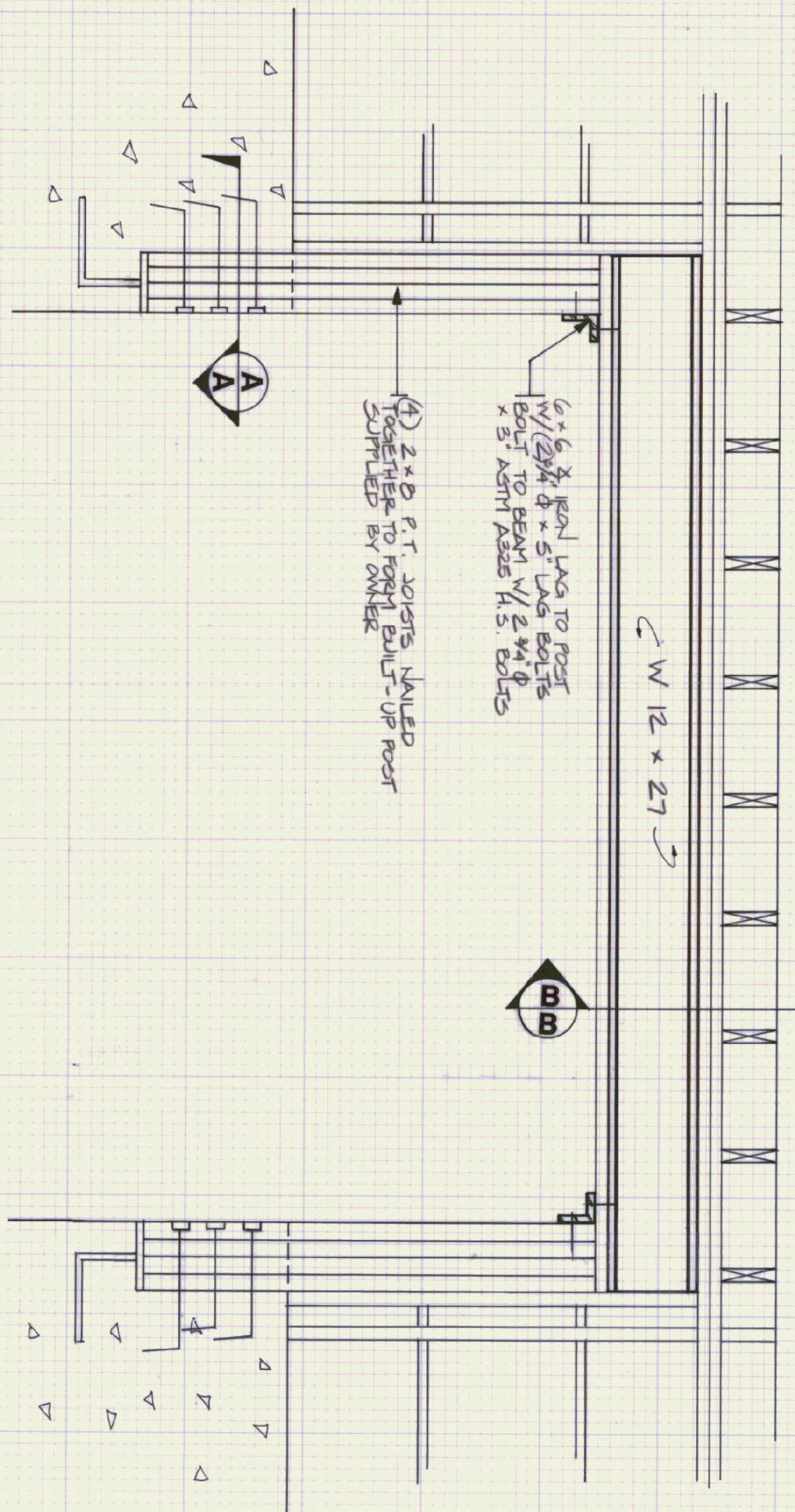
DOOR BRACKET DETAIL
N.T.S.



EXPANSION JOINT DETAIL
N.T.S.

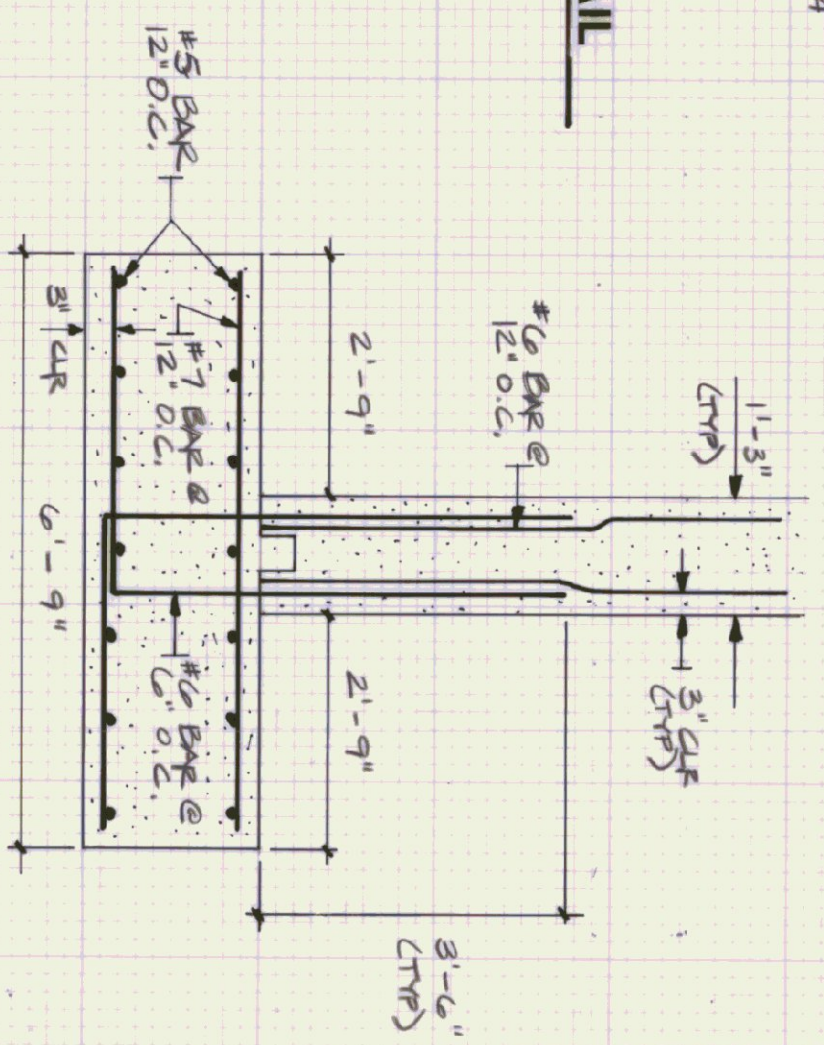


CORNER DETAIL
N.T.S.

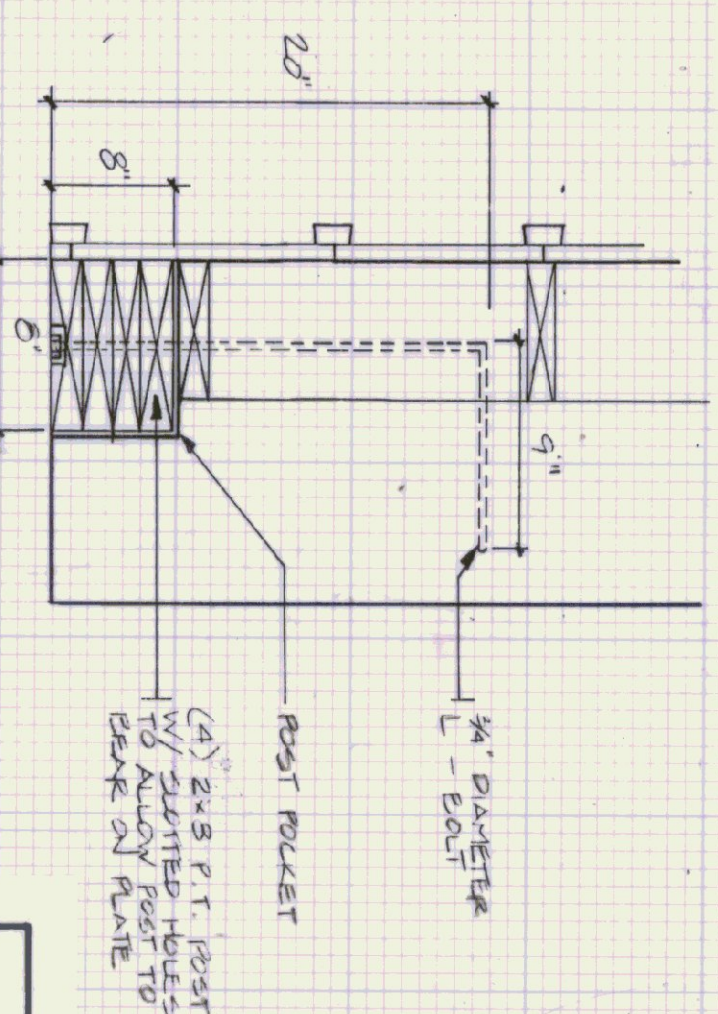


WEST ELEVATION
SCALE: 1/8" = 1'-0"

SECTION THRU DOOR
SCALE: 3/4" = 1'-0"

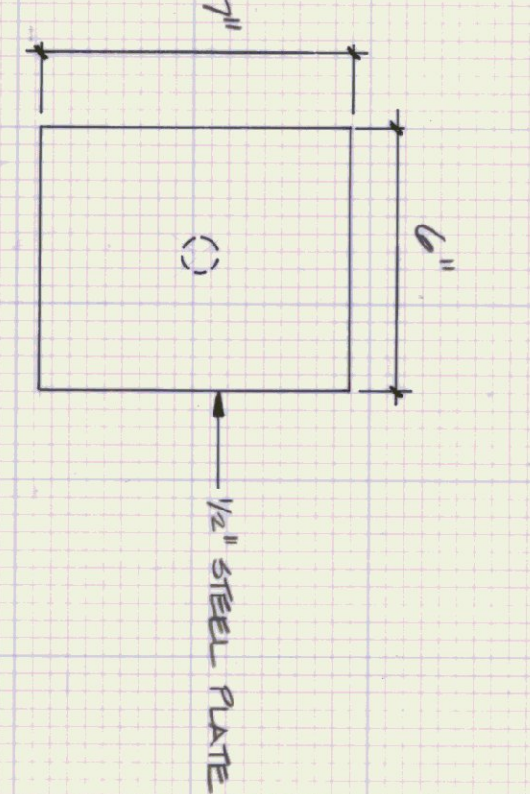


SECTION A - A
SCALE: 1 1/2" = 1'-0"



BEARING PLATE DETAIL
SCALE: 3" = 1'-0"

SECTION B - B
SCALE: 3/4" = 1'-0"



STATE OF VERMONT
DEPARTMENT OF STATE BUILDINGS
AGENCY OF ADMINISTRATION
MONTPELIER, VERMONT

50' X 90'
SALT/SAND SHED
GEORGIA MAINTENANCE FACILITY

GEORGIA	SCALE	REVISIONS	VERMONT
DATE	AS NOTED		DWG. NO.
AUG, 1992			A-2
DRAWN BY	APPROVED BY		
B. MAVOY	J. Richardson		5 OF 3