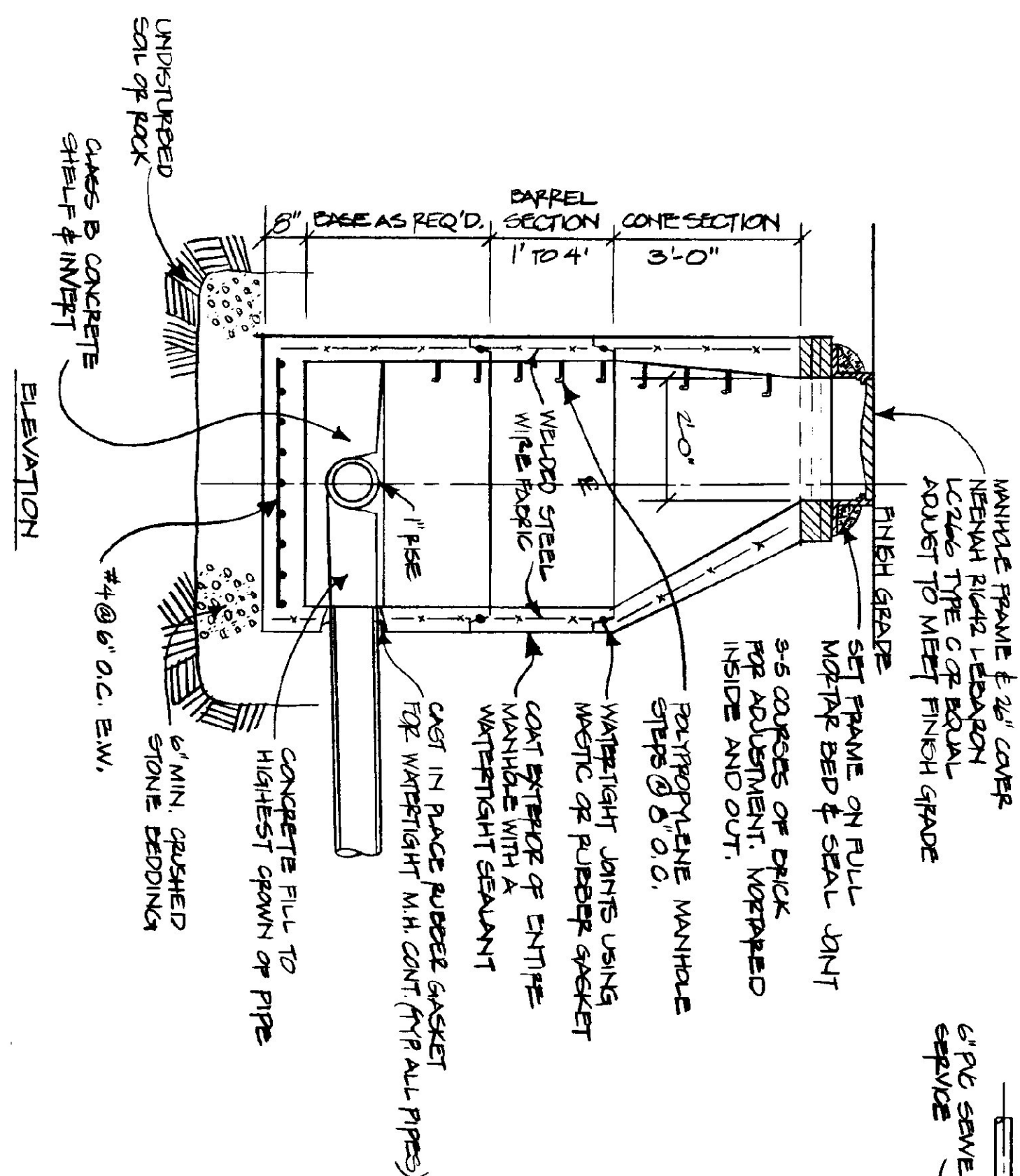
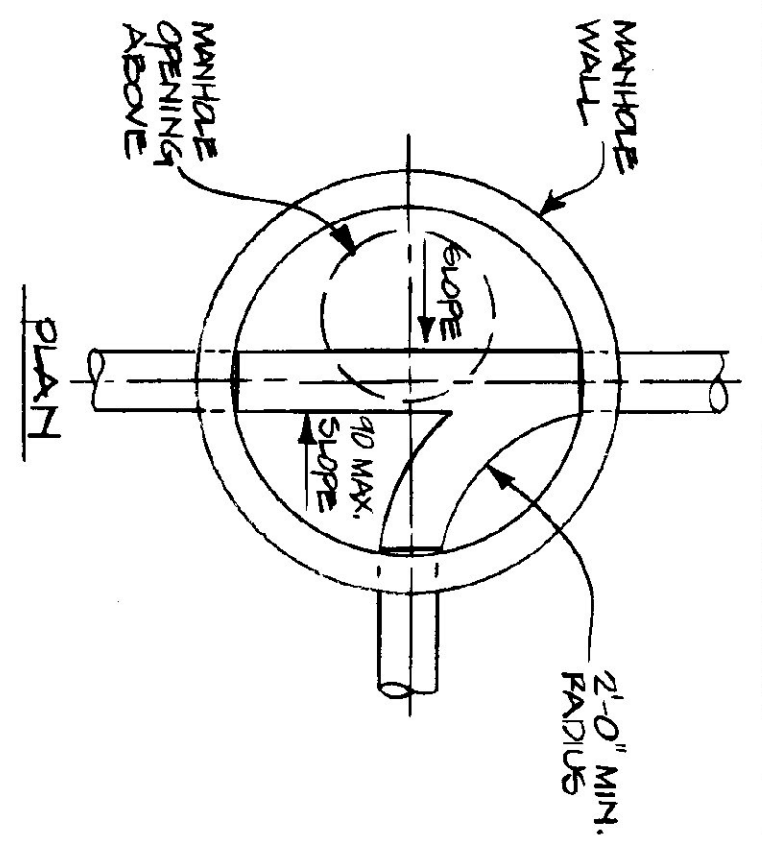
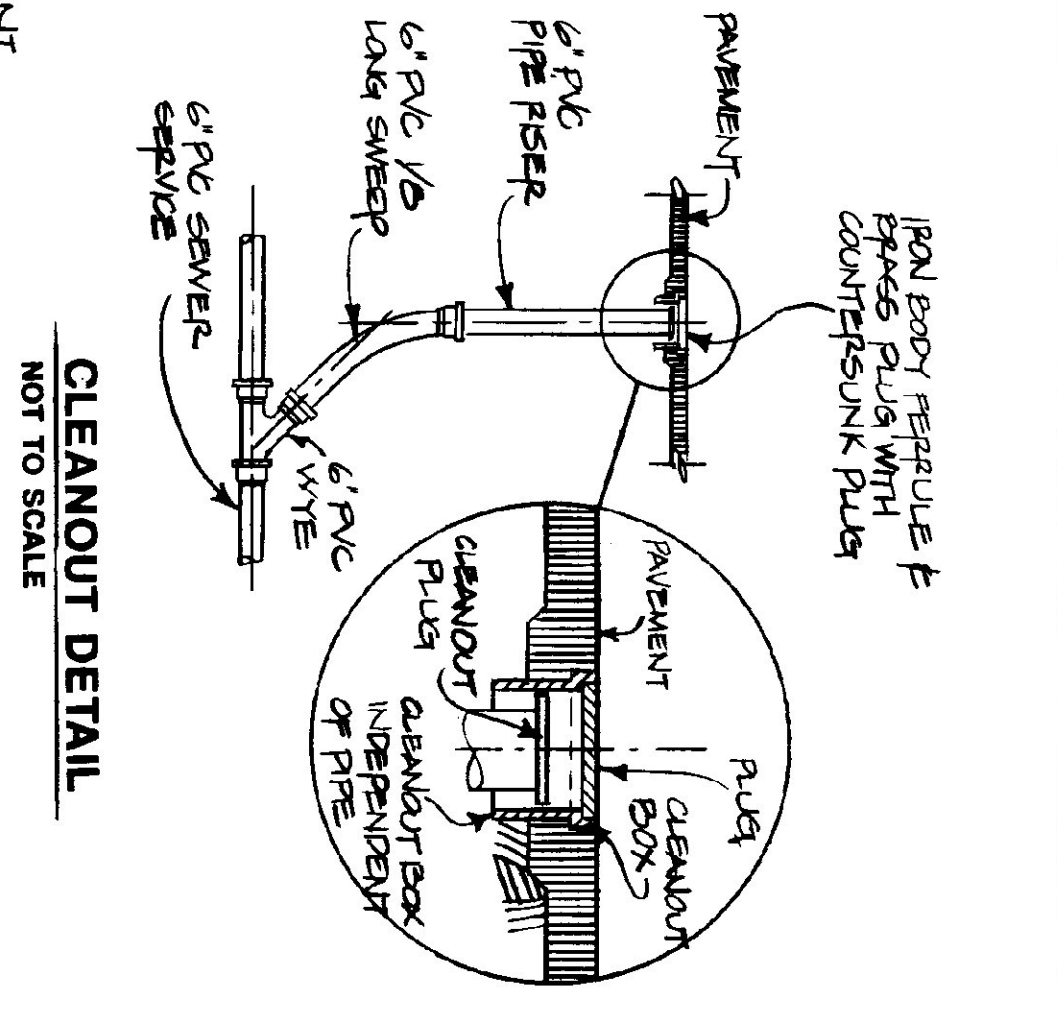


**TYPICAL THRUST BLOCK DETAIL**  
NOT TO SCALE

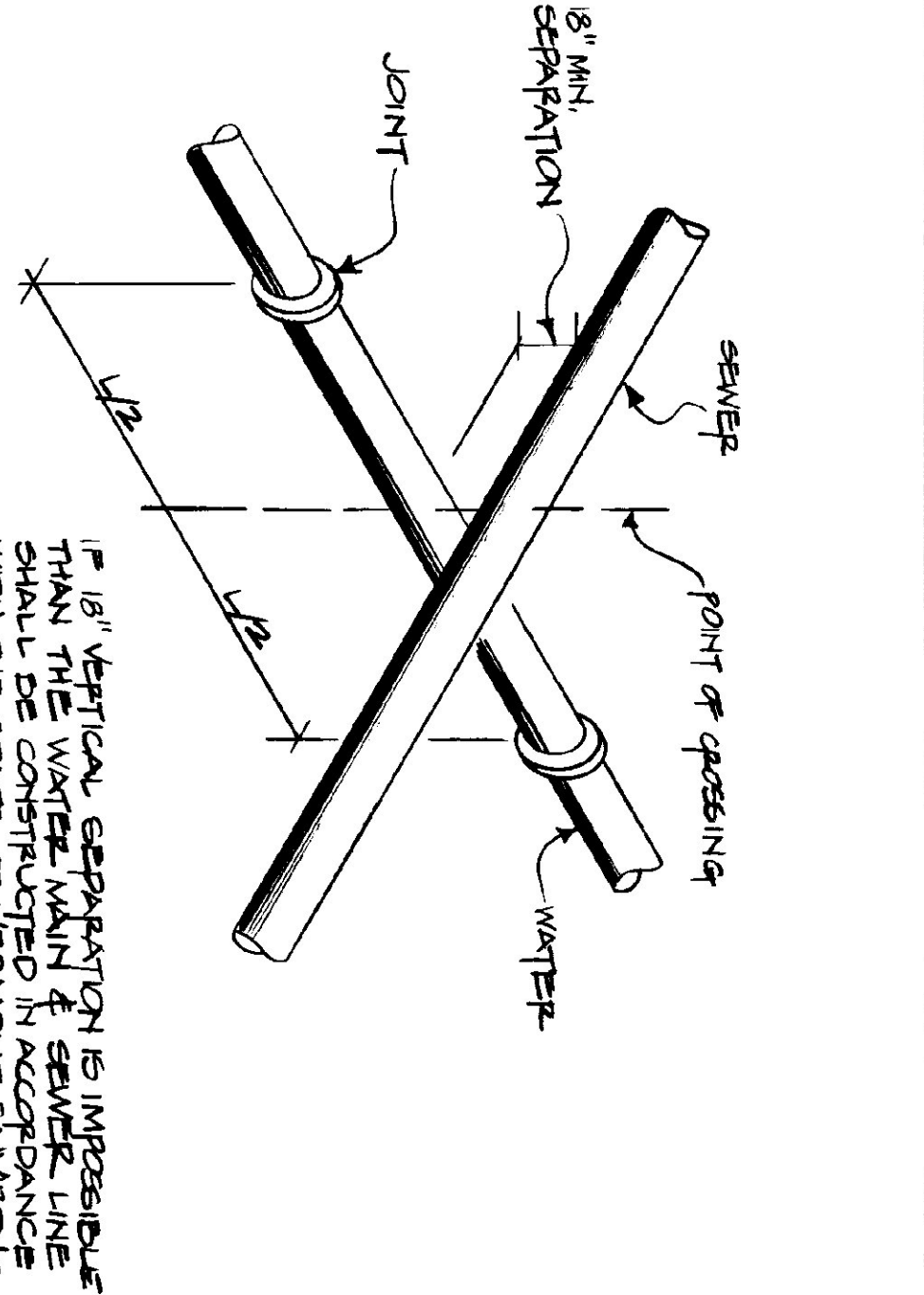
**TYPICAL HYDRANT**  
NOT TO SCALE



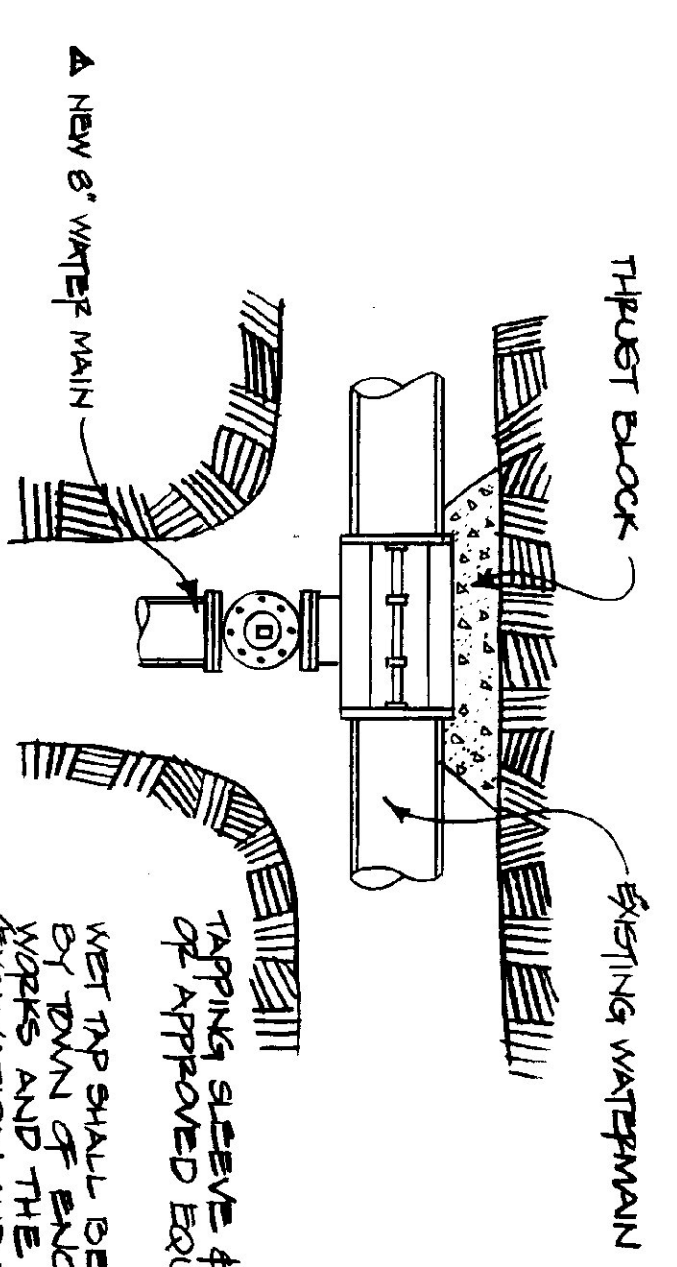
**TYPICAL SANITARY SEWER MANHOLE**  
NOT TO SCALE



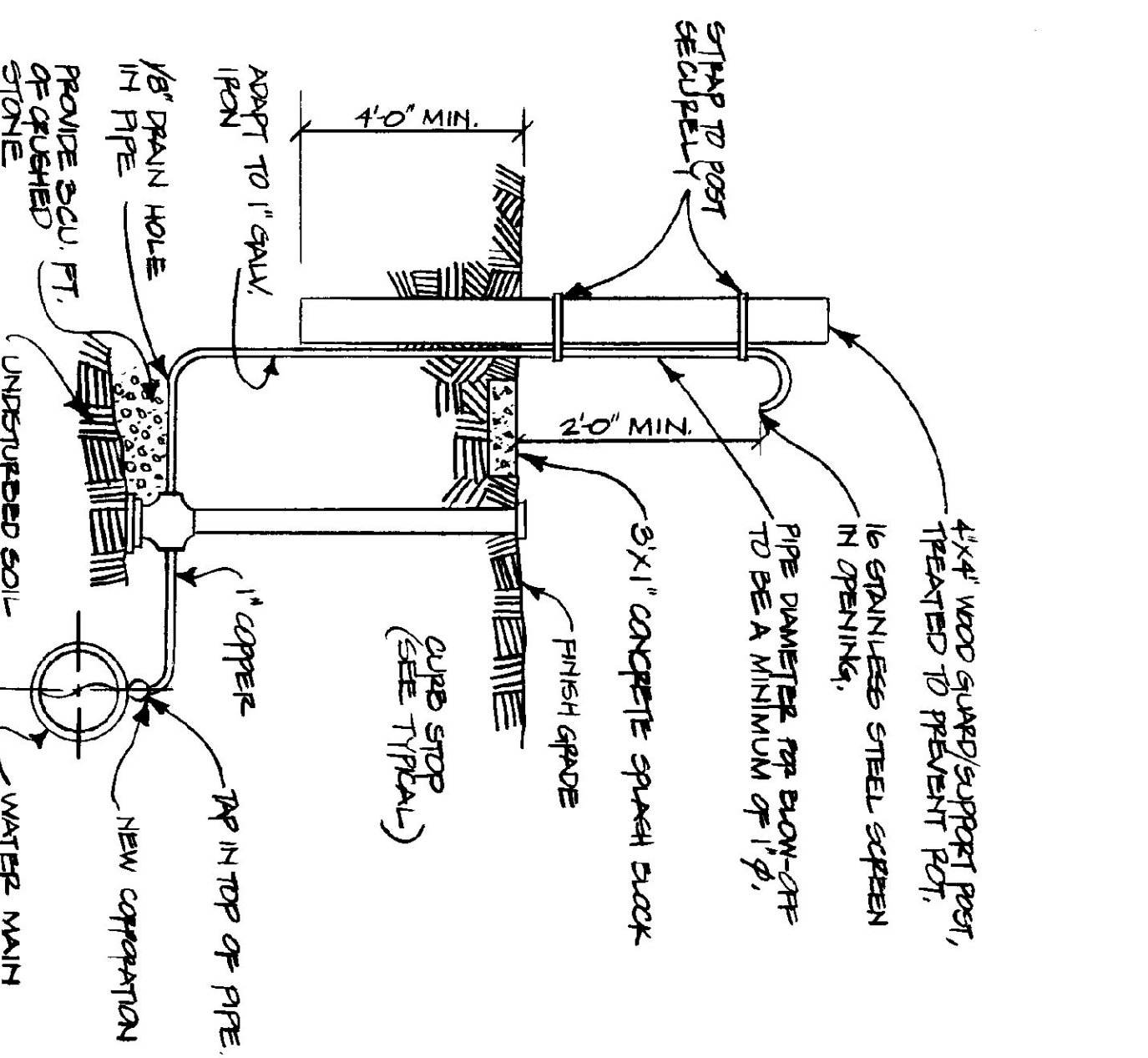
**CLEANOUT DETAIL**  
NOT TO SCALE



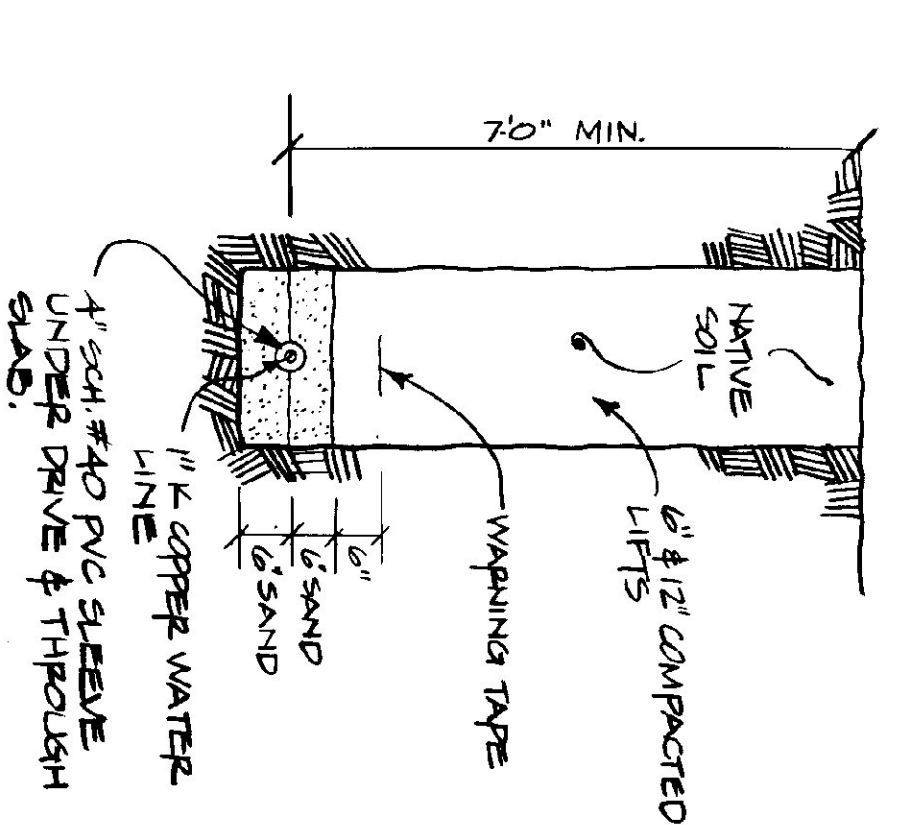
**WATER/SEWER CROSSING DETAIL**  
NOT TO SCALE



**TYPICAL TAPPING SLEEVE & VALVE (BY OTHERS)**  
NOT TO SCALE



**TYPICAL AIR RELEASE DETAIL**  
NOT TO SCALE



**WATER LINE TRENCH DETAIL**  
SCALE: 1/2" = 1'-0"

STATE OF VERMONT  
DEPARTMENT OF STATE BUILDINGS  
AGENCY OF ADMINISTRATION  
MONTPELIER, VERMONT

**TYPICAL WATER & SEWER DETAILS**  
VERMONT AGENCY OF TRANSPORTATION  
5 BAY MAINTENANCE GARAGE  
ENOSBURG FALLS, VERMONT

DATE	SCALE	REVISIONS	DWG. NO.
MAY 20, 1991	NOT TO SCALE	5/1/91	P-2
DRAWN BY: A. POULIN		APPROVED BY: [Signature]	18 OF 24