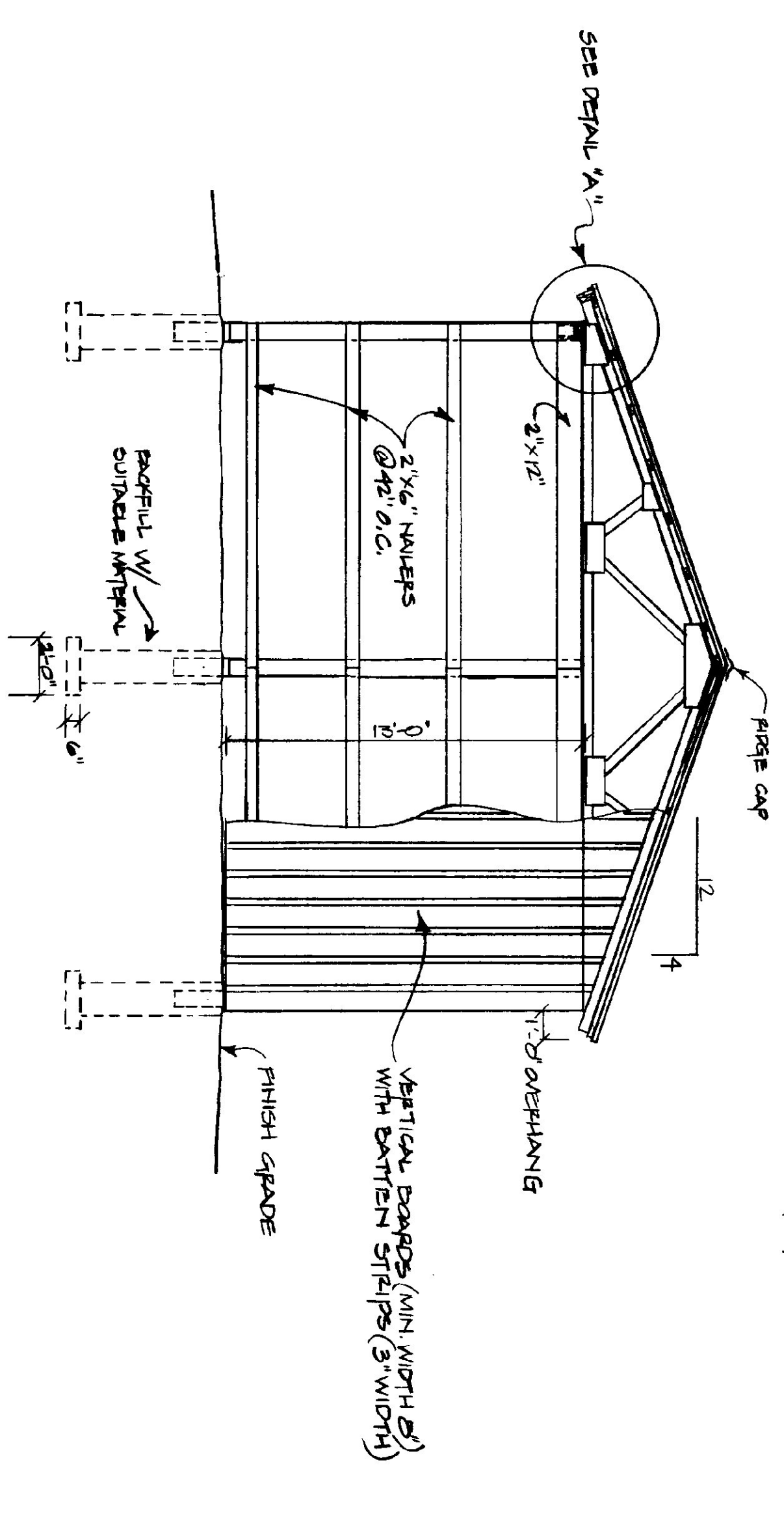
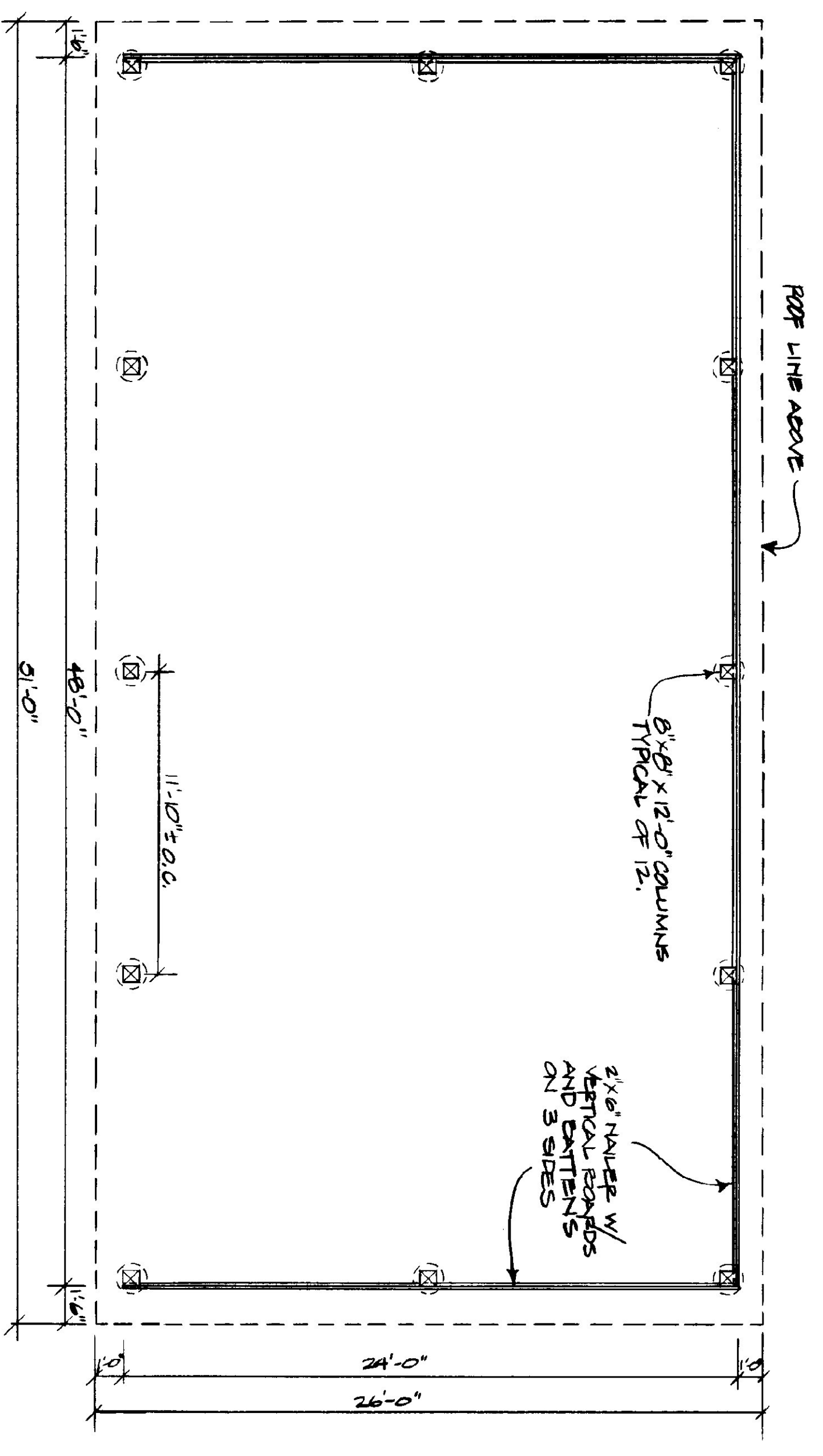


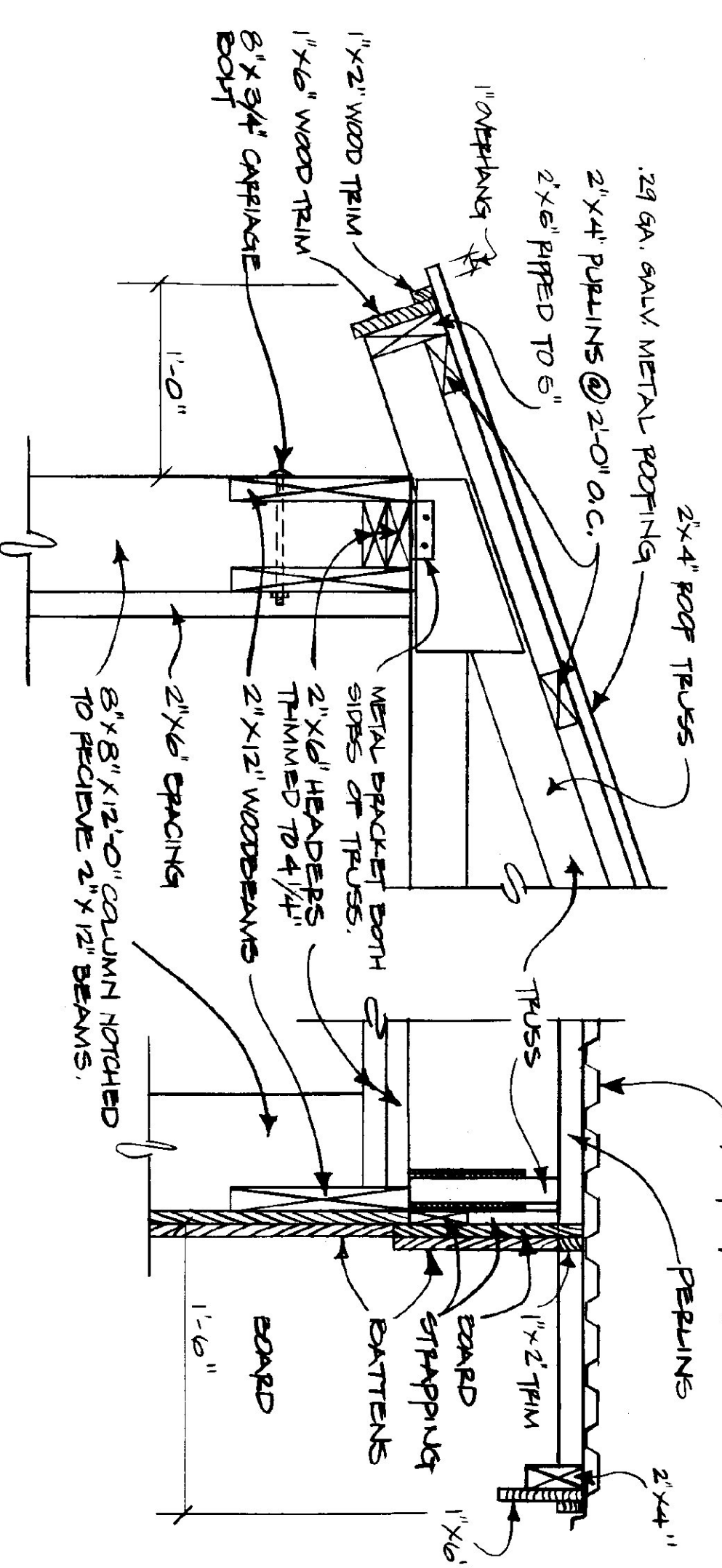
FRONT ELEVATION
SCALE: 1/4" = 1'-0"



END ELEVATION
SCALE: 1/4" = 1'-0"

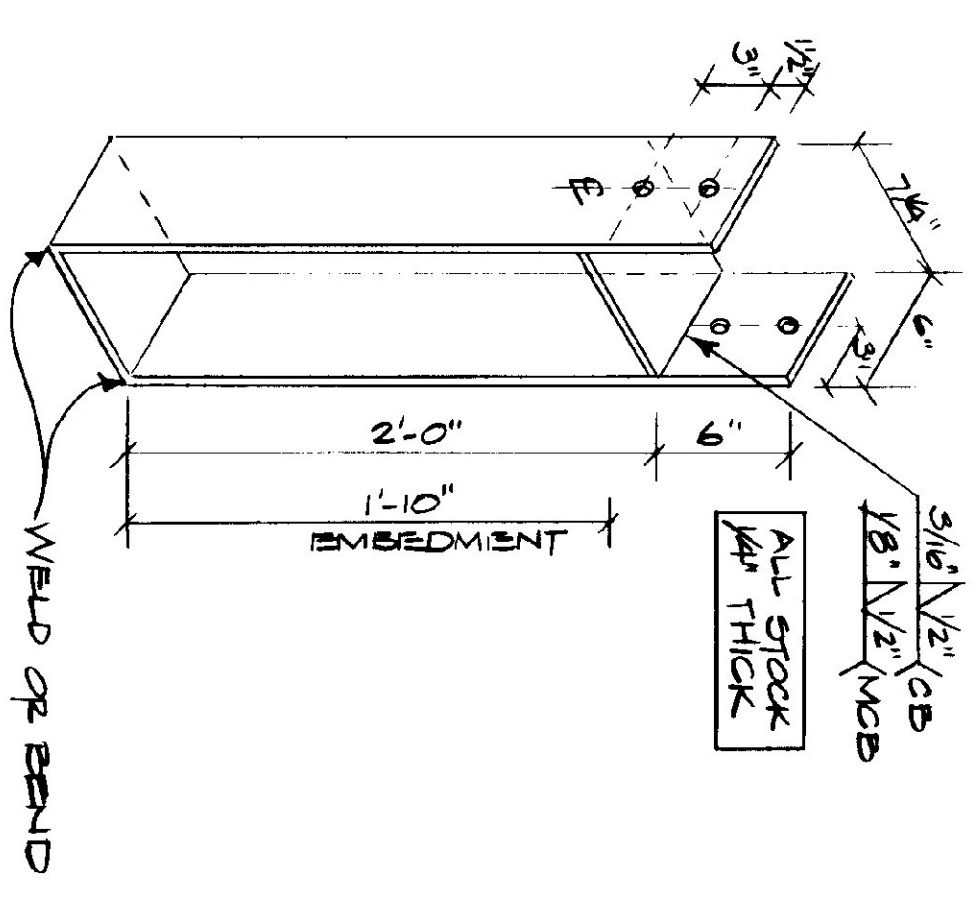


SHED PLAN
SCALE: 1/4" = 1'-0"



DETAIL "A"
SCALE: 1-1/2" = 1'-0"

RAKE DETAIL
SCALE: 1-1/2" = 1'-0"



COLUMN BASE ANCHOR
SCALE: 1-1/2" = 1'-0"

STATE OF VERMONT		DEPARTMENT OF STATE BUILDINGS	
MONTPELIER, VERMONT		AGENCY OF ADMINISTRATION	
VERMONT AGENCY OF TRANSPORTATION		VERMONT	
24' X 48' COLD STORAGE SHED		5 BAY MAINTENANCE GARAGE	
ENOSBURG FALLS, VERMONT		VERMONT	
DATE: AUG. 14, 1991	SCALE: AS NOTED	REVISIONS:	DWG. NO. A-8
DRAWN BY: A. POLIUN	APPROVED BY:		12 OF 24

SOLID. SNOW LOAD PER P91 BOCA CODE