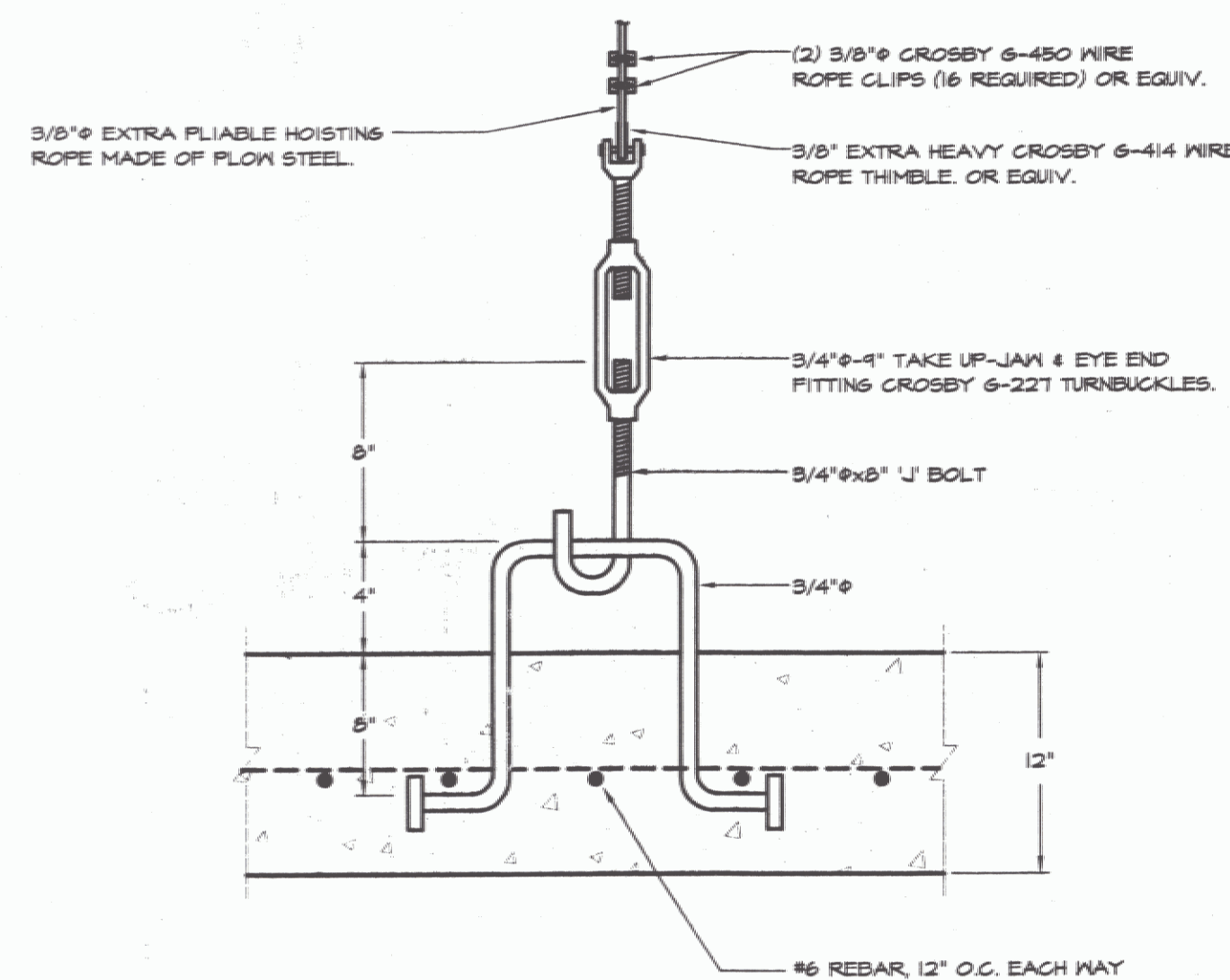


DIFFUSER-GRILLE-REGISTER-LOUVER SCHEDULE								L = LOUVER S = SUPPLY	PLAN SYMBOL
No.	MANUFACTURER	SERIES	MODEL	SIZE	AIR PAT	DAMPER	FINISH	REMARKS	
S-1	METAL-AIRE	V4000	V4004	10"x8"	-	-	-		
S-2	METAL-AIRE	V4000	V4004	8"x4"	-	-	-		
S-3	METAL-AIRE	V4000	V4004	12"x8"	-	-	-		
L-1	RUSKIN	ELF	ELFB15DX	48"C48"	-	-	B.E.	NOTE 1	

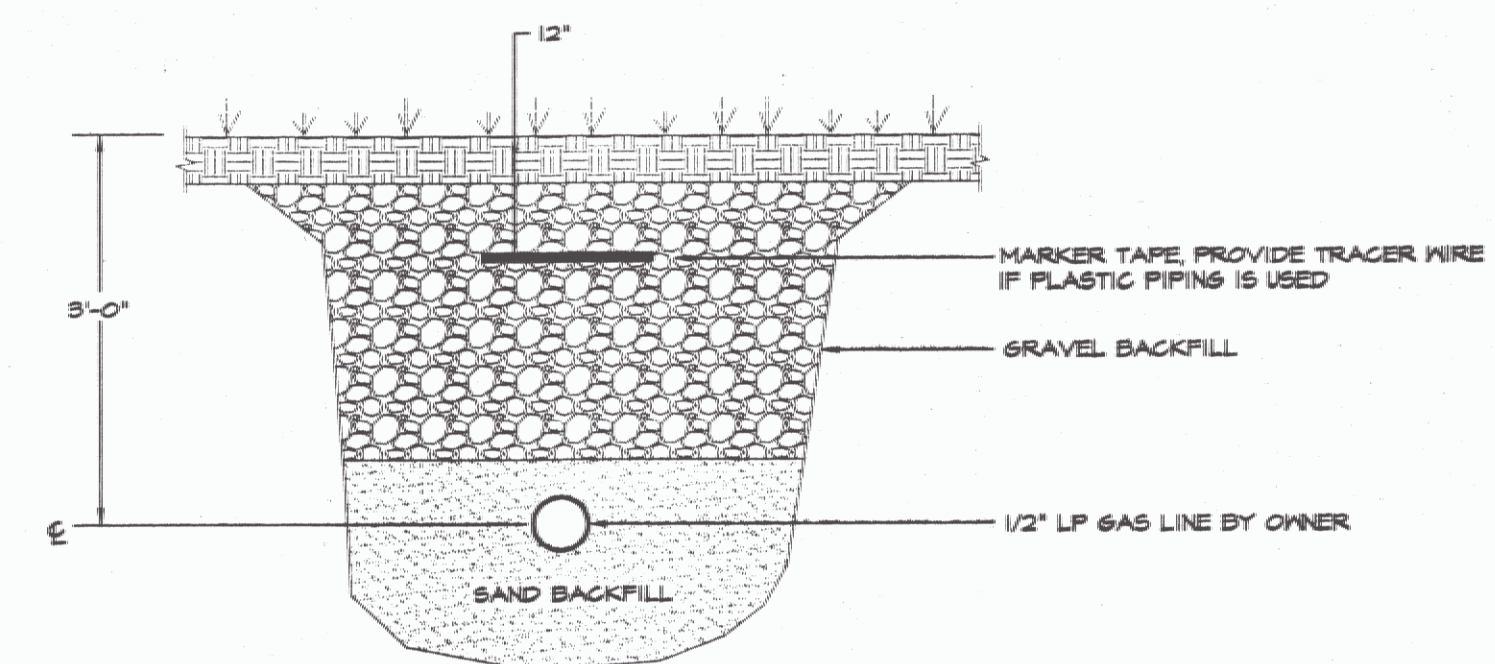
NOTES:
1) PROVIDE GALVANIZED BIRDSCREEN. BAKED ENAMEL FINISH, COLOR TO BE SELECTED BY ENGINEER.

GAS FIRED UNIT HEATER SCHEDULE										PLAN SYMBOL
No.	MANUFACTURER	MODEL	CFM AT 0" E.S.P.	MBH LP GAS INPUT	MBH LP GAS OUTPUT	FAN DRIVE	MODEL			REMARKS
							H.P.	VOLT	PH	
GUH-1	REZTOR	UDBS-400	3500	300	249	BELT	1 1/2	240	1	NOTE 1
GUH-2	REZTOR	UDBS-400	3500	300	249	BELT	1 1/2	240	1	NOTE 1
GUH-3	REZTOR	UDBS-45	456	45	36.9	DIRECT	1/6	115	1	NOTE 2

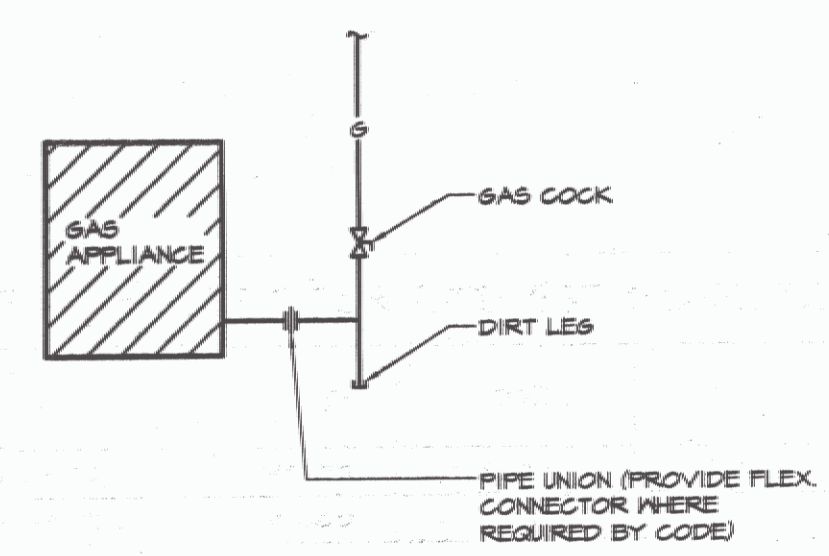
NOTES:
1) PROVIDE ALL STANDARD FEATURES INCLUDING THE FOLLOWING FACTORY INSTALLED OPTIONS: PROPANE CONVERSION KIT, TWO STAGE CONTROL, 401 STAINLESS STEEL HEAT EXCHANGER, ADJUSTABLE BELT DRIVE MOTOR, TOTALLY ENCLOSED MOTOR, BLOWER AND BELT GUARDS. PROVIDE THE FOLLOWING FIELD INSTALLED ACCESSORIES: COMBUSTION AND VENT KIT, TWO STAGE THERMOSTAT.
2) PROVIDE ALL STANDARD FEATURES INCLUDING THE FOLLOWING FACTORY INSTALLED OPTIONS: PROPANE CONVERSION KIT, TWO STAGE CONTROL, 401 STAINLESS STEEL HEAT EXCHANGER, ADJUSTABLE MULTI-TAP DIRECT DRIVE MOTOR, DUCT FLANGE, TOTALLY ENCLOSED MOTOR, BLOWER GUARD. PROVIDE THE FOLLOWING FIELD INSTALLED ACCESSORIES: COMBUSTION AND VENT KIT, TWO STAGE HEATING THERMOSTAT.



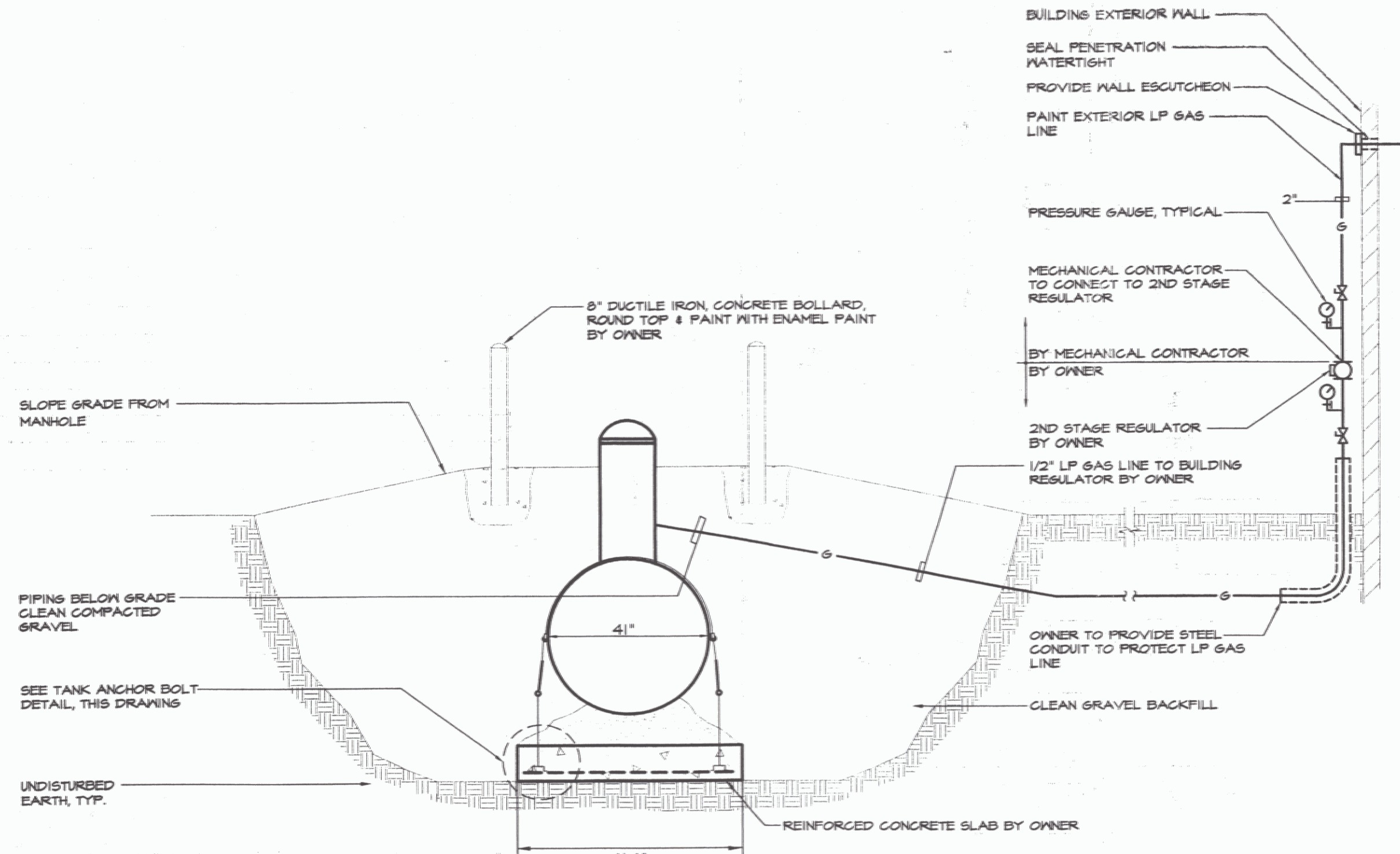
TANK ANCHOR BOLT DETAIL
NOT TO SCALE



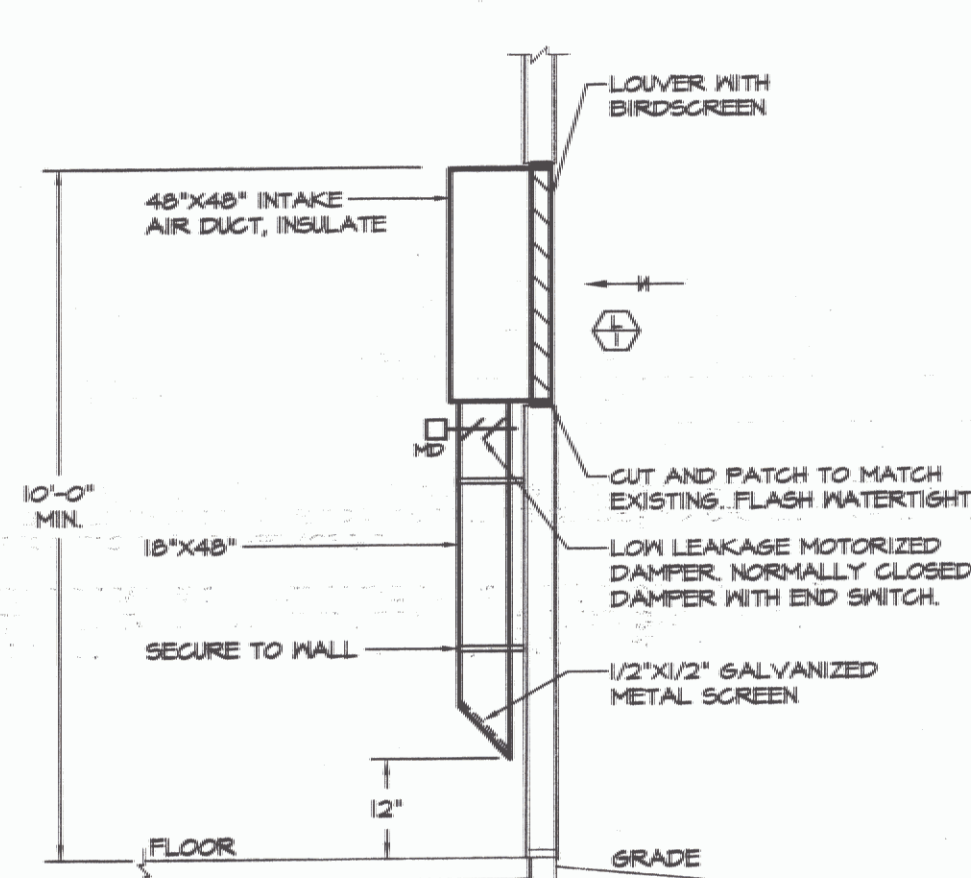
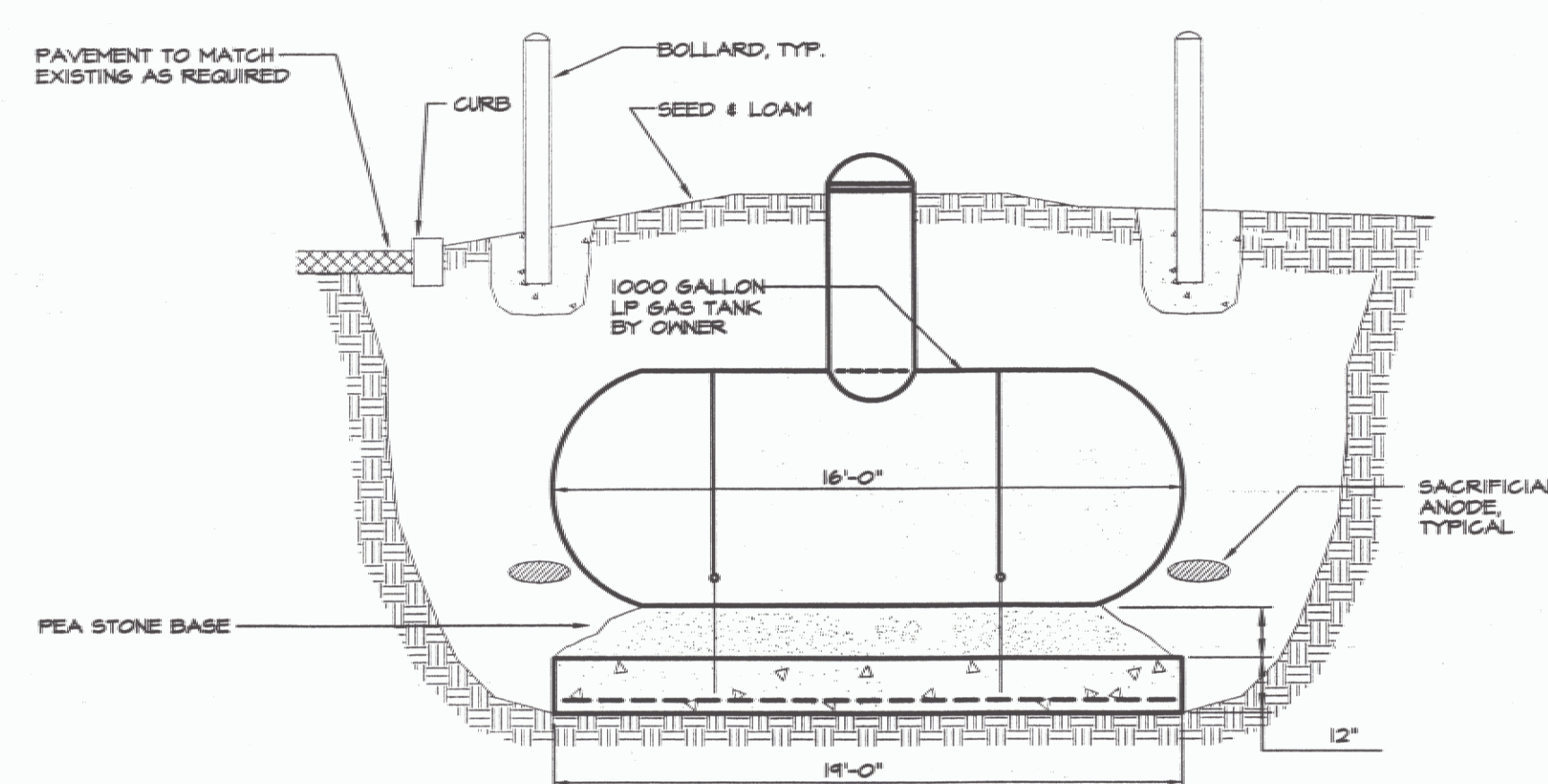
LP GAS SUPPLY PIPE TRENCHING DETAIL
NOT TO SCALE



LP GAS APPLIANCE CONNECTION DETAIL
NOT TO SCALE



UNDERGROUND LP GAS TANK DETAILS
NOT TO SCALE



INTAKE LOUVER DETAIL
NOT TO SCALE

	BIDDING AND CONSTRUCTION	01/2005
NO.	ISSUED FOR	DATE

LANE ASSOCIATES
CONSULTING ENGINEERS, P.C.

HEATING, VENTILATION, & AIR CONDITIONING, PLUMBING, FIRE PROTECTION, & ELECTRICAL.

CHARLES F. LANE, P.E.
DANIEL W. DUPRAS, P.E.

51 KILLINGTON AVENUE, RUTLAND, VERMONT 05701
TELEPHONE: (802)747-3346
FAX/MODEM: (802)747-3356

MECHANICAL SCHEDULES AND DETAILS				M 3
EDEN AOT GARAGE VERMONT AGENCY OF TRANSPORTATION EDEN, VERMONT				
APPR.	DWD	DRAWN:	KPC	SCALE: AS NOTED
PROJ. NO.				0312-21