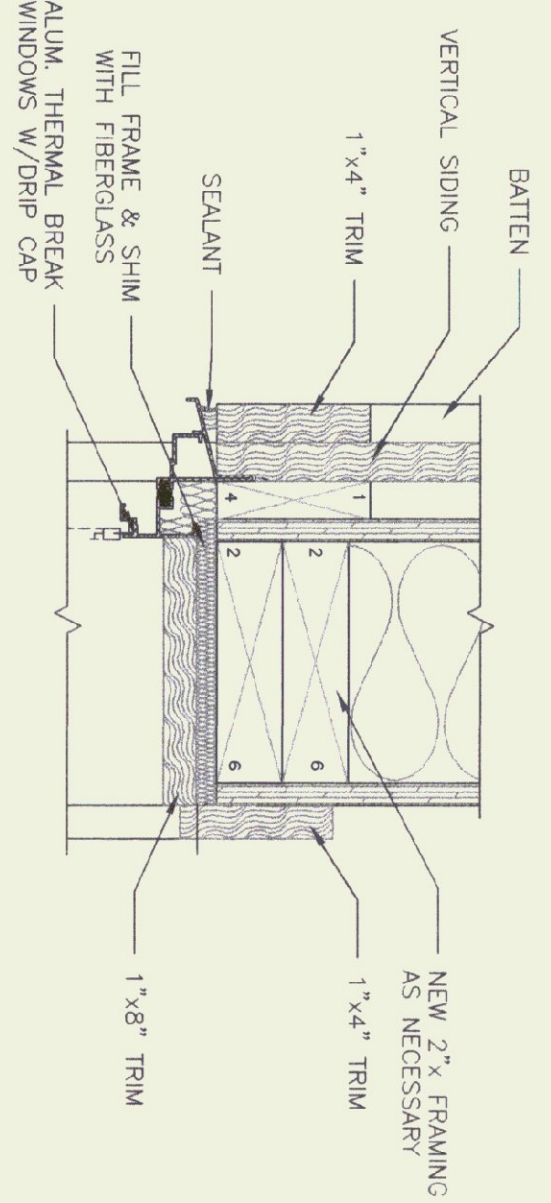
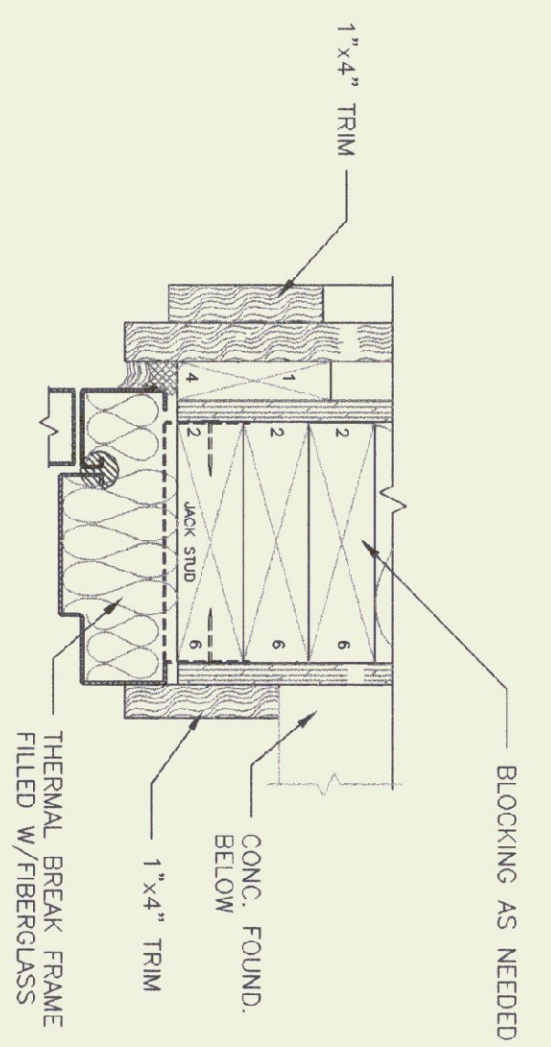


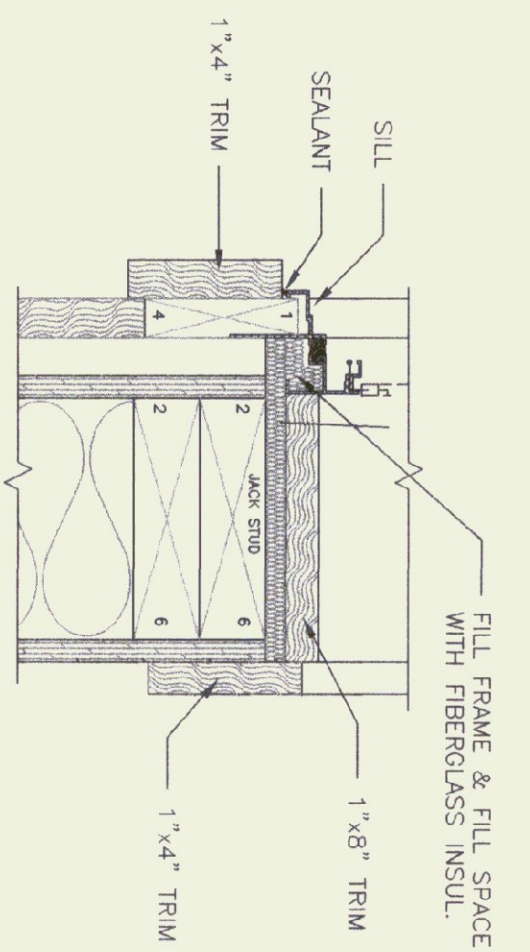
DOOR HEAD
SCALE: 3" = 1'-0"



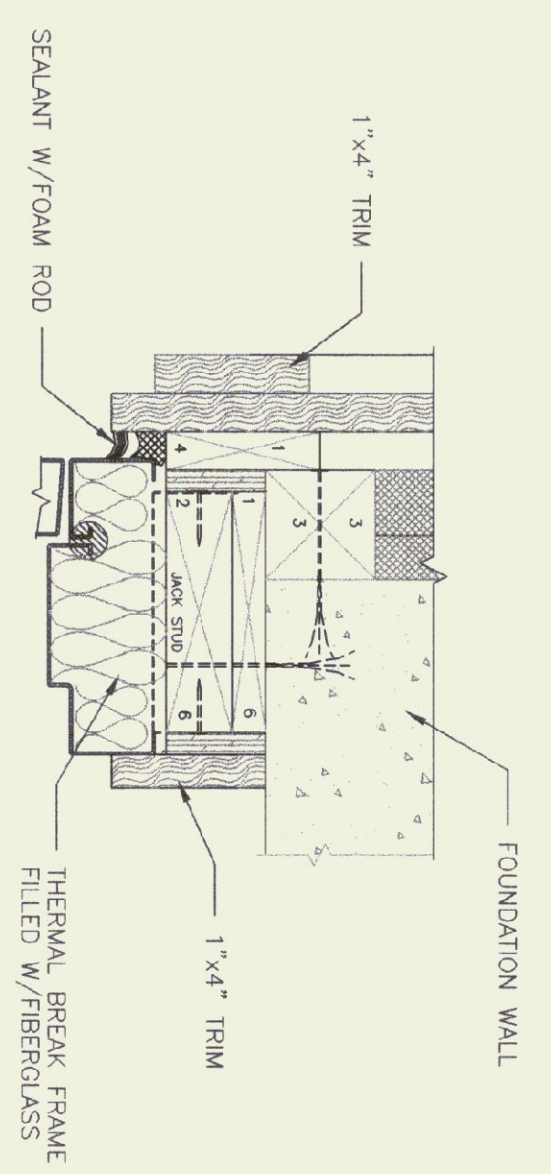
TYPICAL WINDOW HEAD
SCALE: 3" = 1'-0"



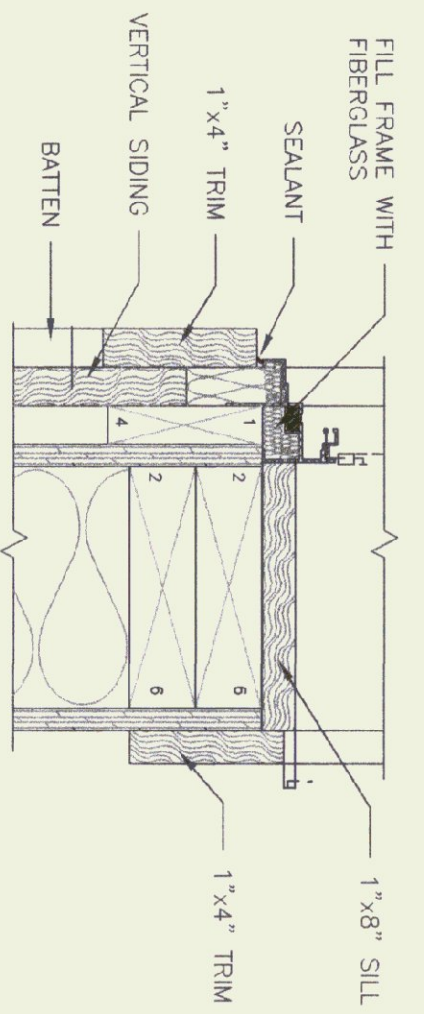
DOOR JAMB ABOVE FOUND.
SCALE: 3" = 1'-0"



TYPICAL WINDOW JAMB
SCALE: 3" = 1'-0"

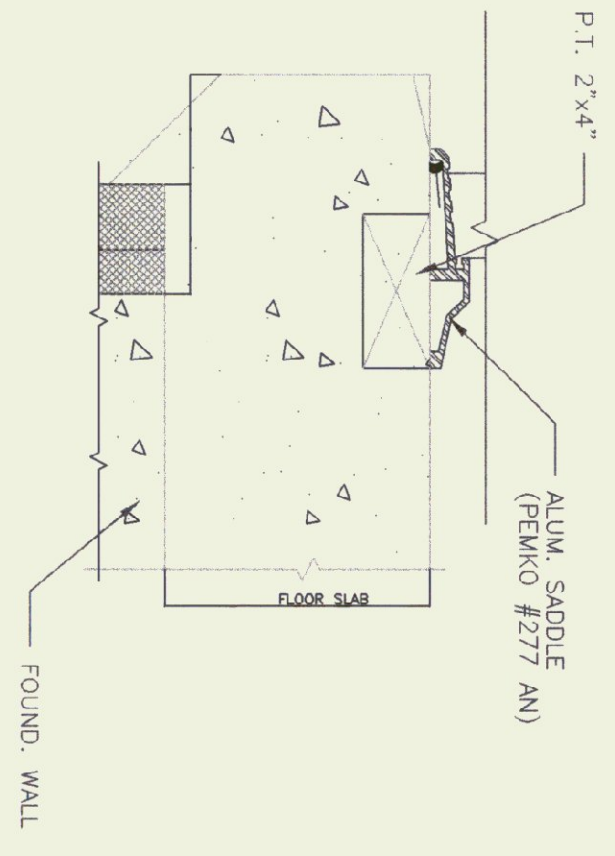


DOOR JAMB ABOVE FOUND.
SCALE: 3" = 1'-0"

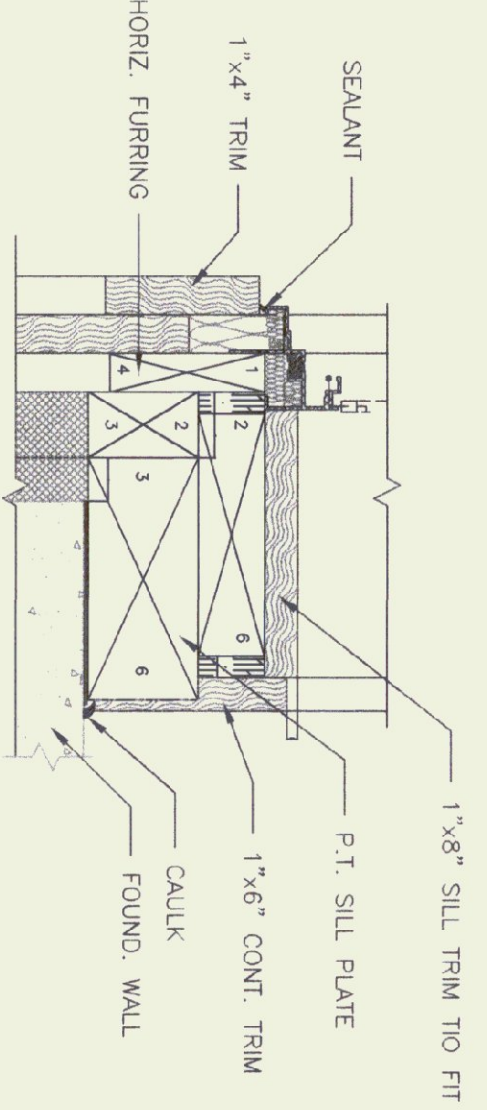


WINDOW SILL @ MEZZ. LEVEL
SCALE: 3" = 1'-0"

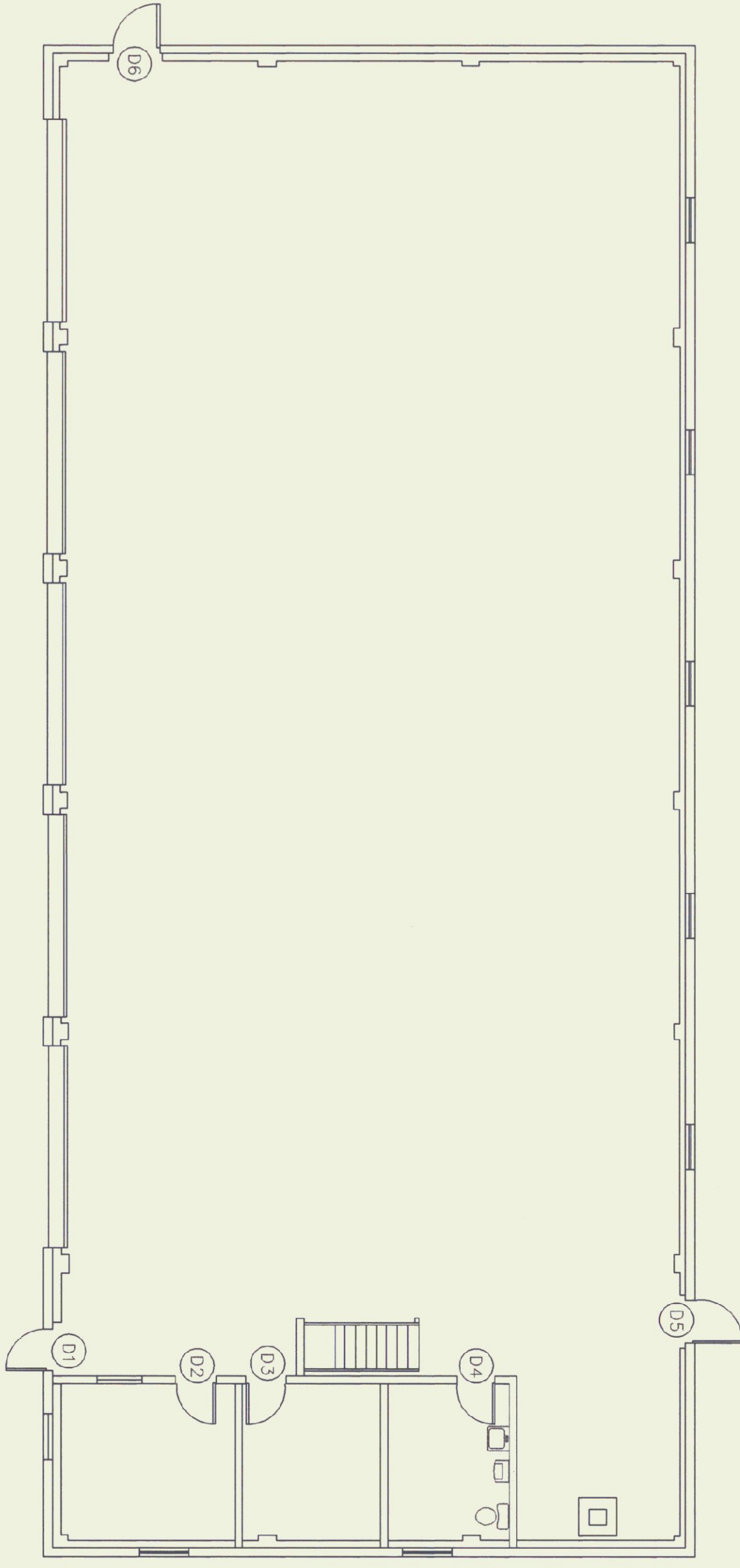
NOTE:
UTILIZE THE TYPICAL FRAMING DETAILS AROUND DOOR REPLACEMENT OR DURING NEW WINDOW INSTALLATION AS REQUIRED.



DOOR SILL
SCALE: 3" = 1'-0"



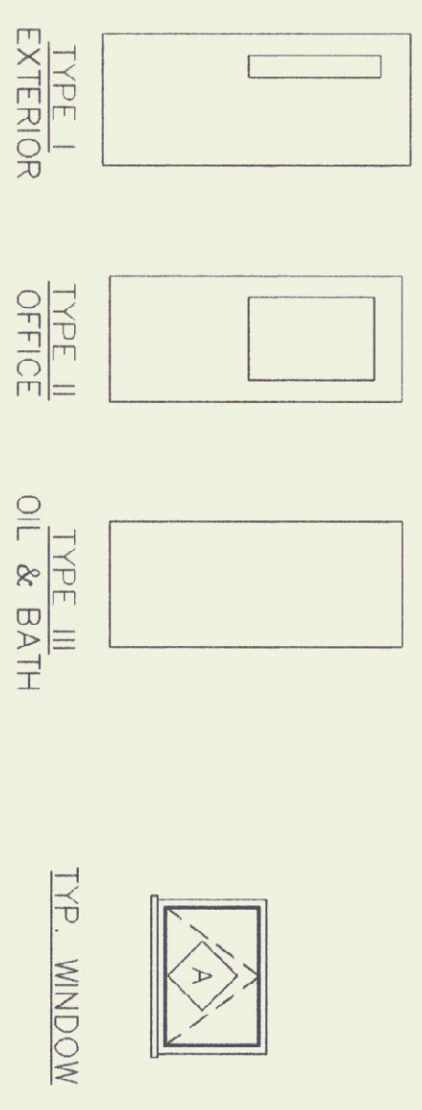
WINDOW SILL @ OFFICE
SCALE: 3" = 1'-0"



GARAGE DOOR PLAN
SCALE: 1/8" = 1'-0"

NO.	QUANTITY	SIZE	TYPE	DOOR MATERIAL	FRAME MATERIAL	HARDWARE SET #	GLAZING REQUIRED	CLOSER	REMARKS
D1	1	3'-0"x7'-0"	I	INSULATED METAL	METAL	1	6" X 48" WIRE GLASS	SARGENTS 1250 X P.A. X H.O.	THERMAL BREAK FRAME SWEEP. REUSE EXIST. CORE
D2	EXISTING	2'-8"x6'-8"	II	HOLLOW METAL	"	2	-	-	PROVIDE/INSTALL NEW LATCHSET REUSE EXIST. CORE
D3	EXISTING	2'-8"x6'-8"	III	HOLLOW METAL	"	4	-	-	PROVIDE/INSTALL NEW LATCHSET NEW CORE REQUIRED
D4	EXISTING	2'-8"x6'-8"	III	HOLLOW METAL	"	3	-	-	PROVIDE/INSTALL NEW LATCHSET REUSE EXIST. CORE
D5	EXISTING	3'-0"x7'-0"	I	INSULATED METAL	"	1	-	-	PROVIDE/INSTALL NEW LATCHSET REUSE EXIST. CORE
D6	EXISTING	3'-0"x7'-0"	I	INSULATED METAL	"	1	-	-	PROVIDE/INSTALL NEW LATCHSET REUSE EXIST. CORE

DOOR SCHEDULE



NO.	QUANTITY	TYPE	FRAME MATERIAL	ROUGH OPENING	REMARKS
A	10	AWNING	METAL	3'-4 1/2" X 2'-6 1/2"	AGORN BLDG. COMPONENTS 4300 SERIES-3420 C

WINDOW SCHEDULE

REVISIONS

SCALE: AS NOTED
DATE: AUG. 1998
DRAWN BY: P. HENNOY
APPR. BY:

AGENCY OF TRANSPORTATION
CAMBRIDGE HIGHWAY GARAGE
REROOF & RENOVATION
CAMBRIDGE VERMONT



STATE OF VERMONT
Department of Buildings
and General Services
Agency of Administration
Montpelier, Vermont

