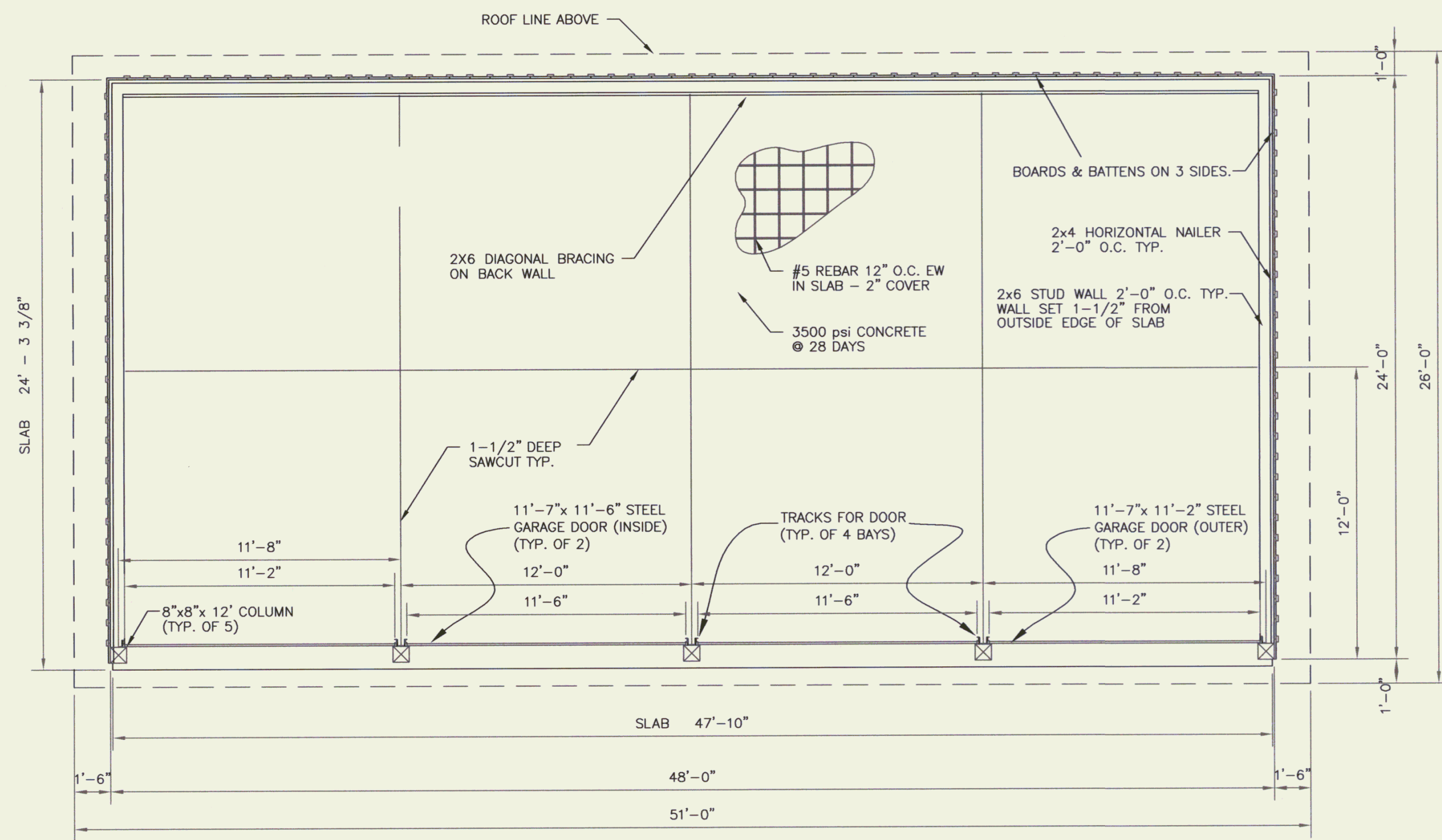


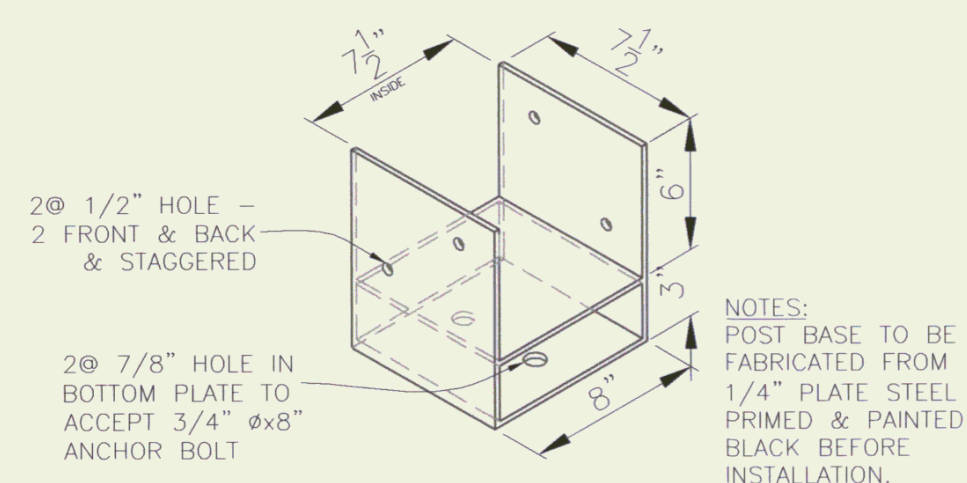
FRONT ELEVATION

SCALE: 1/4" = 1'-0"



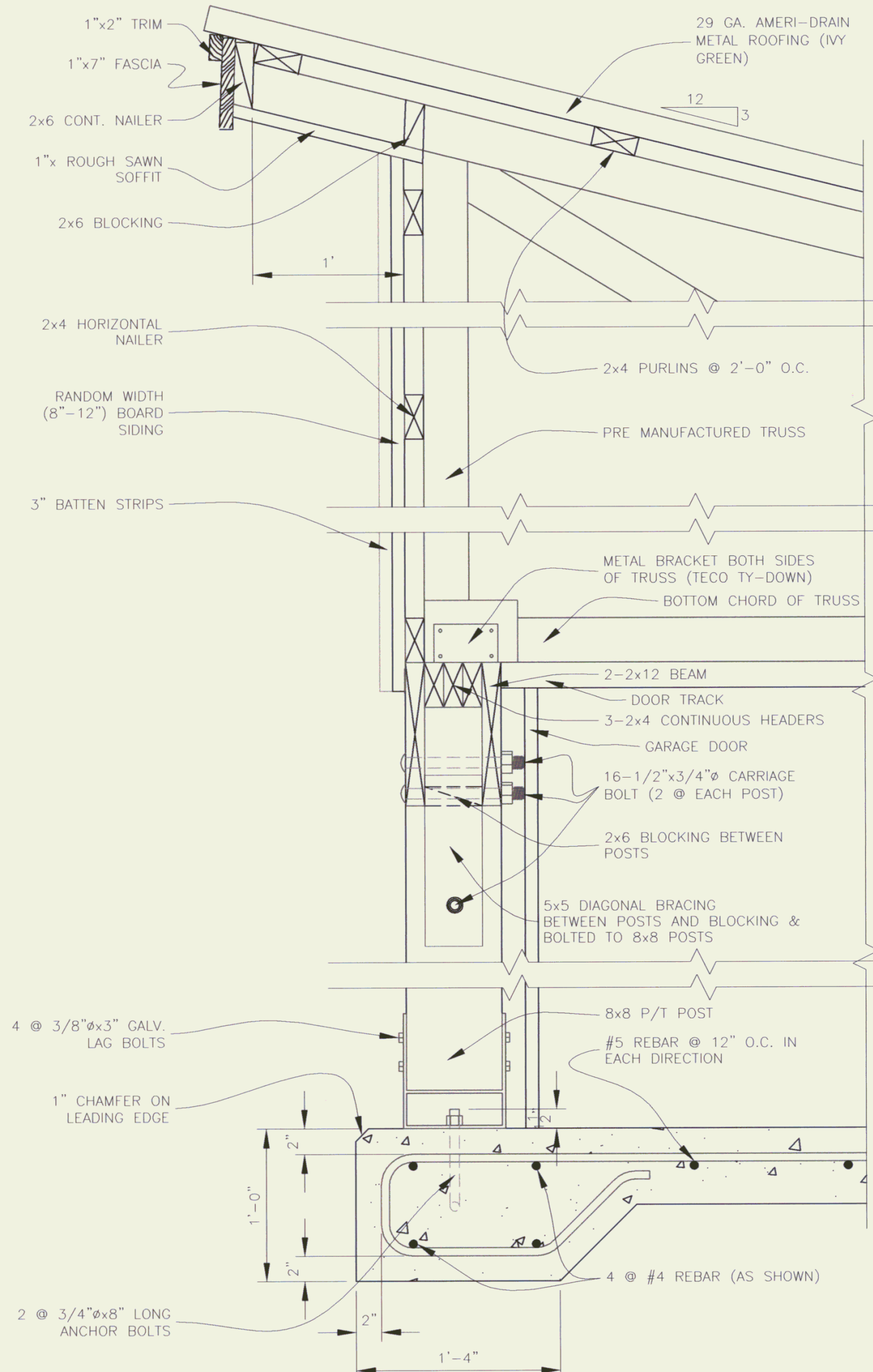
SHED PLAN

SCALE: 1/4" = 1'-0"



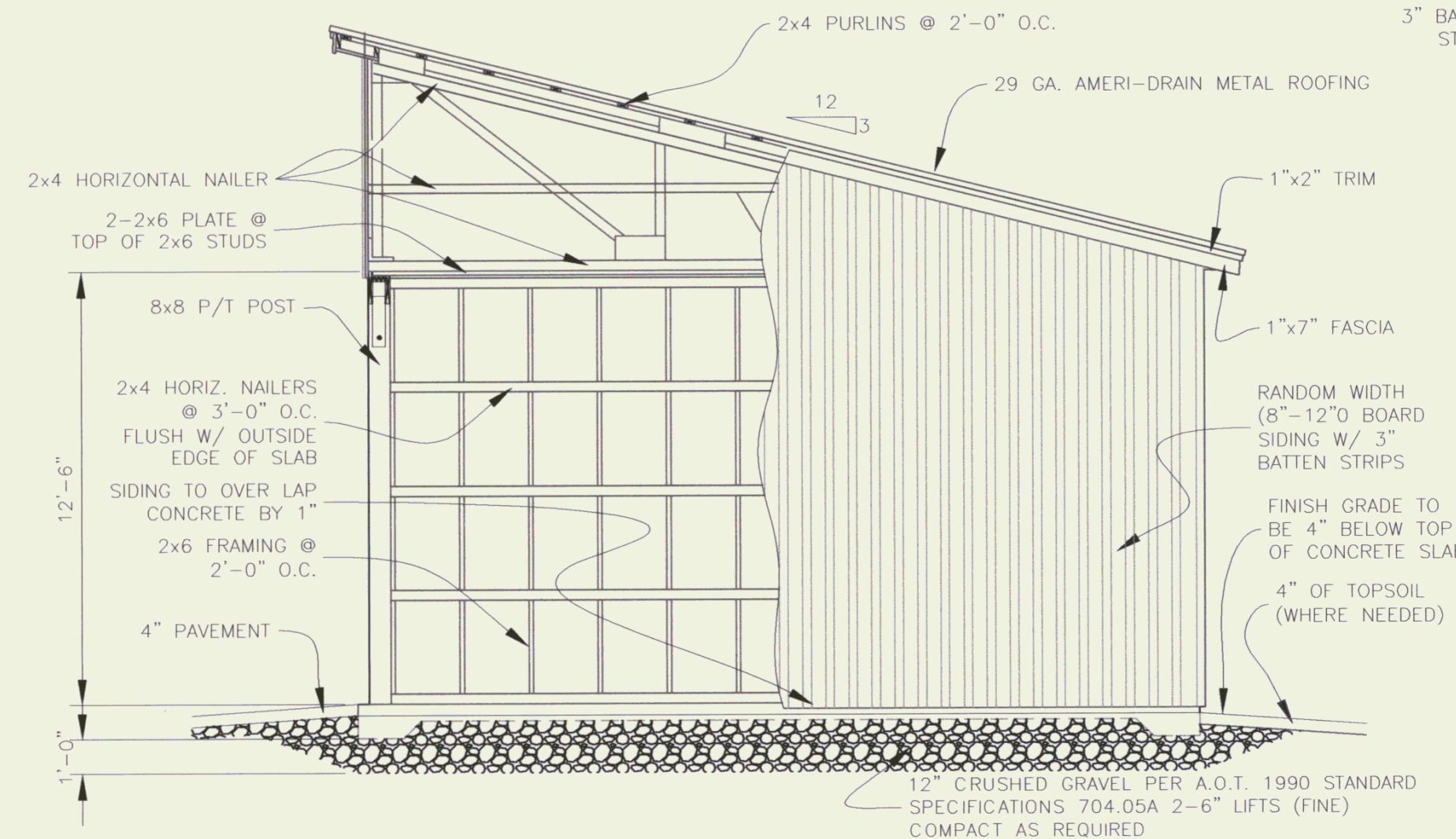
POST BASE DETAIL

SCALE: 1 1/2" = 1'-0"



SECTION

SCALE: 1 1/2" = 1'-0"



SIDE ELEVATION

SCALE: 1/4" = 1'-0"

GENERAL NOTES

TRUSS NOTES

TRUSS MANUFACTURER TO PROVIDE DEPT. OF STATE BUILDINGS ENGINEER A SET OF ENGINEERED & STAMPED DRAWINGS FOR APPROVAL PRIOR TO TRUSS MANUFACTURE.

TRUSS MANUFACTURER TO PROVIDE THE CONTRACTOR WITH ALL NECESSARY INSTRUCTIONS FOR PROPER TRUSS INSTALLATION, ANCHORAGE, BRACING, LIFTING, ECT.

TRUSS DESIGN LOADS IN ACCORDANCE WITH THE 1987 B.O.C.A. FOR VERMONT.

MINIMUM LOADS:

- LIVE - PER 1987 B.O.C.A. FOR VERMONT (40 PSF MIN.)
- DEAD - AS CALCULATED FROM TRUSS & ROOF MATERIAL 5 PSF ON BOTTOM CORD
- WIND - 25 PSF
- DIAGONAL WIND BRACING PER TRUSS MANUFACTURE.

LUMBER NOTES:

FRAMING MEMBERS TO BE KILN DRIED CONSTRUCTION GRADE SPRUCE S4S 19% MOISTURE CONTENT.

PLATES & NAILERS IN CONTACT WITH CONCRETE TO BE CCA 0.40 TREATED BOARD & BATTEN SIDING, TRIM, AND SOFFIT MATERIAL TO BE NATIVE ROUGH SAWN WHITE PINE, SPRUCE, EASTERN FIR OR RED PINE. BOARDS TO BE RANDOM WIDTH 8"-12" - BATTEN 3".

BOARD SIDING & BATTEN STRIPS TO BE FULL LENGTH (NO HORIZONTAL JOINTS).

ALL FASTENERS TO BE GALVANIZED AND SHALL BE APPROPRIATELY SIZED.

FINISH NOTES:

ALL BOARDS & BATTEN TO BE STAINED WITH ONE COAT (ALL SURFACES) PRIOR TO INSTALLATION. AFTER INSTALLATION EXTERIOR SIDING TO RECEIVE ONE ADDITIONAL COAT OF STAIN.

ROOFING COLOR: IVY GREEN (BY AMERI-DRAIN)

STAIN TO BE OLYMPIC OIL BASE SEMI-TRANSPARENT OXFORD BROWN #713.

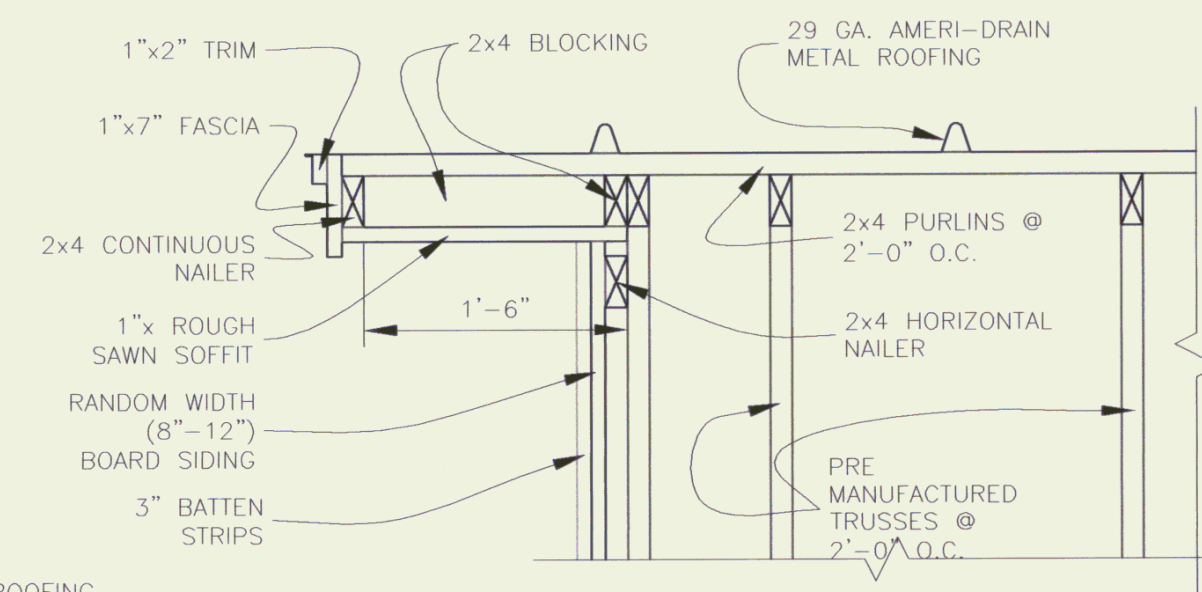
CONCRETE NOTES: PER A.O.T. STANDARD. STRENGTH: 3500 PSI

FINISH: FLOATED

CURING METHOD: PER TABLE 501.17A

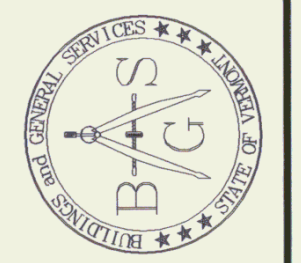
DOOR NOTES:

OVERHEAD DOORS TO BE SUPPLIED BY: OVERHEAD DOOR CORP.(OR EQUAL); (2)11'-7" x 11'-2" (OUTSIDE), (2)11'-7" x 11'-6" (INSIDE), SERIES 416, GALVANIZED STEEL, WITH 1 ROW OF WINDOW LITES- 4TH ROW INSTALLED ON LOW HEADROOM 2" TRACK, SPRINGS TO THE REAR.

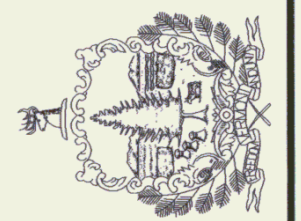


SOFFIT DETAIL

SCALE: 1" = 1'-0"



STATE OF VERMONT  
Department of Buildings  
and General Services  
Agency of Administration  
Montpelier, Vermont



AGENCY OF TRANSPORTATION  
READSBORO MAINTENANCE FACILITY  
STORAGE SHED  
VERMONT  
READSBORO

REVISIONS
9/1/99 BTM
10/15/99 ADV
09/05/01 BTM
08/28/02 KDR

SCALE: As Noted
DATE: SEPT. 2002
DRAWN BY: K.ROUELLE
APPR. BY: R.BARRY

A.O.T.  
24'x48'  
STORAGE SHED  
READSBORO

SB-1