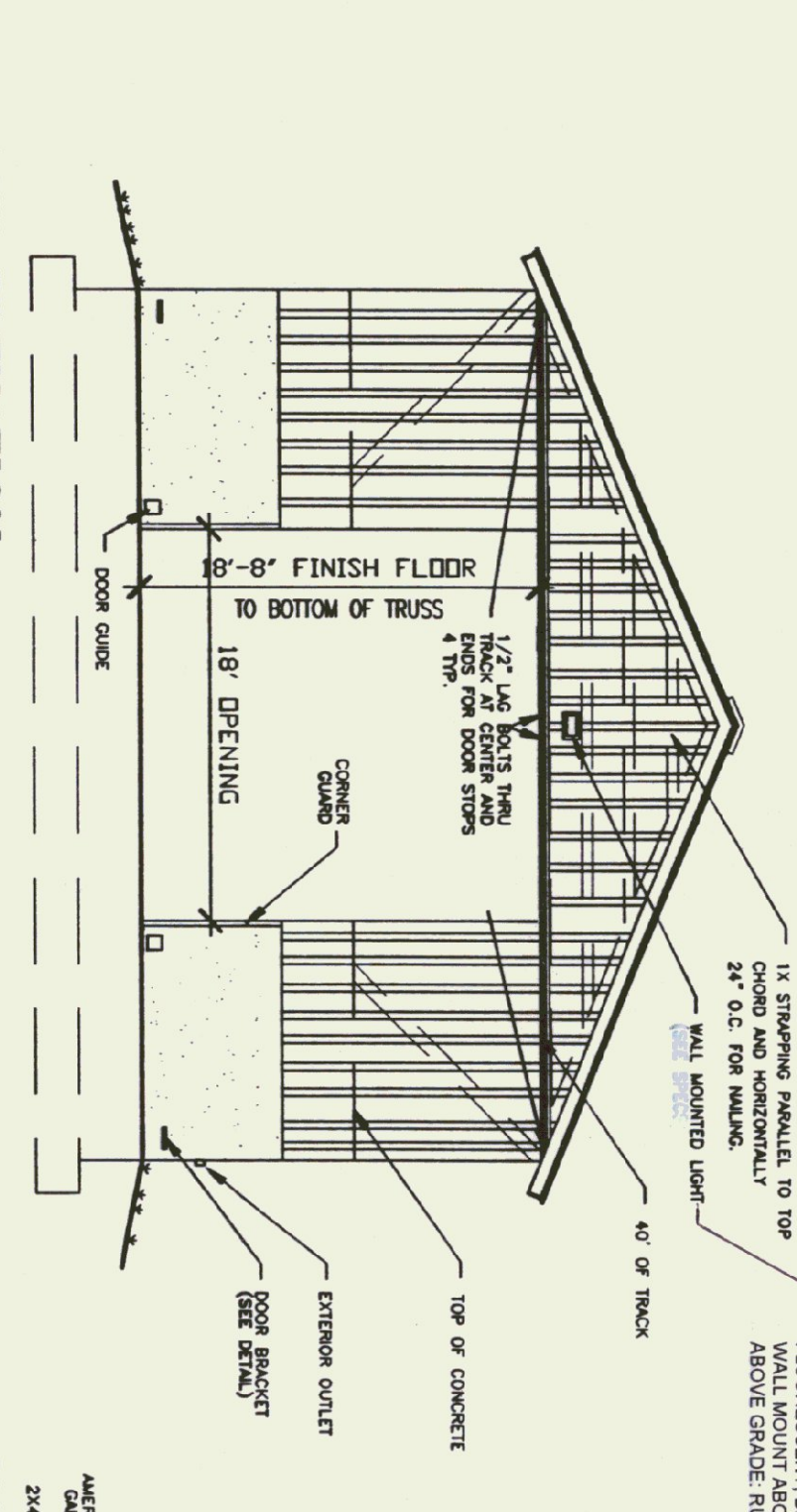
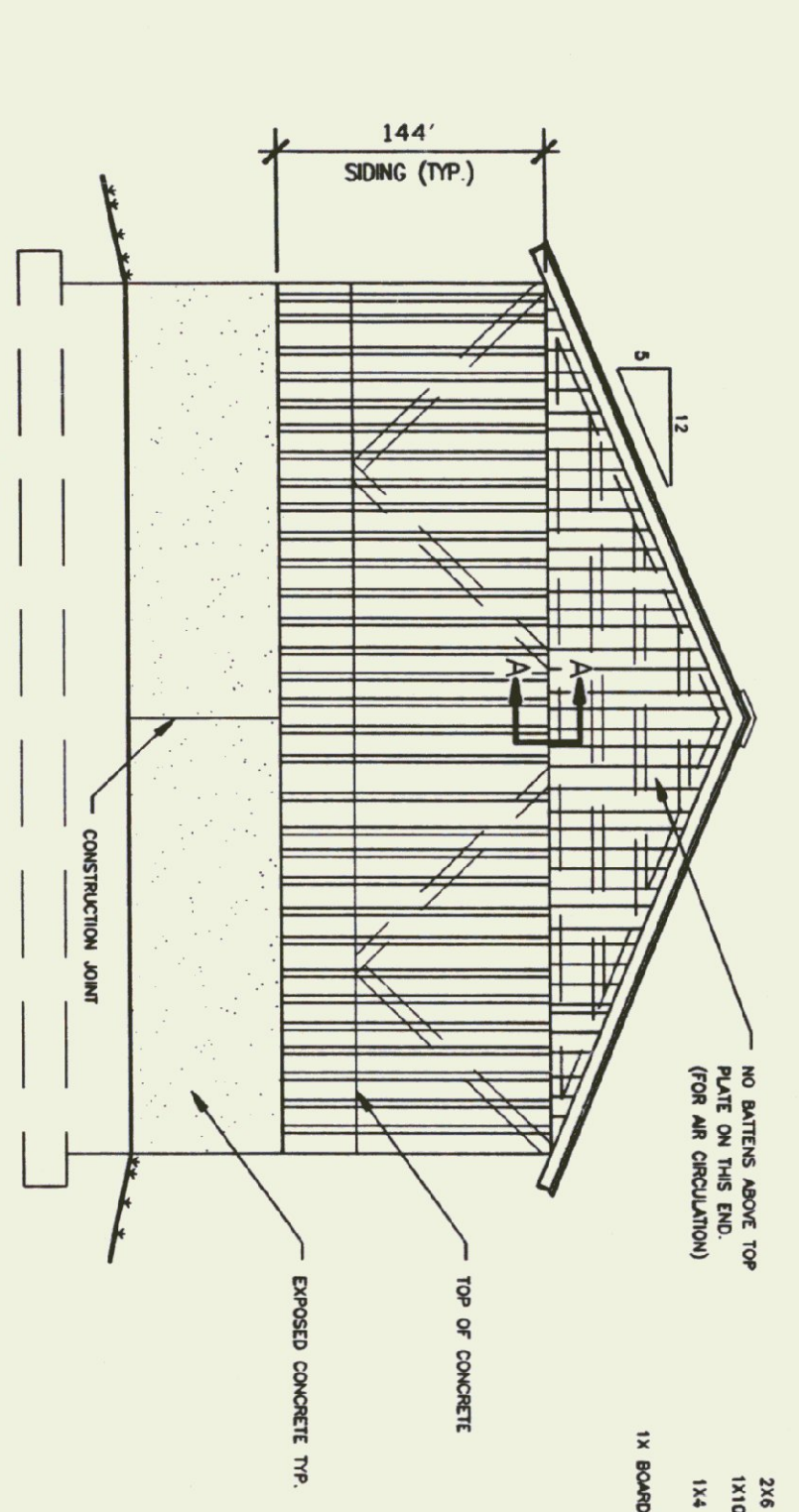


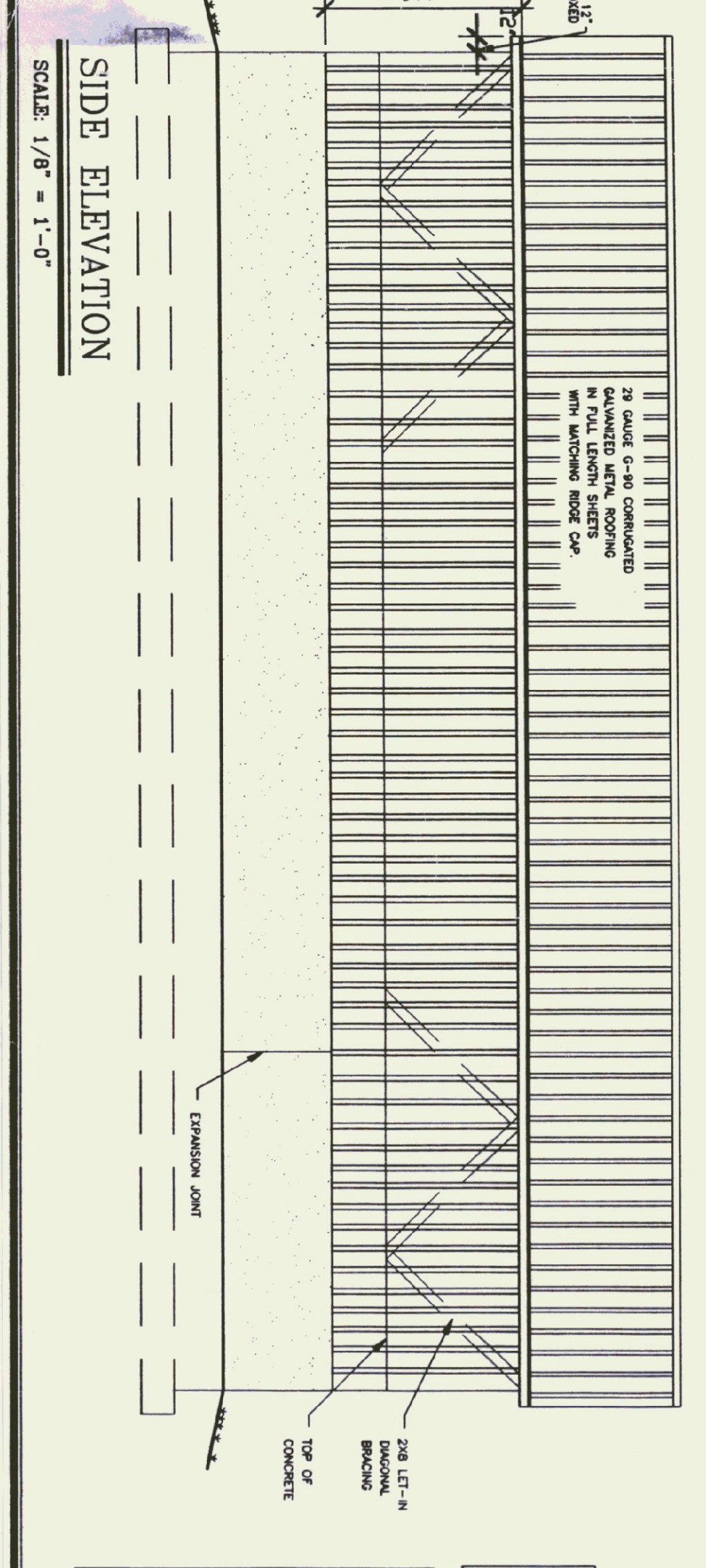
FOUNDATION PLAN  
SCALE: 1/8" = 1'-0"



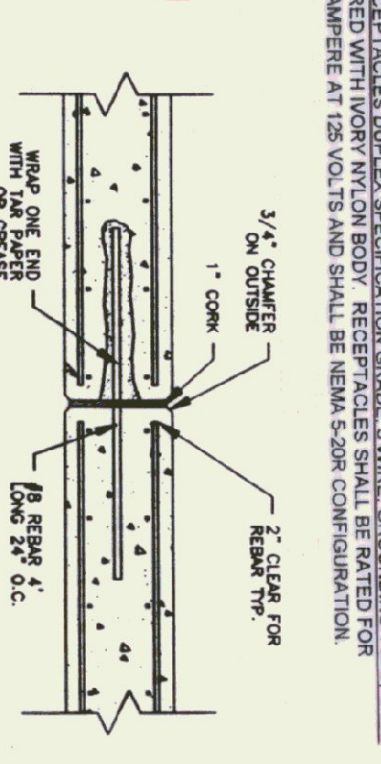
FRONT ELEVATION  
SCALE: 1/8" = 1'-0"



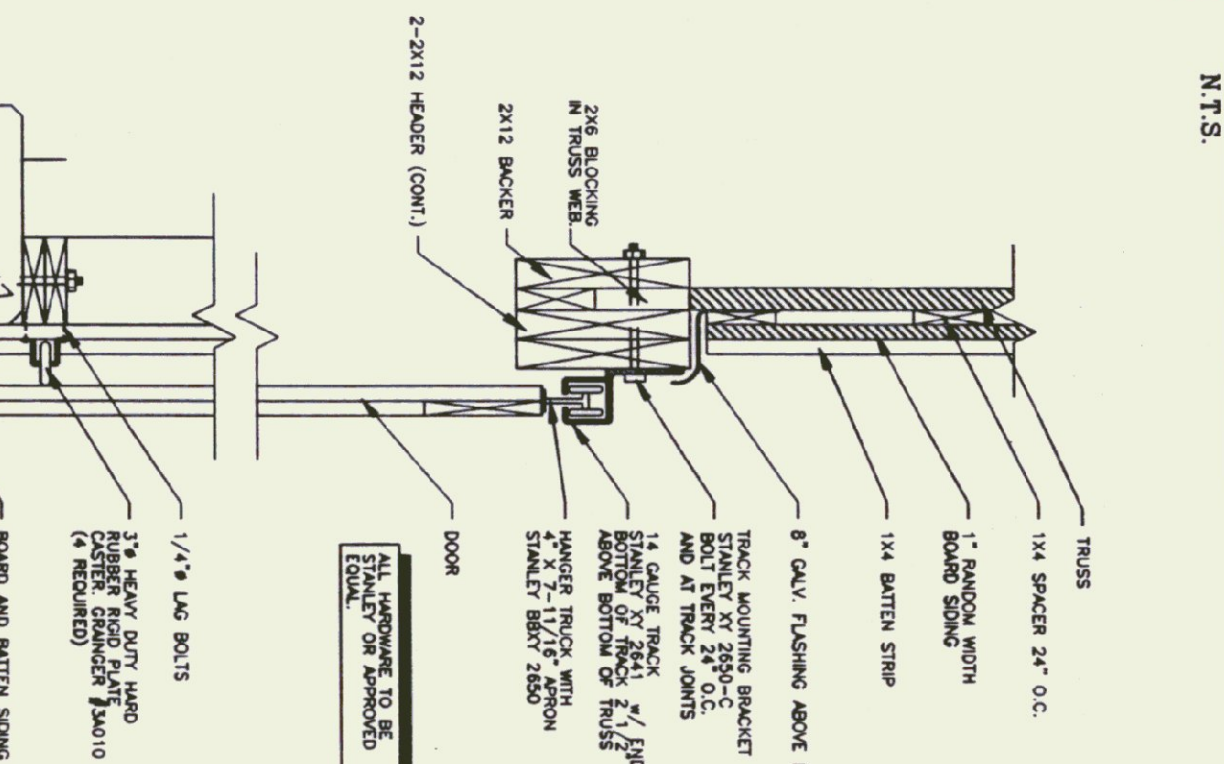
BACK ELEVATION  
SCALE: 1/8" = 1'-0"



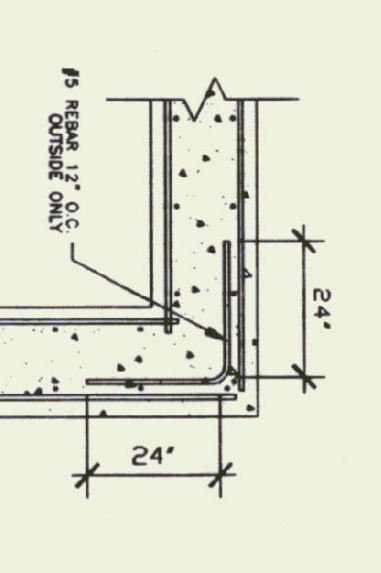
SIDE ELEVATION  
SCALE: 1/8" = 1'-0"



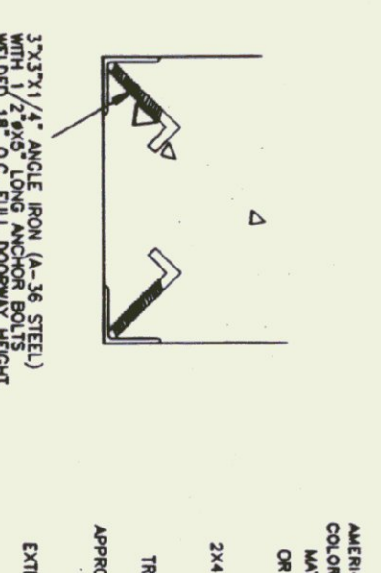
EXPANSION JOINT DETAIL  
N.T.S.



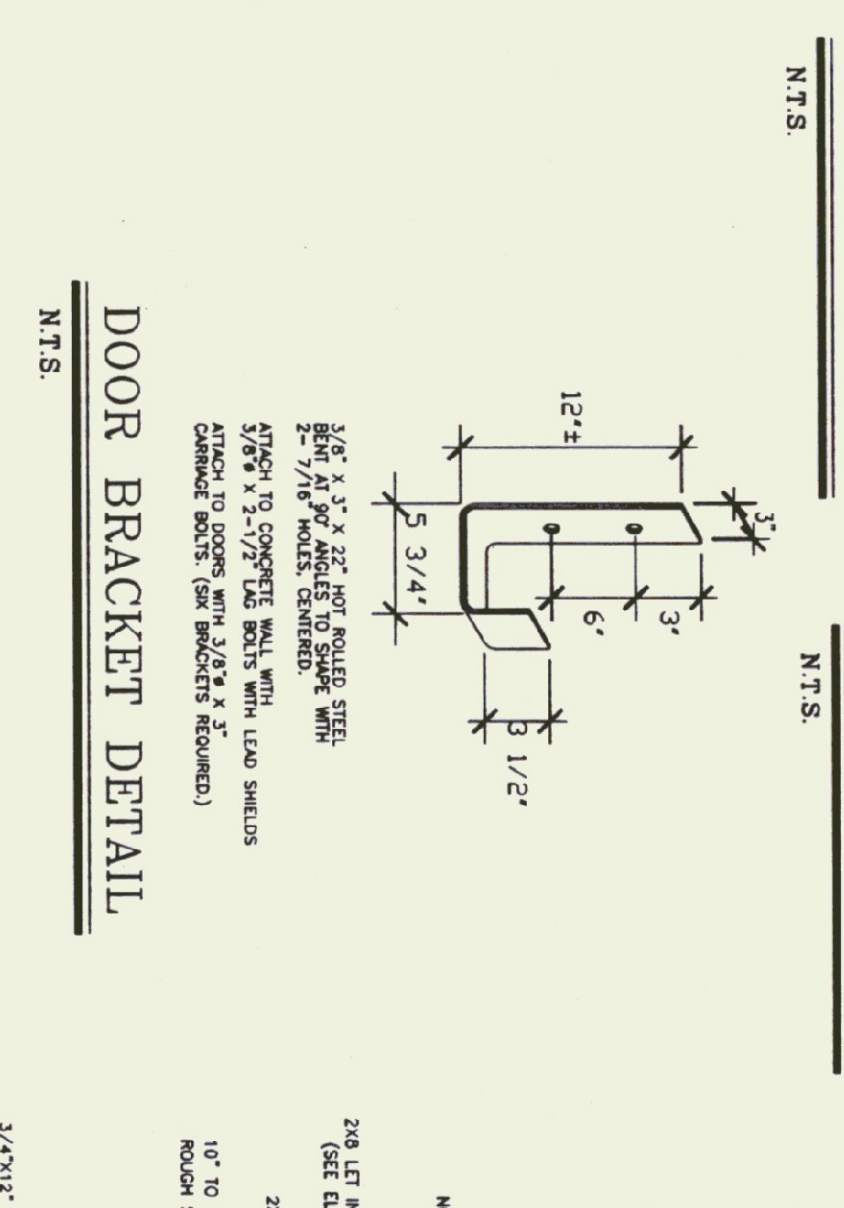
DOOR TRACK & GUIDE DETAIL  
N.T.S.



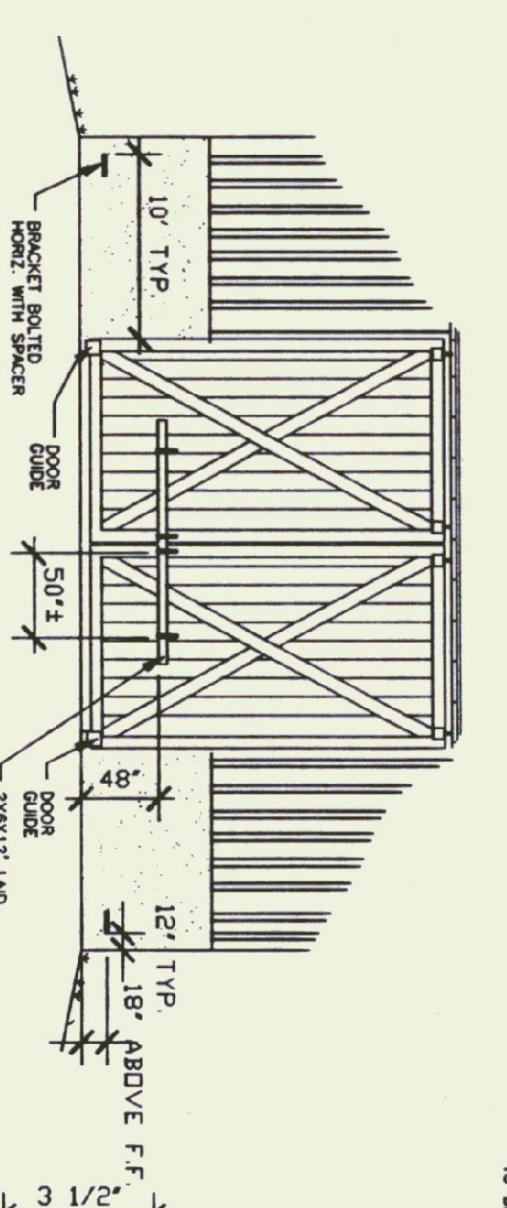
CORNER DETAIL  
N.T.S.



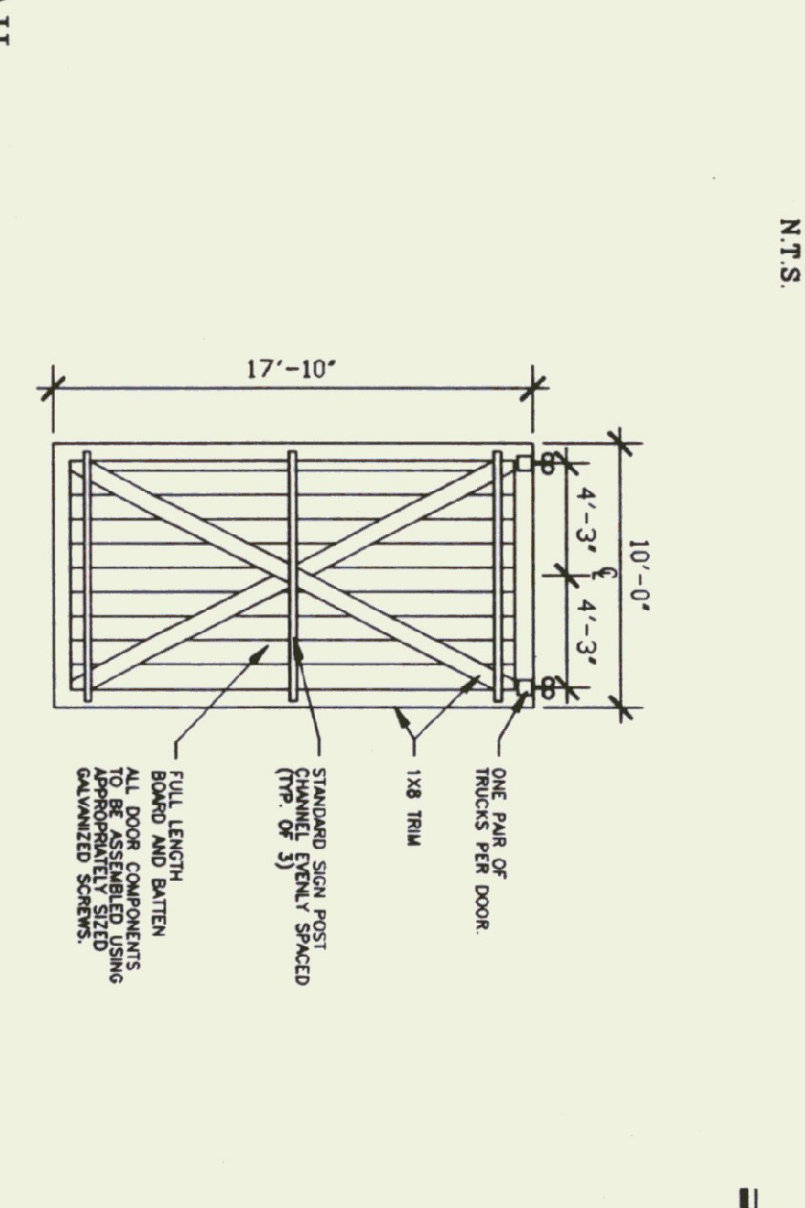
CORNER GUARD  
N.T.S.



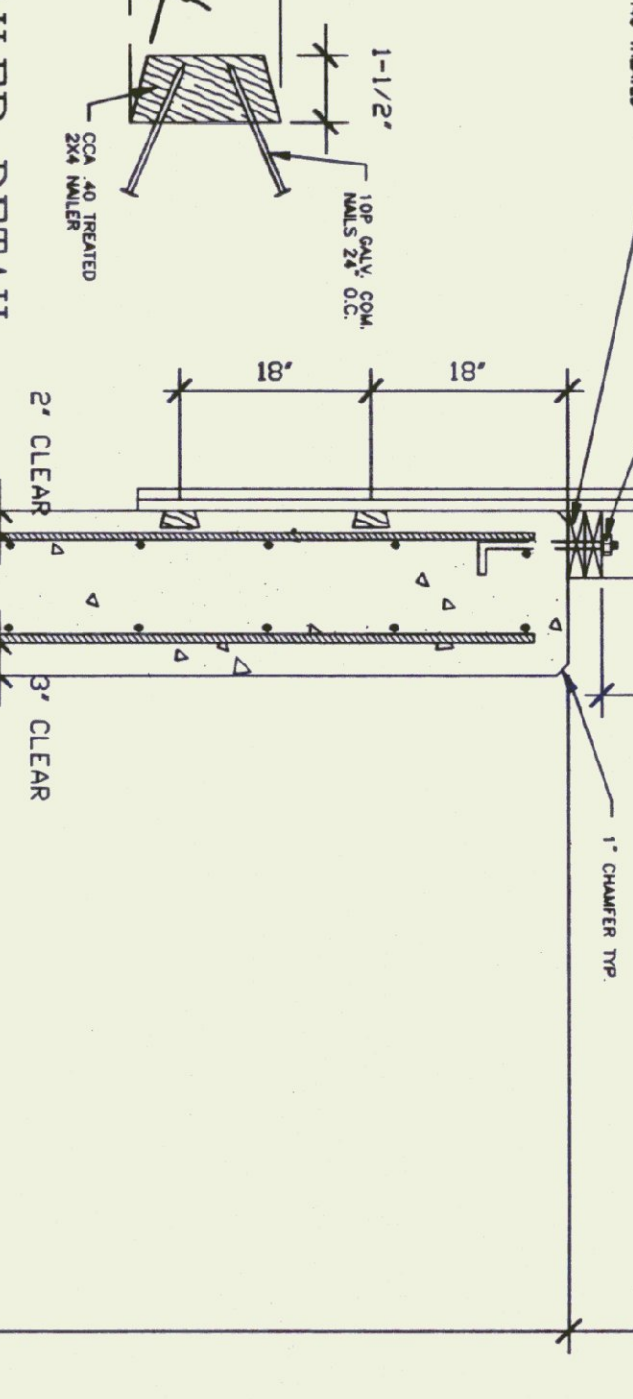
DOOR BRACKET DETAIL  
N.T.S.



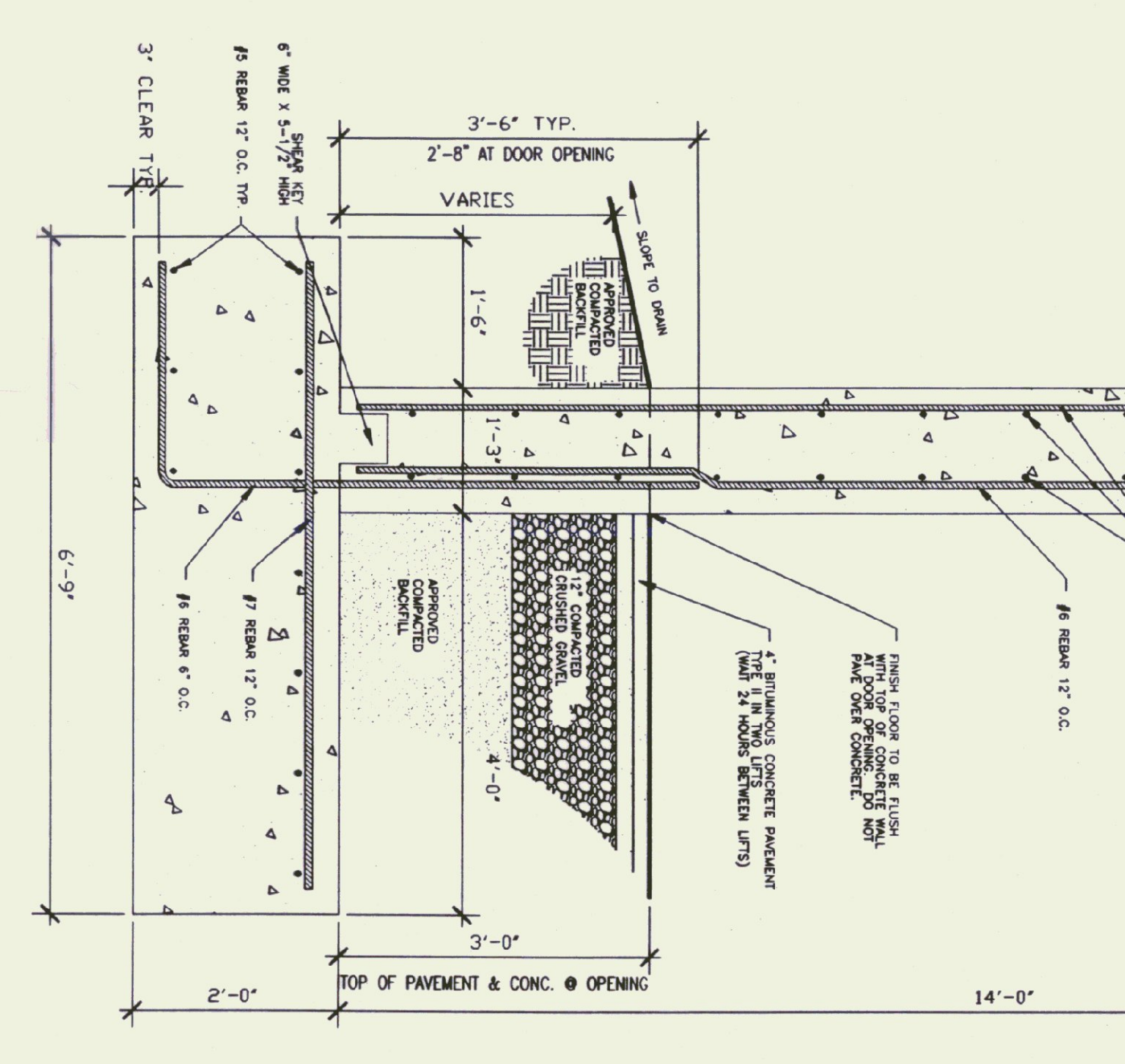
DOOR BRACKET LOCATION  
N.T.S.



EXT. DOOR DETAIL  
N.T.S.



NAILER DETAIL  
N.T.S.



WALL SECTION (TYP.)  
SCALE: 3/4" = 1'-0"

**TRUSS NOTES:**  
 THESE MANUFACTURERS TO PROVIDE THE SET OF STATE LICENSED ENGINEER A SET OF ENGINEERED AND STATED DRAWINGS FOR GENERAL FRAME TO TRUSS MANUFACTURER.  
 THESE MANUFACTURER TO PROVIDE THE CONTRACTOR WITH ALL THE NECESSARY TRUSS MANUFACTURER'S INSTRUCTIONS FOR PROPER INSTALLATION, LIFTING, ETC. TRUSS DESIGN IN ACCORDANCE WITH THE 1987 B.O.C.A. FOR VERMONT.  
 MANUAL LOADS:  
 LIVE - 50 P.S.F. - PER 1987 B.O.C.A. FOR VERMONT.  
 DEAD - AS SPECIFIED FROM TRUSS AND ROOF MATERIALS AND IN ADDITION WIND - 25 P.S.F.  
 DIAGONAL BRACING PER TRUSS MANUFACTURER AND PER MANUAL TRUSS BRACING DETAIL IN SPECIFICATIONS.

**GENERAL NOTES:**  
 ALL EXPOSED METAL CORNER ANGLES, DOOR GUIDES BRACKETS ETC. SHALL BE PAINTED FLAT BLACK (2 MILS THICK DRY FILM) OVER RUST INHIBITING PRIMER.  
 N.T.S.

**CONCRETE NOTES:**  
 ALL CONCRETE TO BE 3500 PSI @ 28 DAYS WITH A MAXIMUM SLUMP OF 4".  
 65-65 AIR ENTRAINMENT.  
 1/2" V JOINTS IN EXPOSED FACE OF CONSTRUCTION JOINTS.  
 3/4" CHAMFER ON EACH FACE OF EXPANSION JOINTS.  
 ANGLE IRON CAST INTO WALL CORNERS AT DOOR OPENINGS.  
 RE-BAR TO BE CONTINUOUS THROUGH CONSTRUCTION JOINTS.  
 NO HORIZONTAL CONSTRUCTION JOINTS IN WALLS - CONTINUOUS POUR.  
 CONSTRUCTION TO LEAVE NO UTILITY WITHIN 1' OF SURFACE UNLESS WITH AN APPROVED NON-SHANK GROUT.  
 ALL RE-BAR TO BE GRADE 60.  
 RE-BAR TO BE STOKED ON BLOCKING 4" MIN. ABOVE GROUND.  
 CONCRETE SUPPLIER TO PROVIDE TEST CHUNDERS FOR CONCRETE TESTING.  
 ALL CONCRETE TESTING TO BE DONE BY OWNER CONTRACTOR.  
 RESPONSIBLE FOR SCHEDULING.  
 EXPOSED WALLS TO BE DRESS FINISHED PER A.O.I. SPECIFICATIONS.

**NO MOISTURE CONTENT OF WOOD**  
**NO STAIN INFO**



STATE OF VERMONT  
 DEPARTMENT OF BUILDINGS  
 AND GENERAL SERVICES  
 AGENCY OF ADMINISTRATION  
 MONTPELIER, VERMONT



LOCATION & BUILDING  
 40' X 84' SALT SHED

REVISIONS  
 12-29-97 GDN.  
 1-8-98 GDN.

SCALE: AS NOTED  
 DATE: JAN 1997  
 DRAWN BY: G. D. NORWOOD  
 APPR. BY:

WILLIAMSTOWN  
 40' X 84'  
 SAND-SALT  
 SHED  
 A-1  
 4 OF 52  
 AUG 13 1998