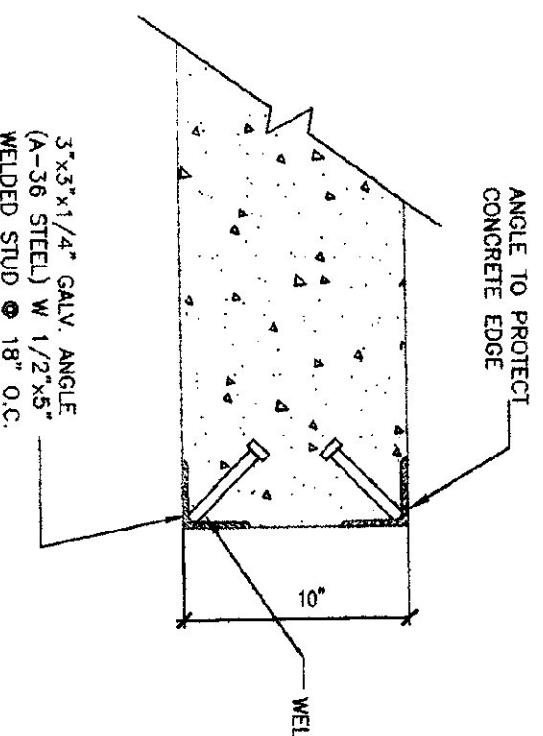
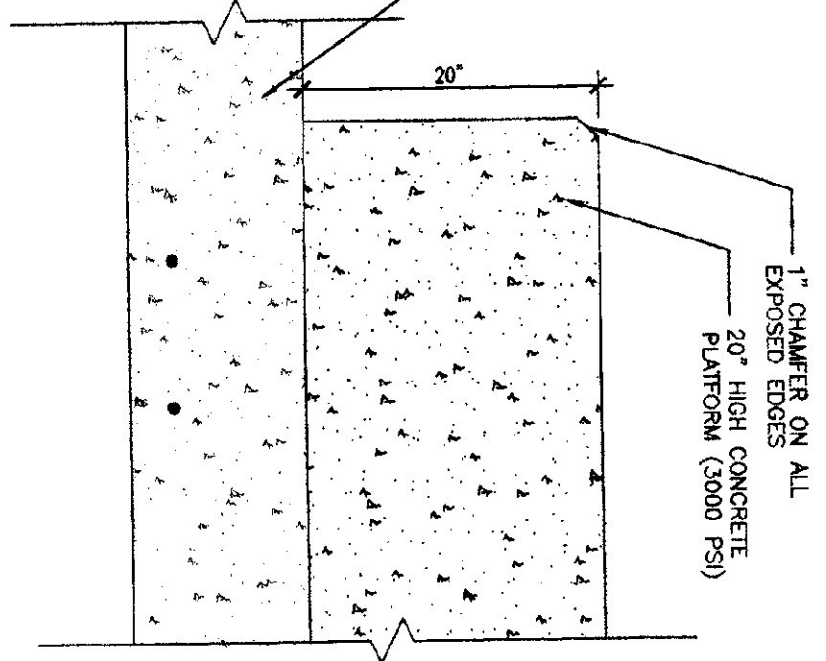


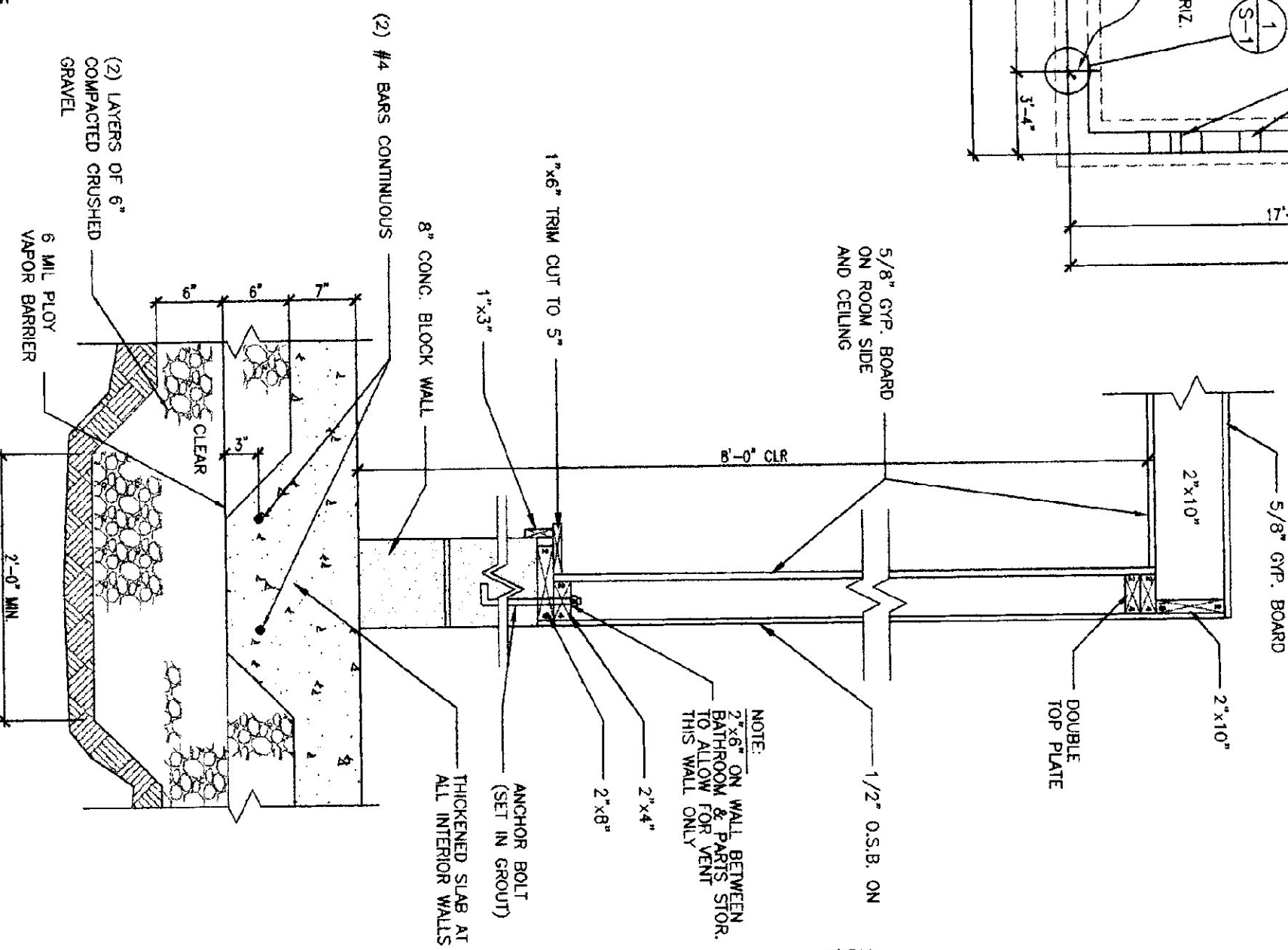
FOUNDATION PLAN
SCALE: 3/16" = 1'-0"



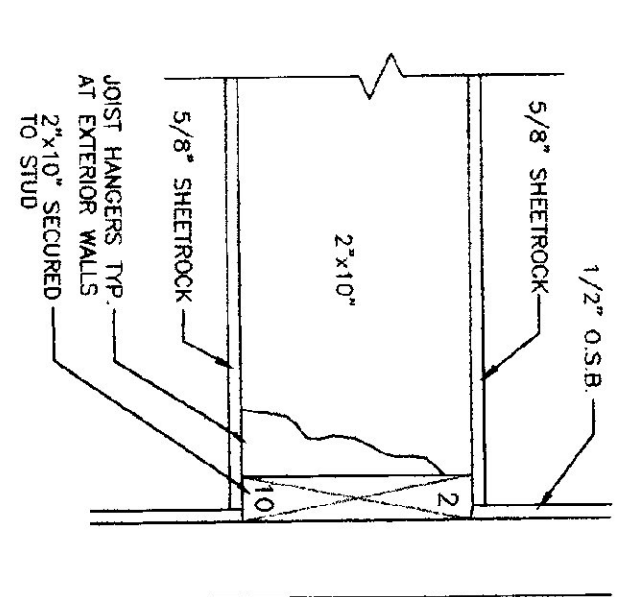
1 CORNER DETAIL
SCALE: 1/2" = 1'-0"



2 PLATFORM DETAIL
SCALE: 1" = 1'-0"

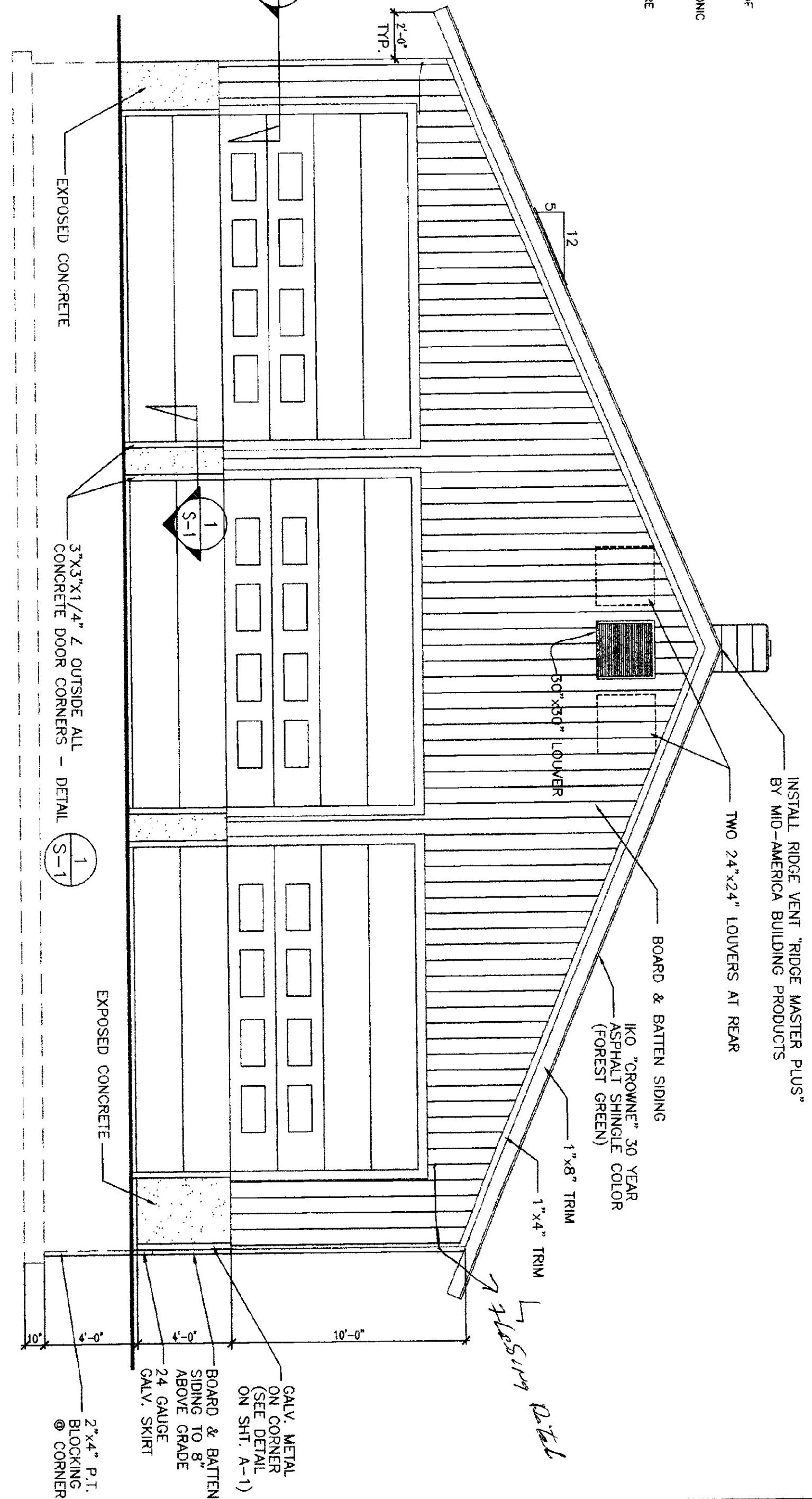


3 SECTION A-A/INTERIOR WALL
SCALE: 1" = 1'-0"

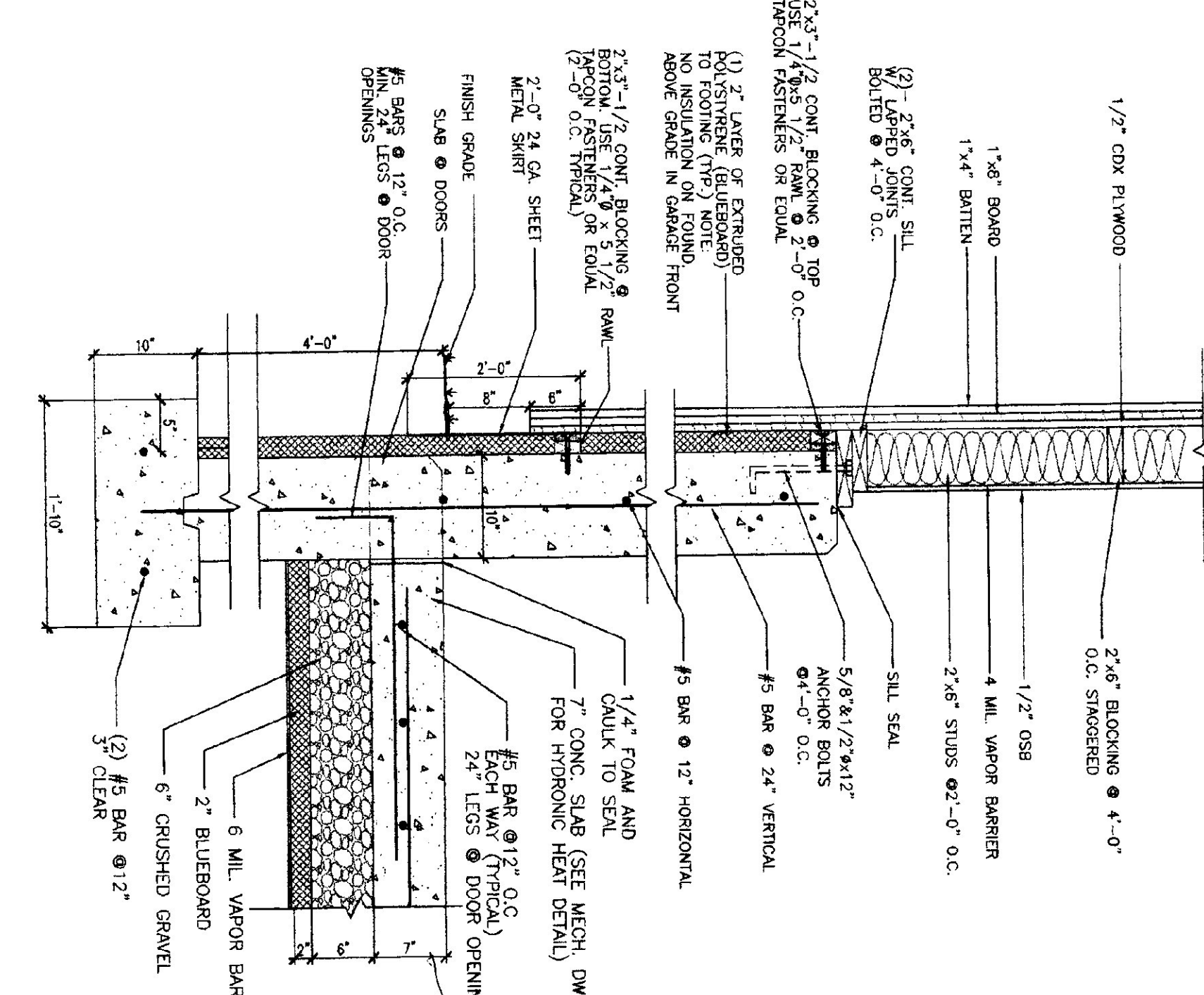


6 JOIST CONNECTION
SCALE: 1 1/2" = 1'-0"

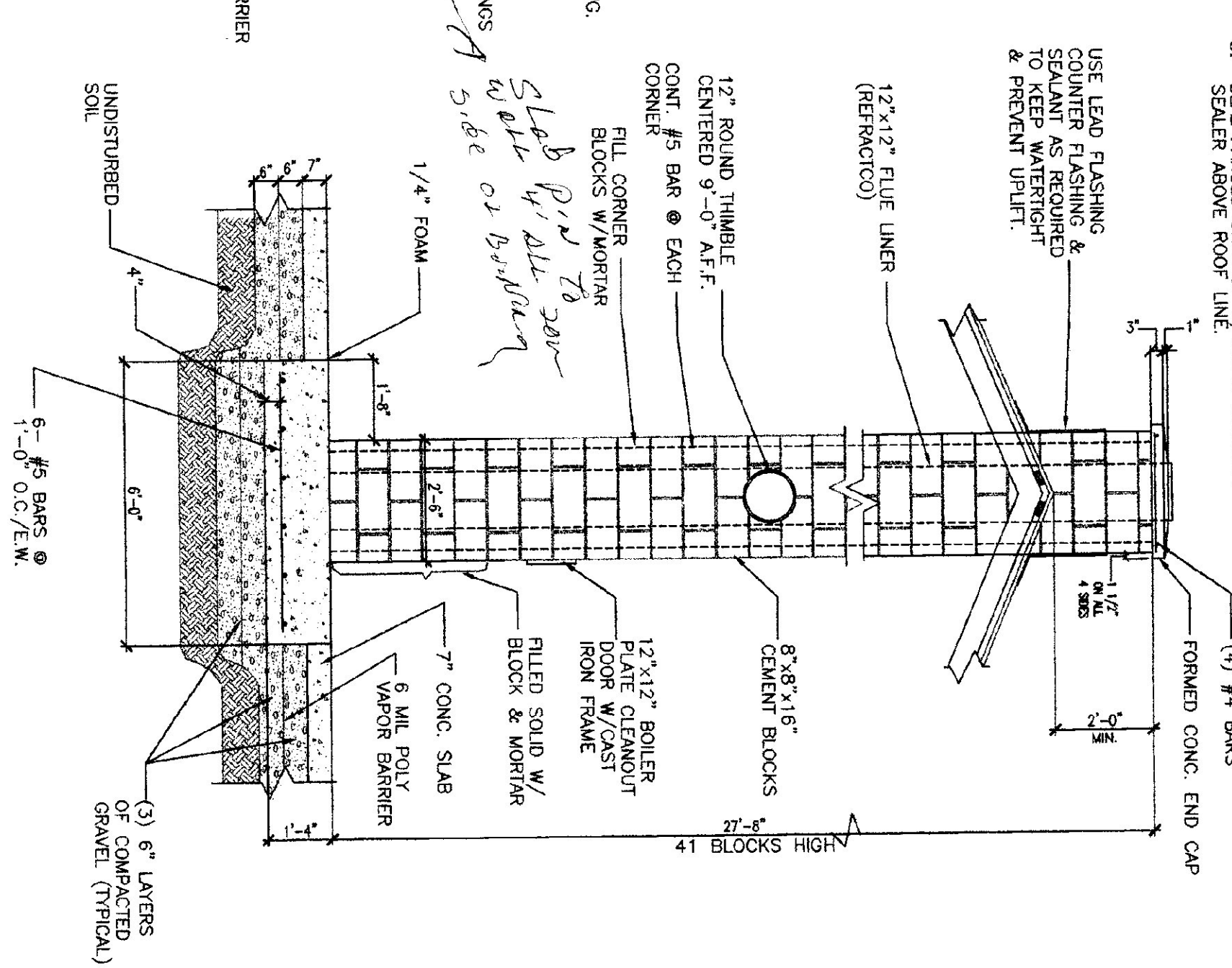
NOTE:
CONTRACTOR TO COORDINATE PLACEMENT OF HYDRAULIC PUMP INSULATION. SEE MECHANICAL DRAWINGS FOR HEAT PUMPING DETAILS. ALL HYDRAULIC PUMPING PIPING IS BELOW STEEL REINFORCEMENT AT ALL SAW JOINT LOCATIONS. PRIOR TO CONCRETE PLACEMENT, HYDRAULIC HEAT PUMPING PIPING IS TO BE PROTECTED AFTER INITIAL INSTALLATION AND PRIOR TO CONCRETE PLACEMENT, C.C. TO VERIFY PRESSURE AND SYSTEM INTEGRITY JUST PRIOR TO CONCRETE PLACEMENT.



FRONT ELEVATION
SCALE: 1/4" = 1'-0"

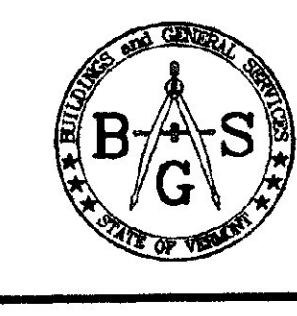


4 TYPICAL WALL/SLAB SECTION
SCALE: 1" = 1'-0"



5 CHIMNEY ELEVATION
SCALE: 3/8" = 1'-0"

- NOTE:
1. APPLY BONDING AGENT TO BLOCK CHIMNEY ABOVE ROOF LINE PRIOR TO PARGE COAT.
 2. PARGE CHIMNEY ABOVE ROOF LINE W/FIBERGLASS REINFORCED CEMENT PLASTER (CAP & SIDES INCLUDED).
 3. SET PARGE CHIMNEY W/CLEAR MASONRY SLEEPER ABOVE ROOF LINE.



REVISIONS

SCALE: AS NOTED
DATE: JULY 1999
DRAWN BY: B. MCAVOY
APPR. BY: *[Signature]*