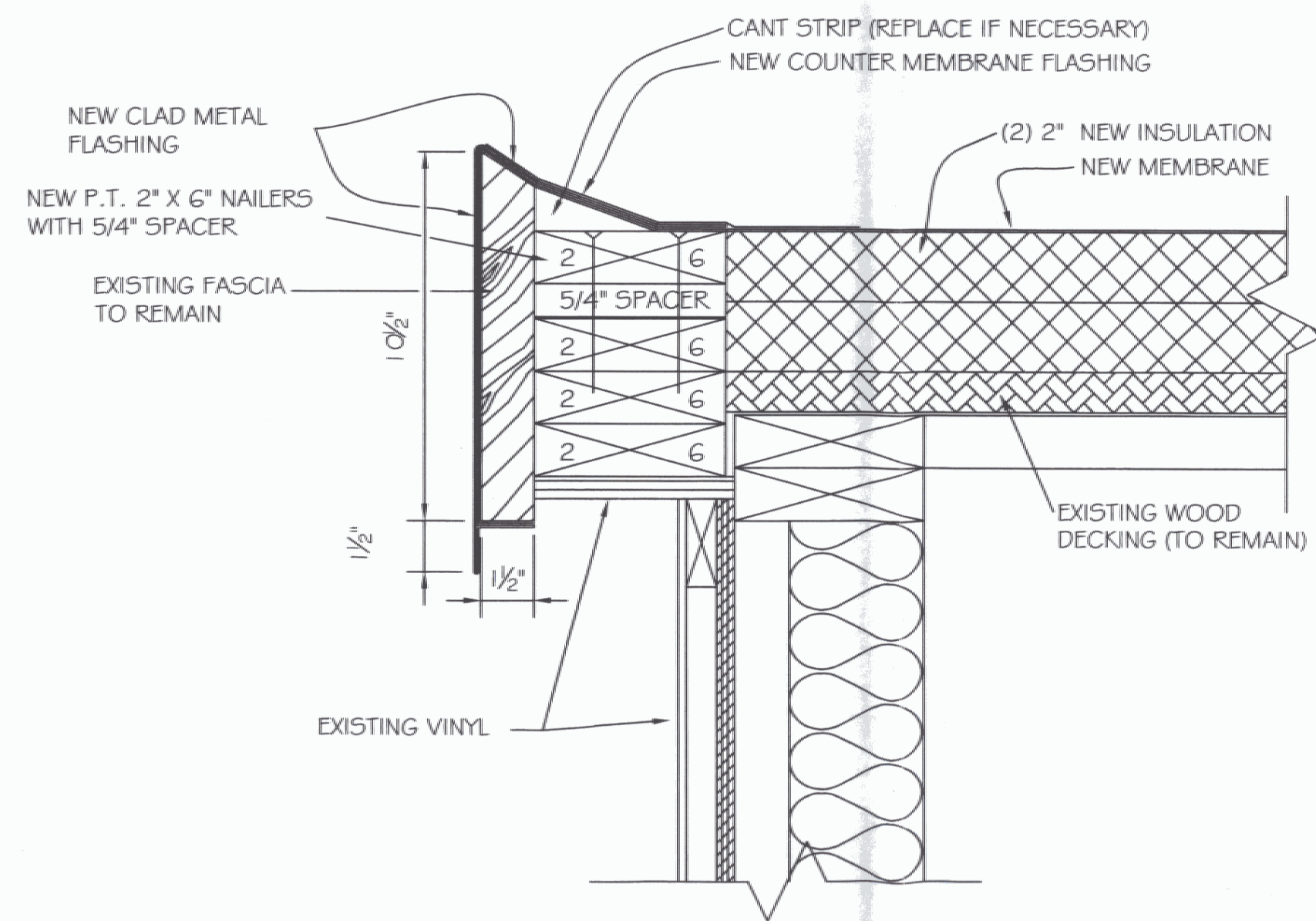




FRONT

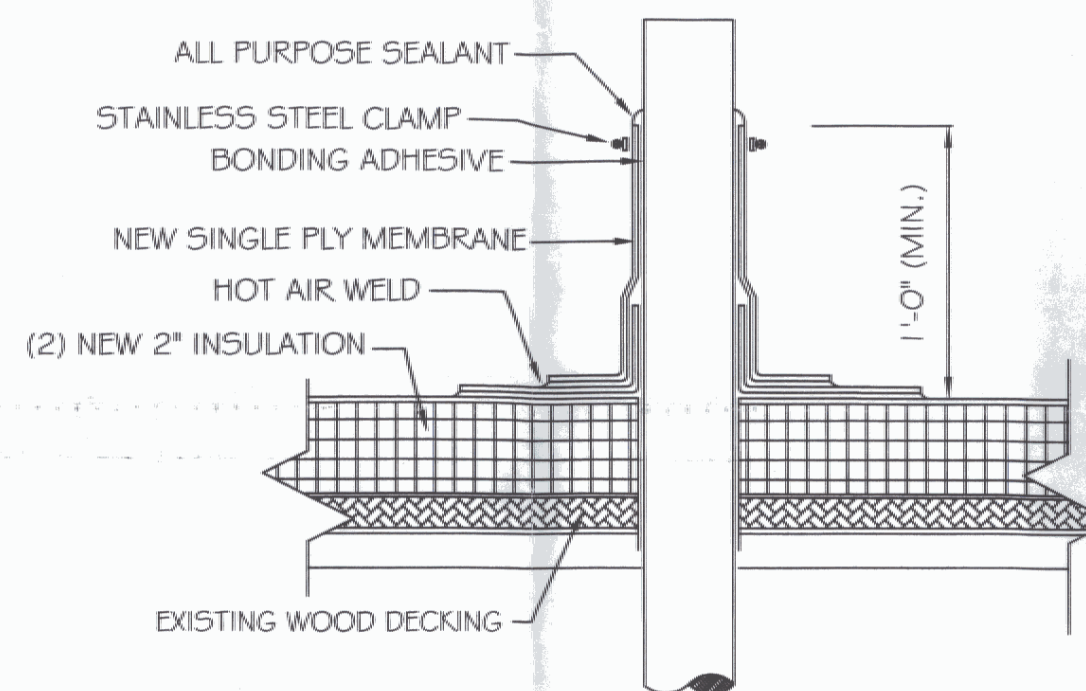
ROOF PLAN

SCALE: 1/8" = 1'-0"



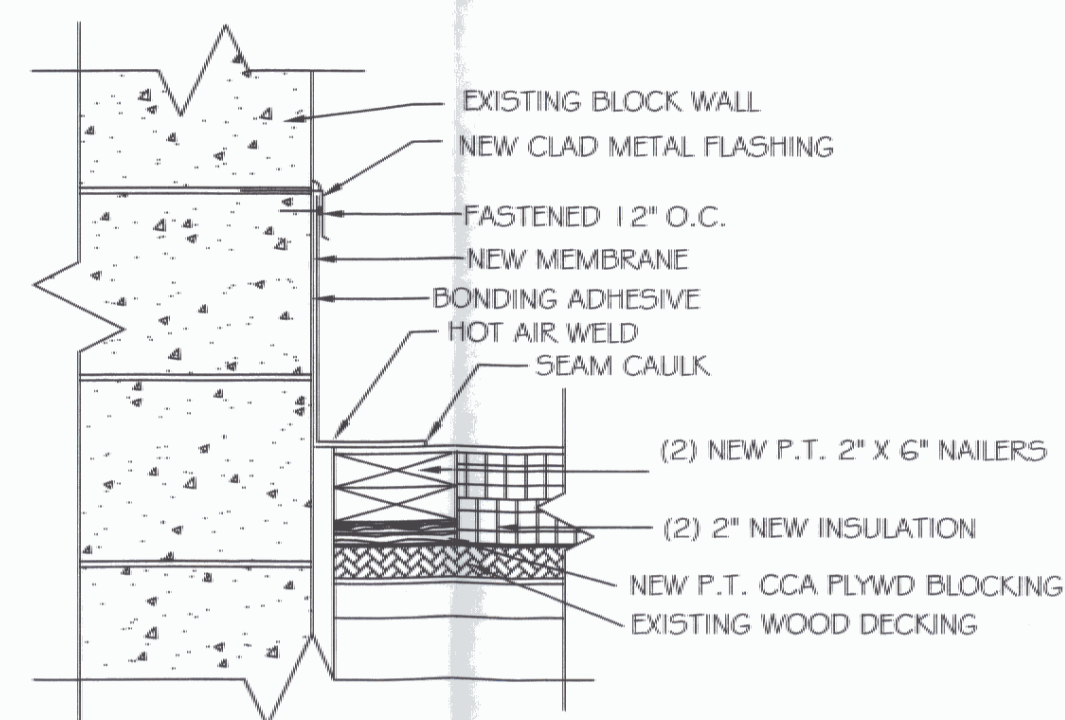
SECTION A-A

SCALE: 3" = 1'-0"



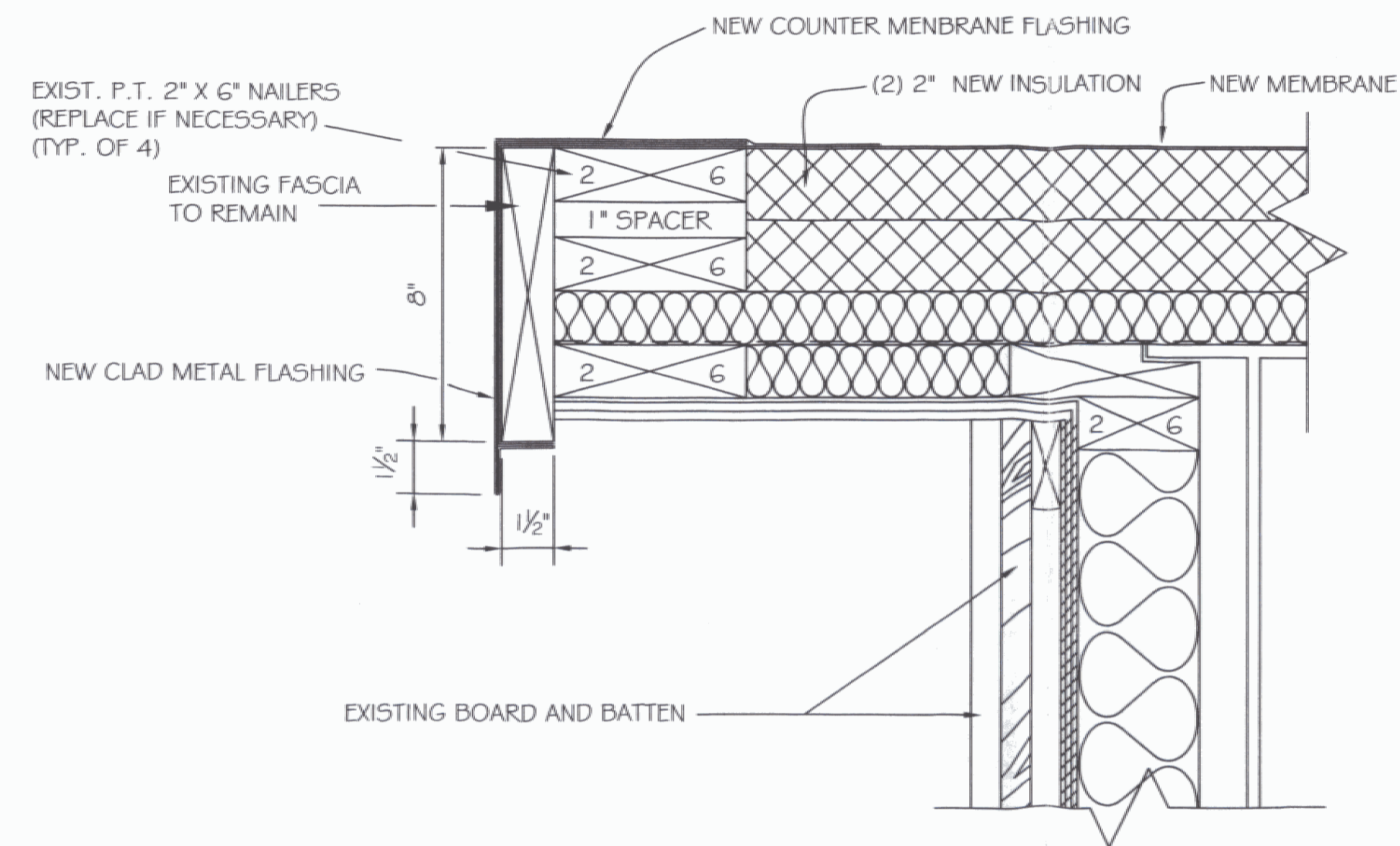
TYPICAL VENT DETAIL

SCALE: 1-1/2" = 1'-0"



CHIMNEY FLASHING DETAIL

SCALE: 1-1/2" = 1'-0"



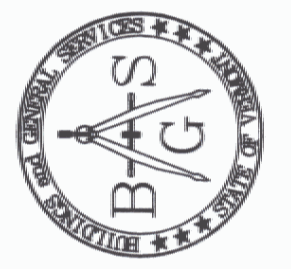
NEW SECTION B-B

SCALE: 3" = 1'-0"

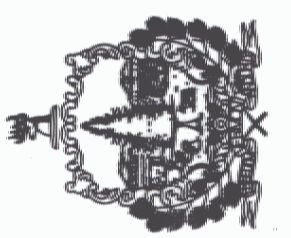
GENERAL NOTES:

- 1.) EXISTING MEMBRANE ROOFING AND FLASHING TO BE REMOVED AND DISPOSED OF. INSTALL NEW (2) 2" LAYERS OF POLYISOCYANURATE RIGID INSULATION. NEW .060 TPO MEMBRANE ROOFING SYSTEM WITH METAL FLASHING.
- 2.) ALL BLOCKING, CANT STRIPS, & LUMBER TO BE PRESSURE TREATED AND REPLACED AS REQUIRED. REPLACE EXIST. WOOD DECK AS NEEDED.
- 3.) DETAILS ARE EXAMPLES ONLY. ACTUAL INSTALLATION TO BE DONE IN ACCORDANCE WITH MANUFACTURERS RECOMMENDATIONS.
- 4.) ALL MATERIAL REMOVED SHALL BE PROPERLY AND LEGALLY DISPOSED OF.
- 5.) FIELD VERIFY ALL DIMENSIONS AND EXISTING CONDITIONS.
- 6.) NEW INSULATION TO BE LOOSE LAID TO COMPLY WITH ROOFING MANUF. RECOMMENDATIONS.
- 7.) NEW TPO .060 REINFORCED MEMBRANE TO BE MECHANICALLY FASTENED TO COMPLY WITH ROOFING MANUF. RECOMMENDATIONS.
- 8.) NEW TPO .060 REINFORCED MEMBRANE SHALL BE COLOR: WHITE
- 9.) CONTRACTOR TO PROVIDE A 15 YEAR TOTAL ROOFING SYSTEM WARRANTY INCLUDING: INSULATION, MEMBRANE, FLASHING, ADHESIVES, FASTENERS, ETC. WARRANTY TO BE PROVIDED BY PRIMARY MANUFACTURER.

SET # 3
DO NOT COPY



STATE OF VERMONT
Department of Buildings
and General Services
Agency of Administration
Montpelier, Vermont



AGENCY OF TRANSPORTATION
NO. MONTPELIER MAINTENANCE GARAGE
REROOF PLAN & DETAILS
VERMONT
NORTH MONTPELIER

REVISIONS

SCALE: AS SHOWN
DATE: DEC. 2006
DRAWN BY: B. MCAVOY
APPR. BY: R. BARRY

AOT GARAGE

NO. MONTPELIER
MAINT. GARAGE

REROOF DETAILS

R-1

1 OF 1