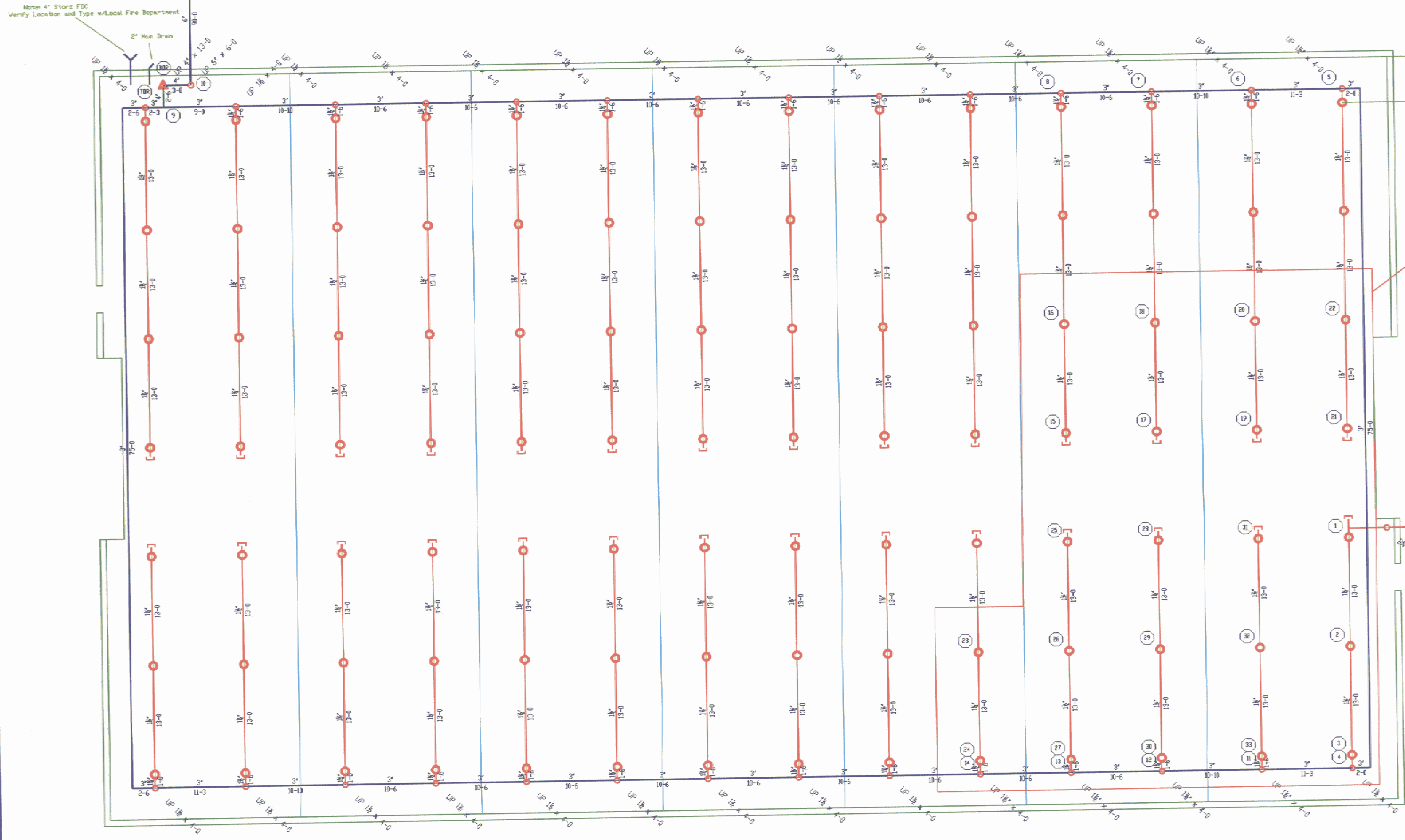
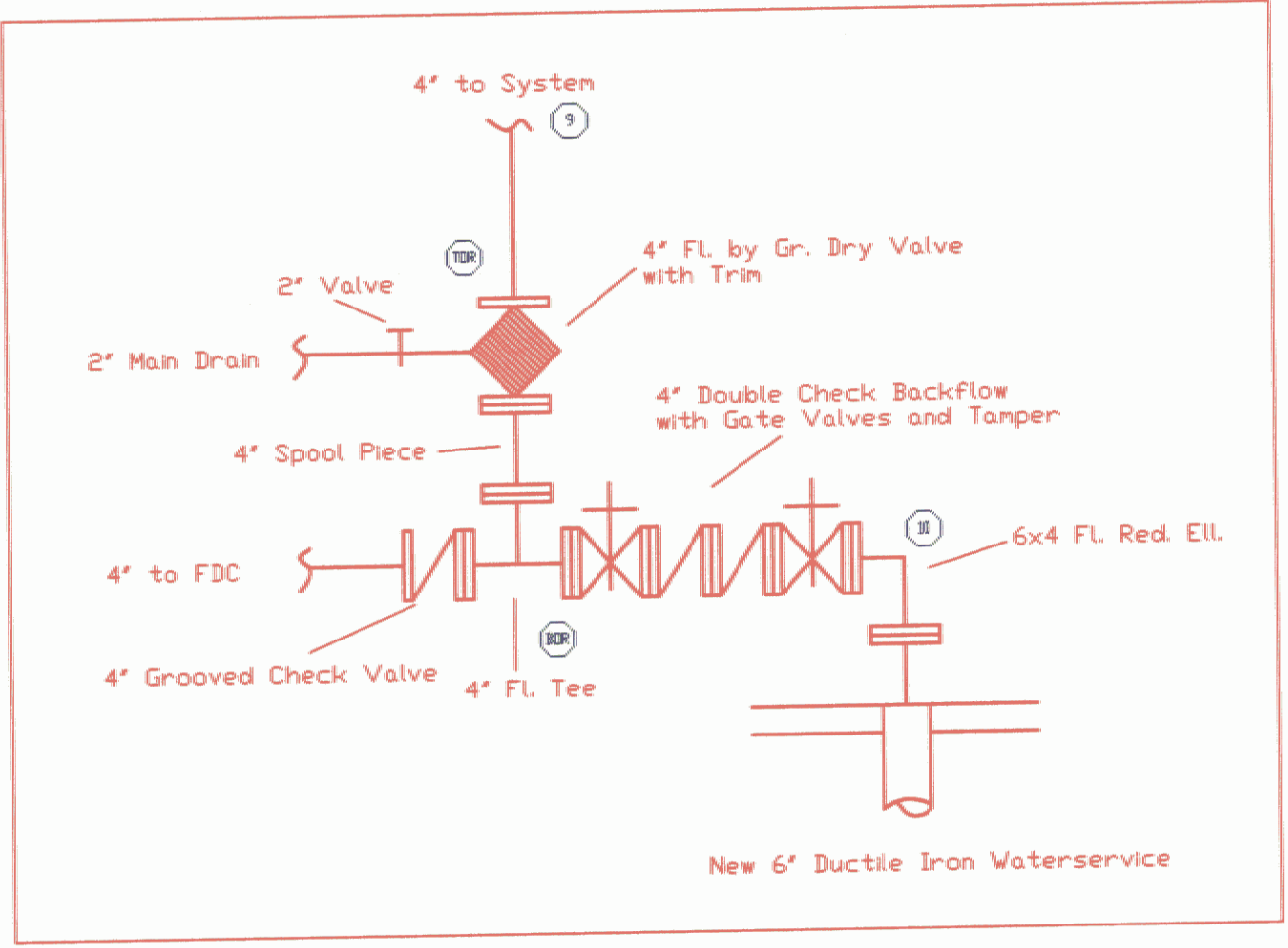
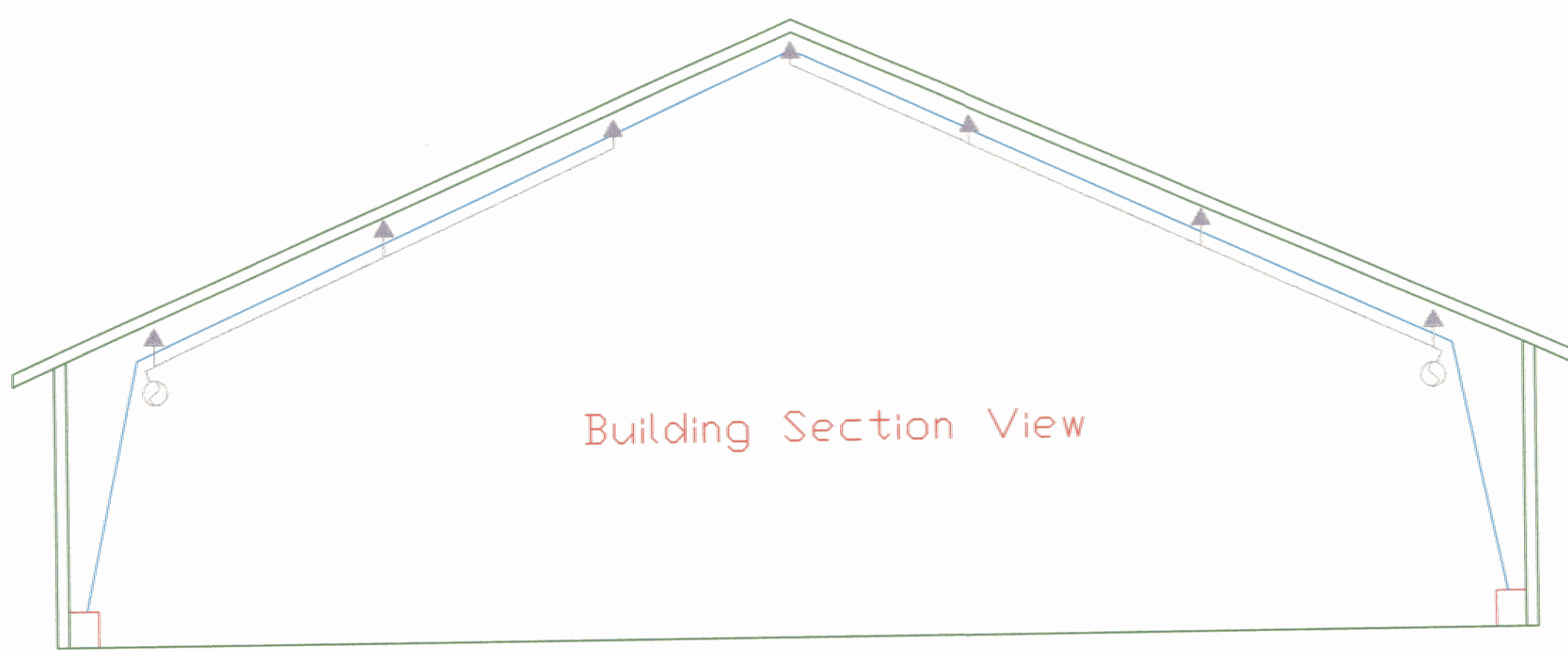


Site Plan  
Not to Scale

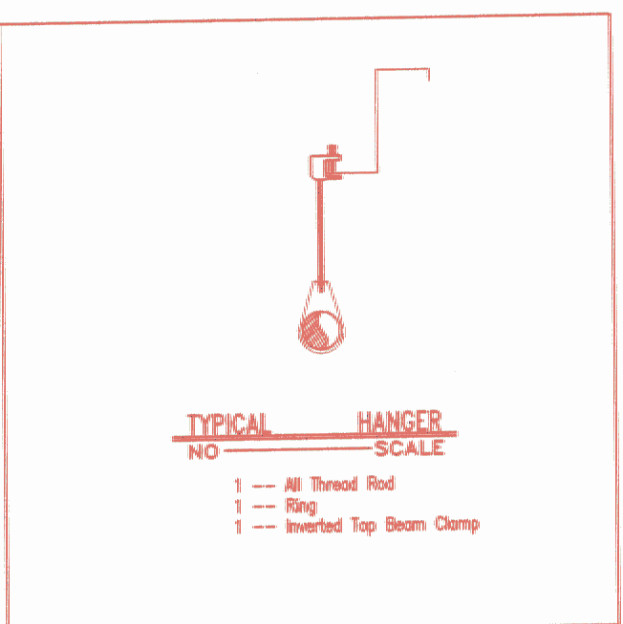
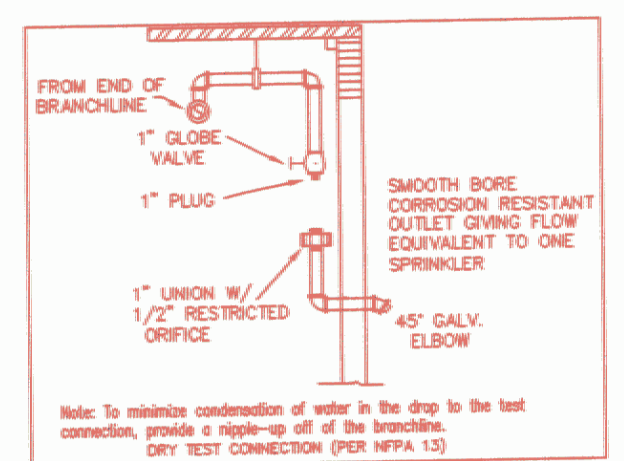


Building Floor Plan

Design Area No. 1 - OH II  
Density 0.2 Area 2535  
Flow 805 gpm @ 69 psi  
Includes 250 gpm Hose allowance

WATER SUPPLY  
Static = 185 psi  
Residual = 140 psi  
Flow = 1985 gpm

HEAD SCHEDULE  
● 98 (1/2"K=5.6) HEAD9  
Total Heads = 98



GENERAL NOTES

System Capacity of 320 gal.  
System Capacity under 500 gal.  
Quick Opening Device will not be required.  
All Mains and Branch lines to be Sched. 10 Black pipe.  
Air Supply shall have capacity of restoring normal air pressure within 30 minutes.  
System air maintenance device to be listed for fire protection.  
Heated and lighted sprinkler valve room to be provided by General Contractor.  
All equipment and material used to be listed for fire protection.  
All valves to be supervised.  
Dry valve to include alarm pressure switch and low pressure supervisory switch.  
System to be taken from 6' flange in building.

ALL REASONABLE EFFORTS HAVE BEEN EXERTED TO INDICATE THE EXISTING AND PROPOSED CONDITIONS OF THE PROJECT SITE. HOWEVER THE ACCURACY OF SUCH INFORMATION IS NOT GUARANTEED. PRIOR TO BIDDING AND TO INSTALLATION, THE INSTALLING CONTRACTOR SHALL EXAMINE ALL AREAS AND CONDITIONS THEREIN WHERE ANY PORTION OF THE WORK IS TO BE PERFORMED AND SHALL INFORM THE ENGINEER OF ANY DISCREPANCIES. IT IS THE INTENT OF THESE DOCUMENTS TO PROVIDE A COMPLETE SPRINKLER SYSTEM IN AREAS INDICATED. EXTRA MATERIALS MAY BE REQUIRED IN ADDITION TO THOSE INDICATED. ALL MATERIALS AND WORKMANSHIP SHALL BE IN ACCORDANCE TO THE APPLICABLE NFPA STANDARD. THE INSTALLING CONTRACTOR IS RESPONSIBLE TO VERIFY ALL ARCHITECTURAL CONDITIONS, ELEVATIONS AND DIMENSIONS TO INSURE THE SPRINKLER SYSTEM IS IN ACCORDANCE WITH THE APPROPRIATE STANDARD BEFORE FABRICATION AND INSTALLATION.



System Design NFPA 13 Ordinary Hazard Group II Combined 250 gal. Inside and Outside House Demand.	
TRI-STATE SPRINKLER, INC. ST. ALBANS, VERMONT 05478 (802) 524-0094	
Berlin Cold Storage Route 302 Berlin, VT	FIRE PROTECTION SPRINKLER PLAN
Drawn Marc Label	Date 10/04/05
Page 10f1	