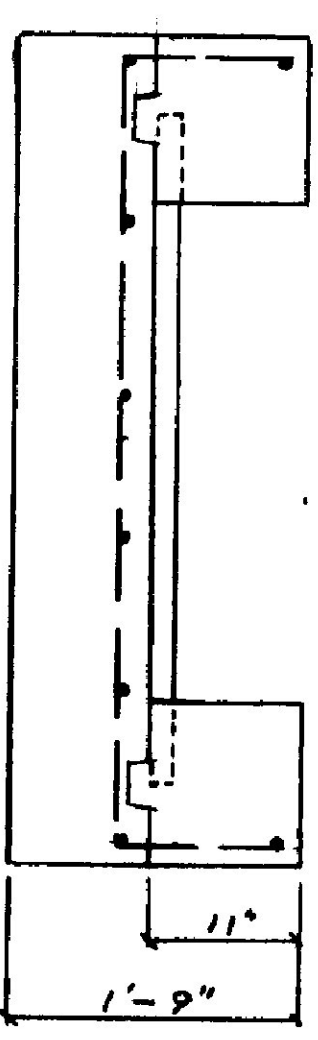
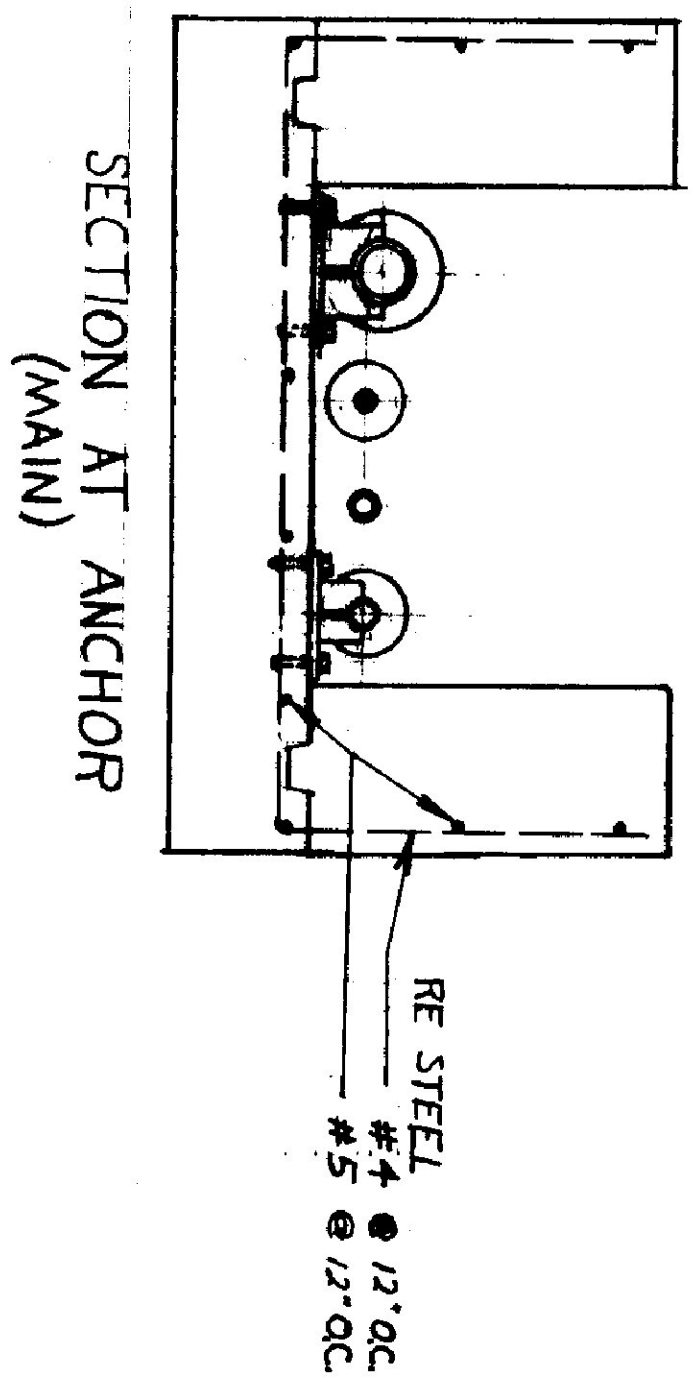


NOTE: ALL DIMENSIONS SAME AS ORIGINAL UNLESS OTHERWISE INDICATED

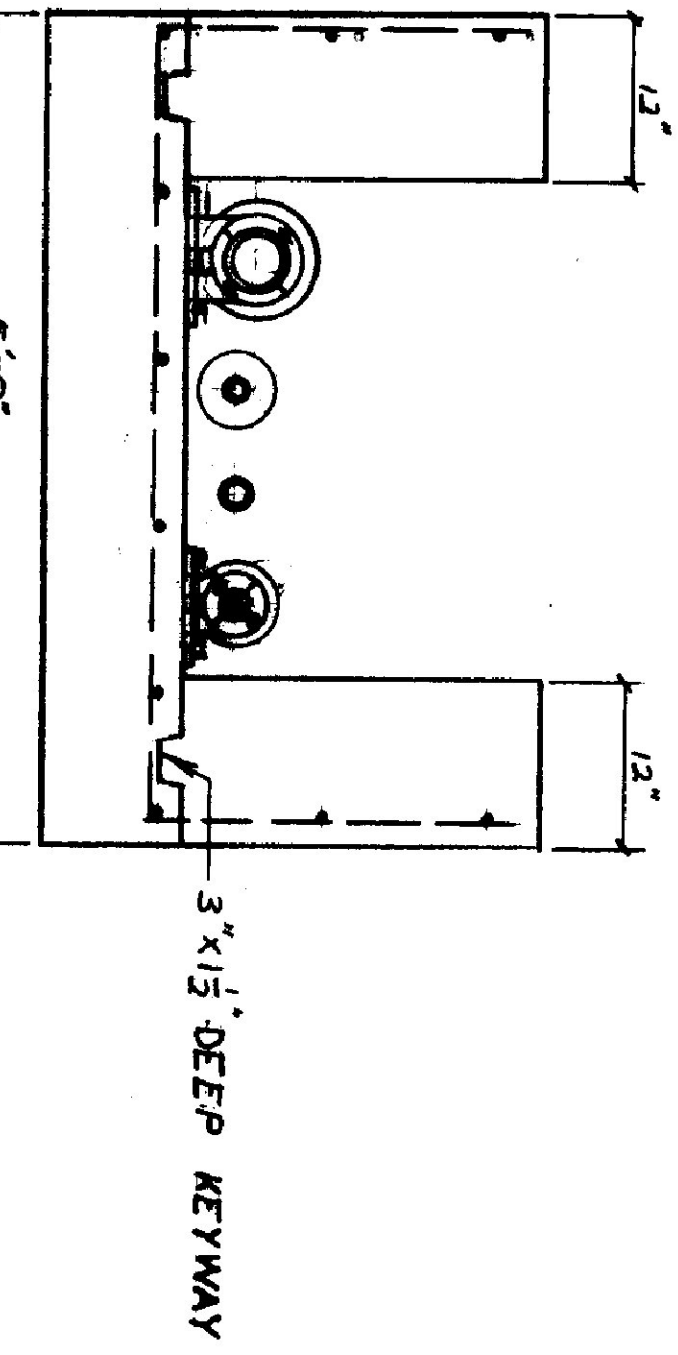


ALTERNATE BRANCH TRENCH DESIGN

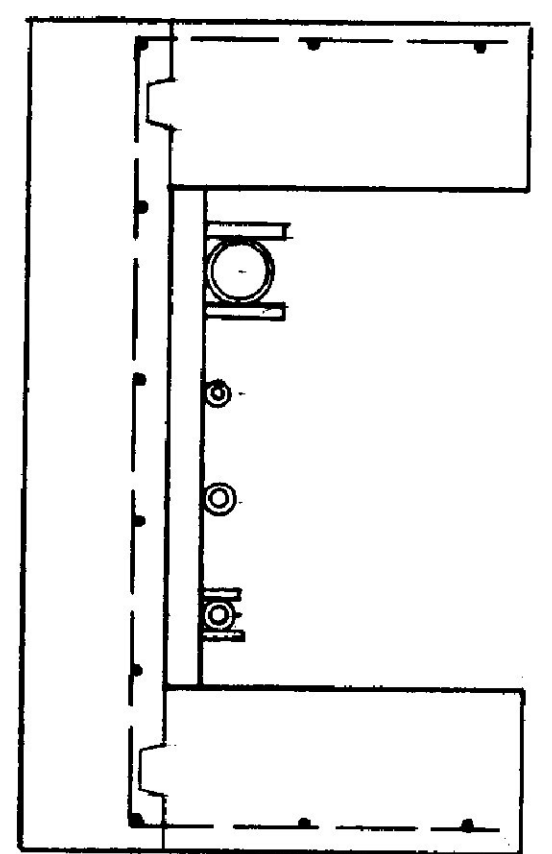
SCALE:  $\frac{3}{4}'' = 1'-0''$



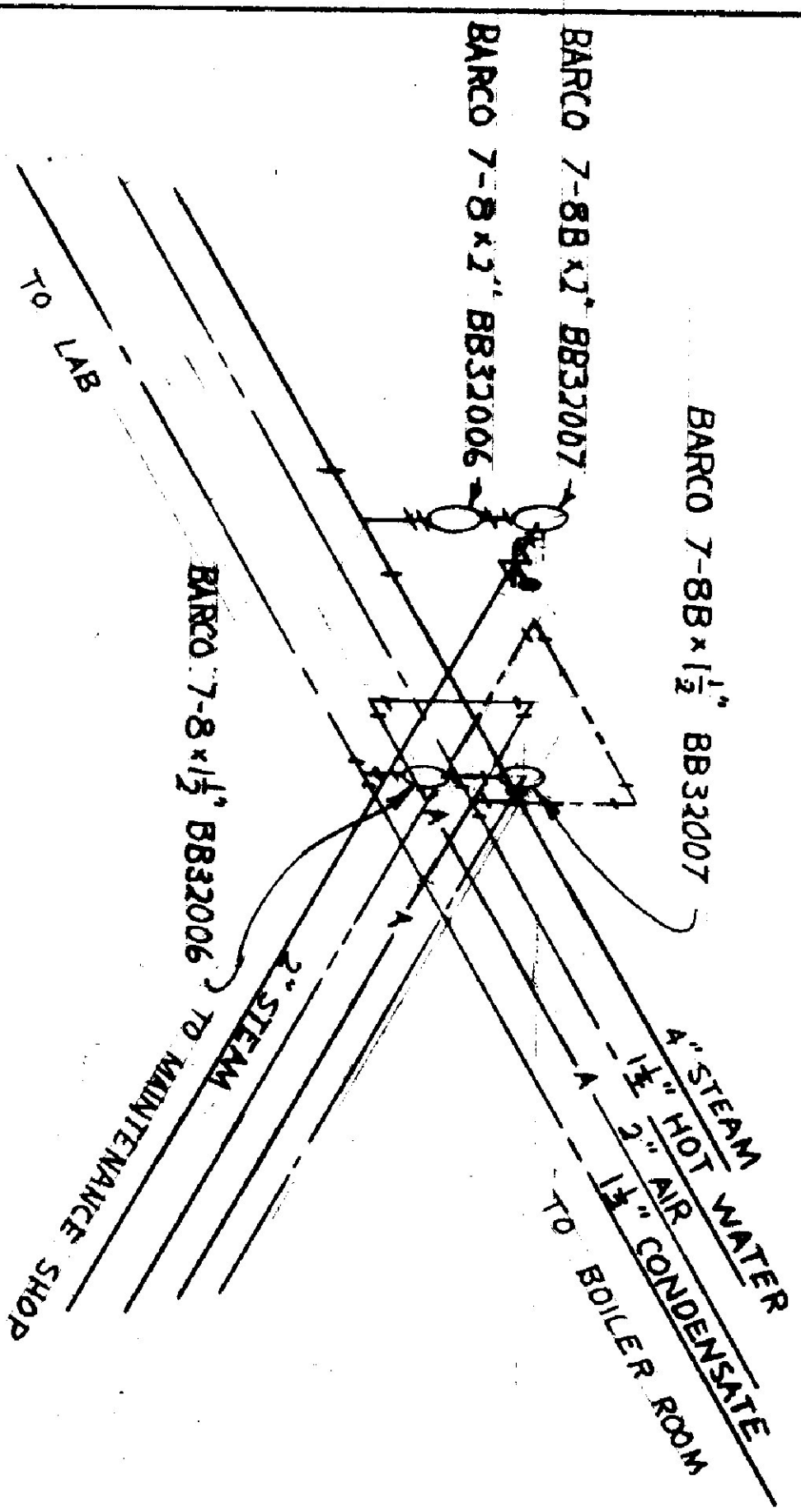
SECTION AT ANCHOR (MAIN)



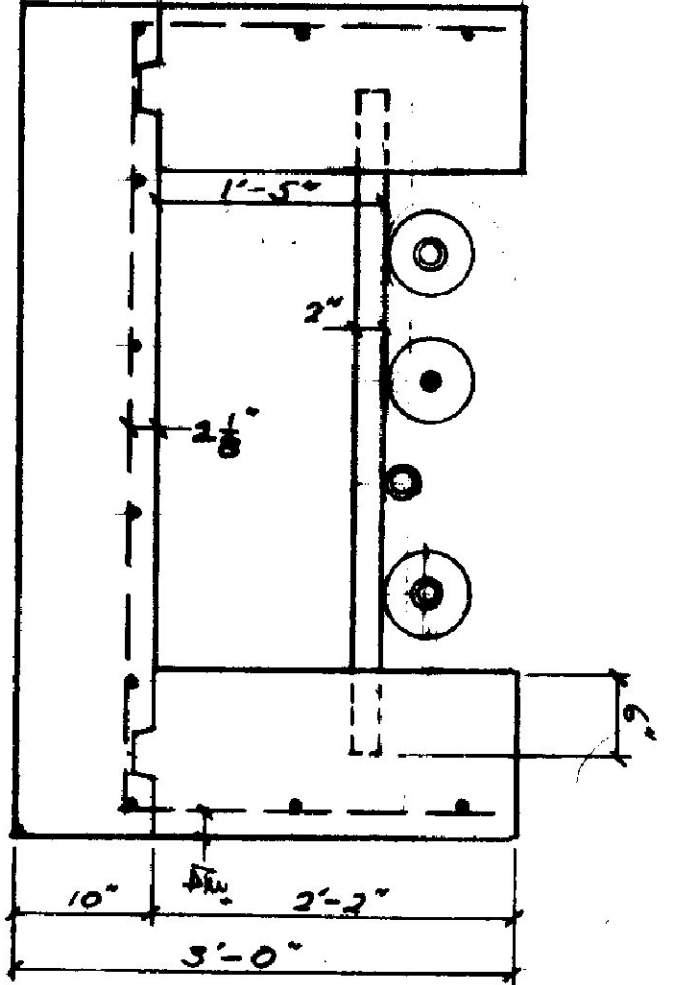
SECTION AT GUIDE (MAIN)



SECTION AT ALTERNATE GUIDE (MAIN)



ISOMETRIC AT BRANCH  
NO SCALE



SECTION AT SUPPORT (BRANCH)

STATE OF VERMONT DIVISION OF STATE BUILDINGS AGENCY OF ADMINISTRATION		MONTPELIER, VERMONT	
BERLIN, HIGHWAY GARAGE PIPING & TRENCH DETAILS			
DATE: 7-27-78	DESIGNED BY:	APPROVED BY:	DRAWING NO. 2
ISSUED BY: LLB			2 OF 2