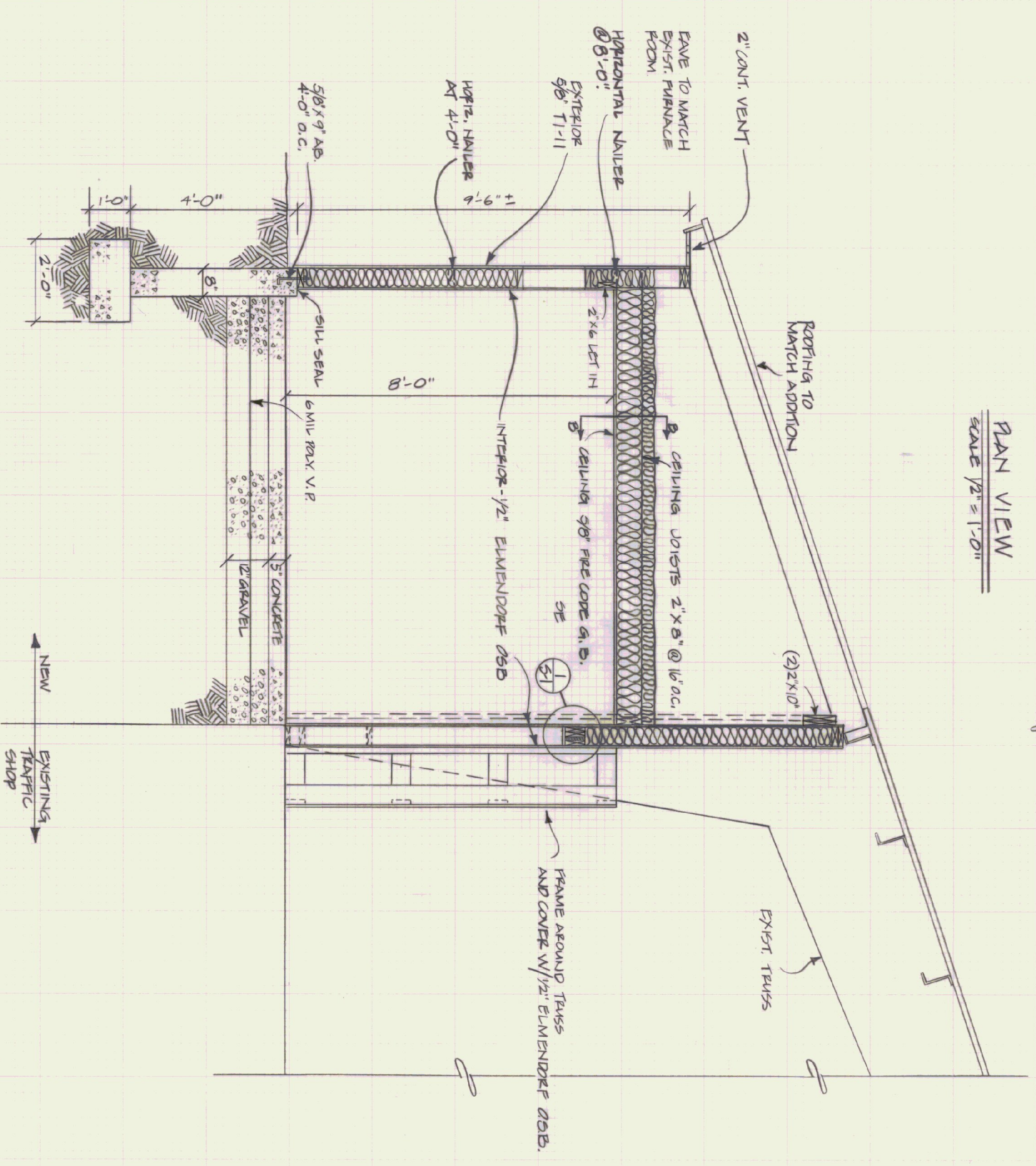


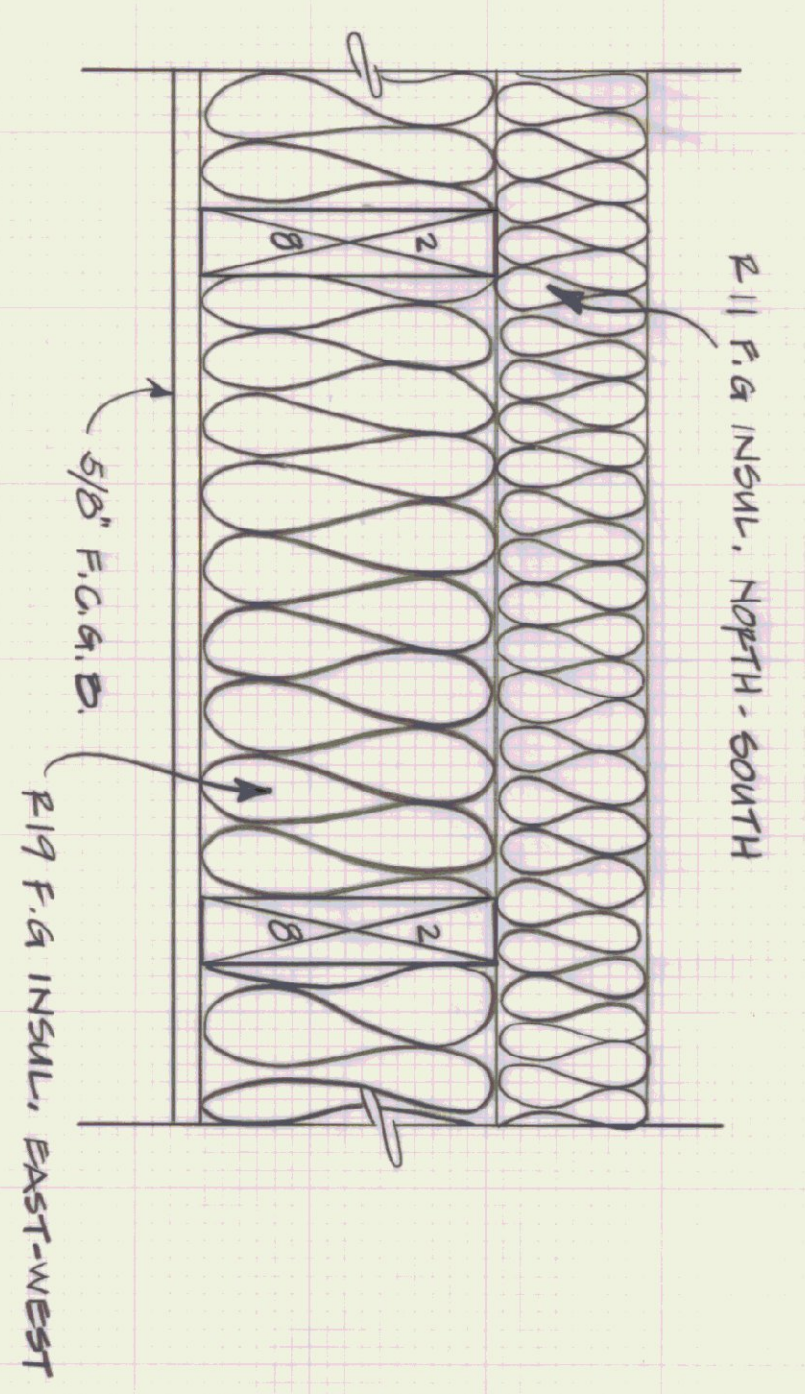
PLAN VIEW  
SCALE 1/2" = 1'-0"

PROVIDE R.O. DIMENSION @ 5'-9" FROM FLOOR FOR LAMBER & MOTOR OPERATED DAMPER (BY OTHERS)

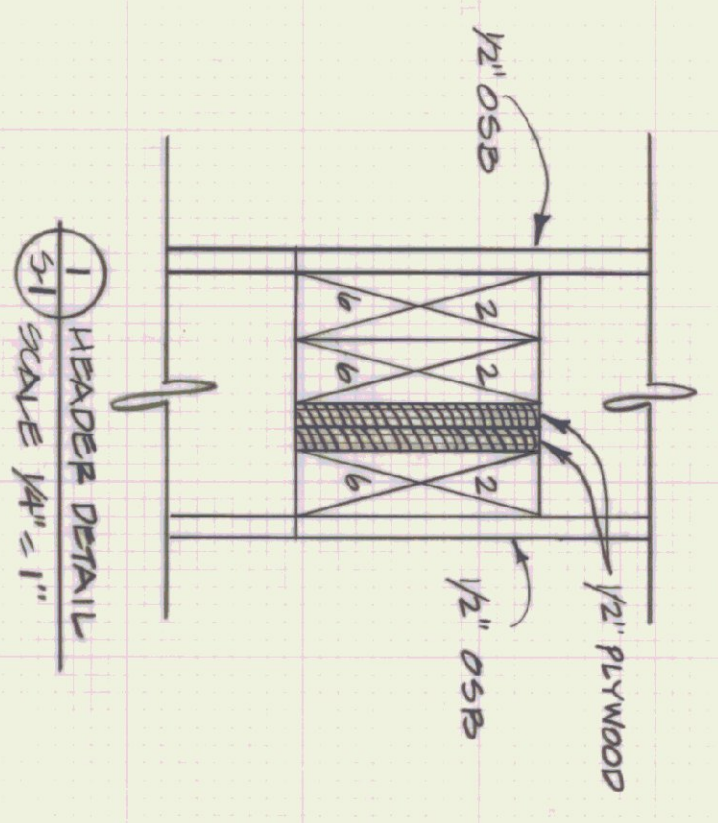


SECTION A-A  
SCALE 1/2" = 1'-0"

- NOTES:
1. ALL FRAMING LUMBER 2" X 6" @ 16" O.C. UNLESS OTHERWISE INDICATED. LUMBER TO BE CONSTRUCTION GRADE, S4S, 75% GRADE I, 25% GRADE II.
  2. ALL TRIMMING LUMBER SHALL BE NO. 2 GRADE PINE, S42, MAXIMUM 19% MOISTURE CONTENT.
  3. PARE EDGE OF ROOF WILL HAVE NO OVERHANG AND BE TRIMMED TO MATCH PURNACE FROM ADDITION.
  4. PROVIDE PERIMETER FOUNDATION SILL SEALER.
  5. ELEVATION OF NEW CONCRETE FLOOR TO MATCH THAT OF EXISTING SLAB.
  6. R-19 FIBERGLAS INSULATION IN WALLS, R-19 FIBERGLAS IN CEILING WITH A SECOND LAYER OF S11 ON TOP AND PERPENDICULAR TO THE FIRST.
  7. ALL ELECTRICAL OTHER THAN RELOCATIONS WILL BE SURFACE WIRED AND DONE BY OTHERS.
  8. INSTALL HORIZONTAL NAULERS IN ALL WALLS @ 4'-0" & 8'-0"
  9. HEADER OVER DOOR TO BE 3, 2" X 6" + 2, 1/2" PLYWOOD.
  10. INSTALL 2" CONTINUOUS VENT STRIP IN EAVE.
  11. 29 GAUGE GALVANIZED METAL ROOFING TO MATCH NORTH ADDITION.



CEILING SECTION B-B  
SCALE 1/4" = 1"



1-1 HEADER DETAIL  
SCALE 1/4" = 1"



STATE OF VERMONT DEPARTMENT OF STATE BUILDINGS AGENCY OF ADMINISTRATION MONTPELIER, VERMONT		AGENCY OF TRANSPORTATION TRAFFIC SHOP ADDITION	
DATE 6/25/05	SCALE AS NOTED	REVISIONS	VERMONT DWG. NO. S-1
DRAWN BY A. PAULIN	APPROVED BY F.P.		1 OF 1