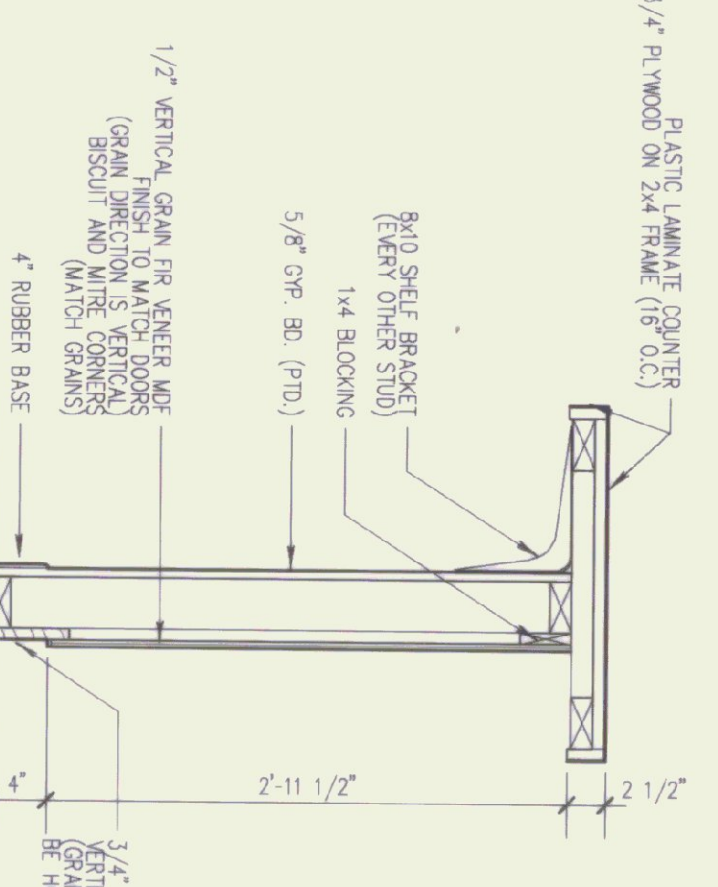
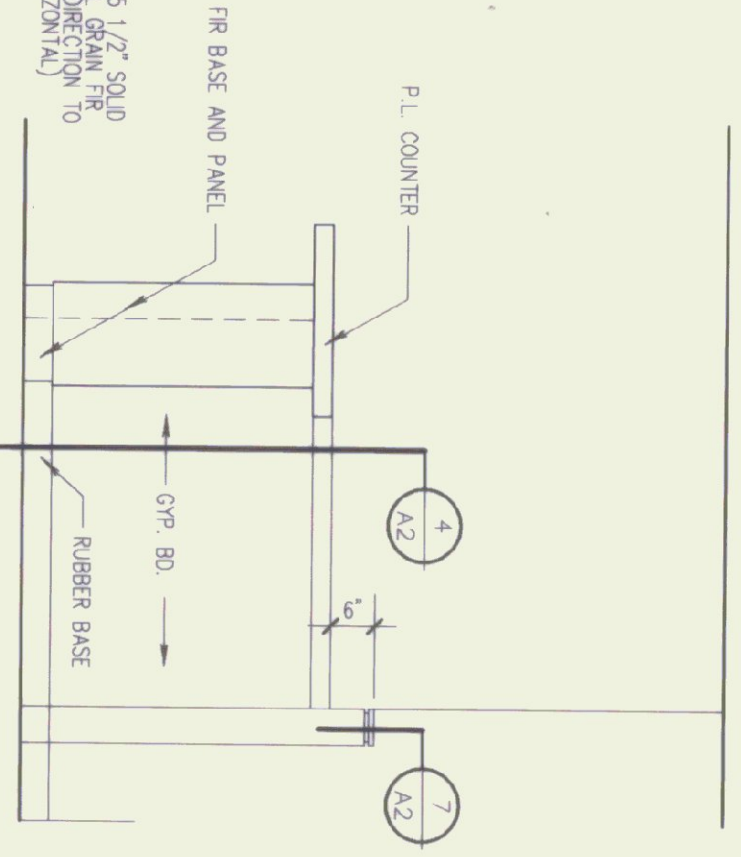


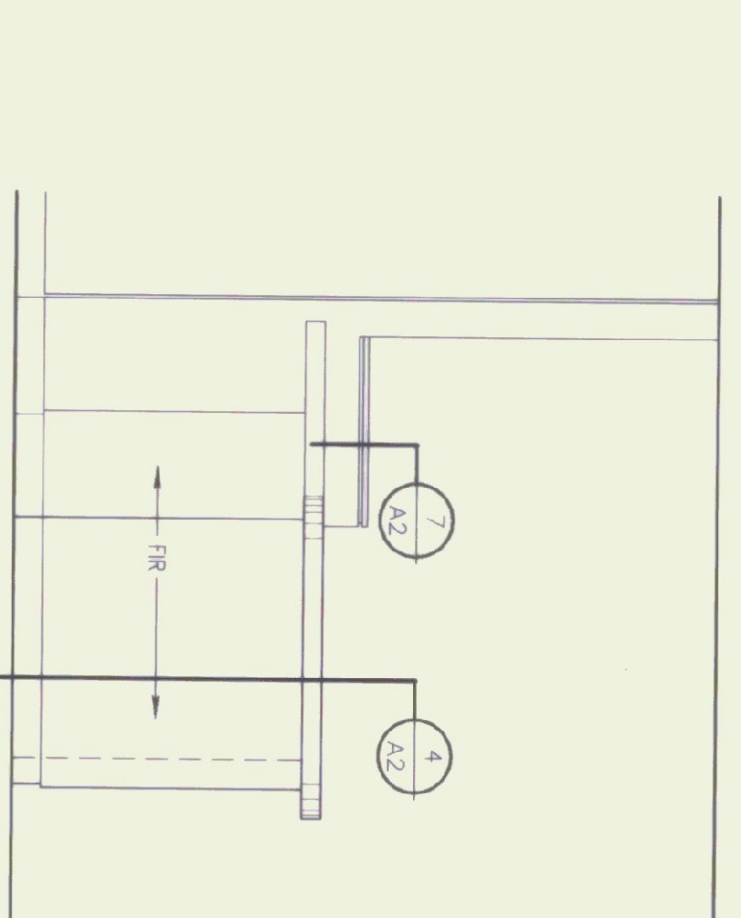
3 RECEPTION DESK LAYOUT  
1/2"=1'-0"



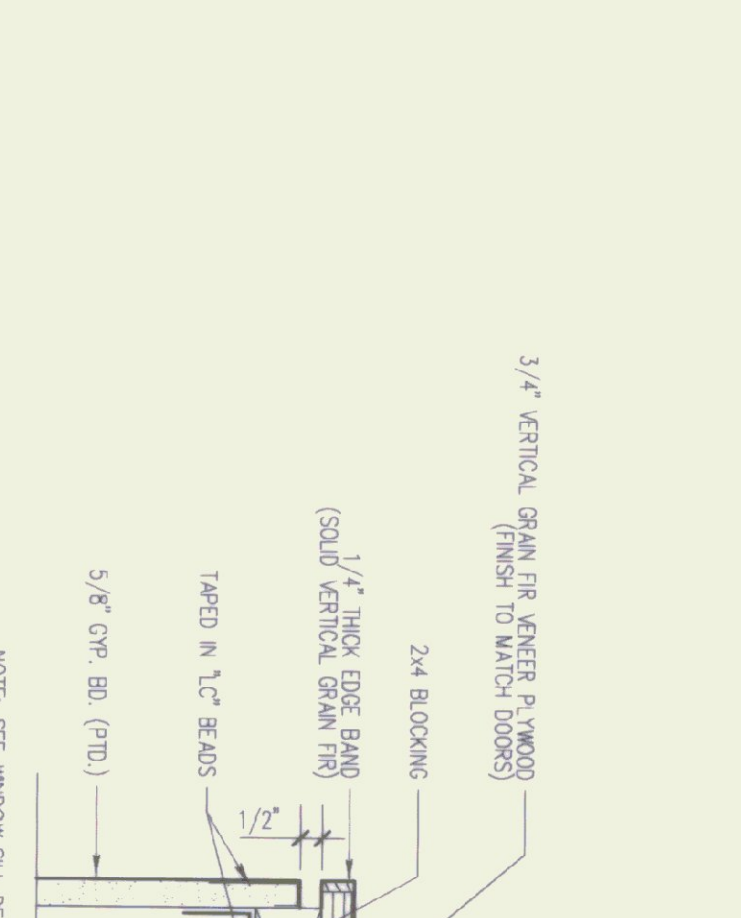
4 RECEPTION DESK DETAIL  
1/2"=1'-0"



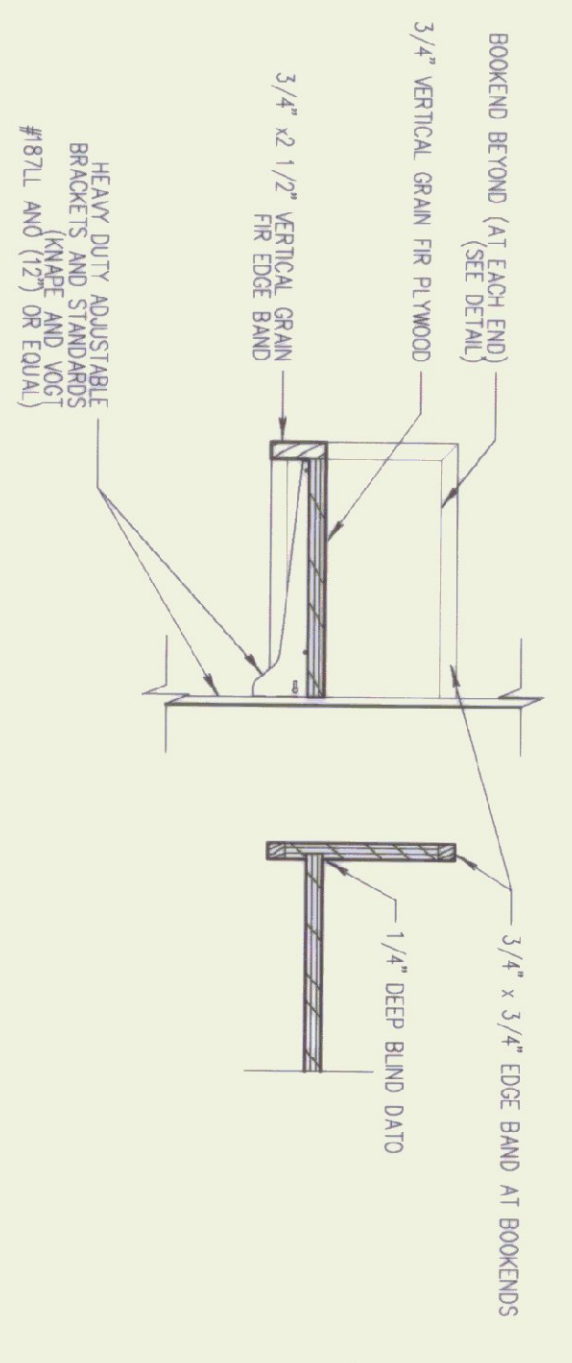
5 RECEPTION DESK ELEVATION  
1/2"=1'-0"



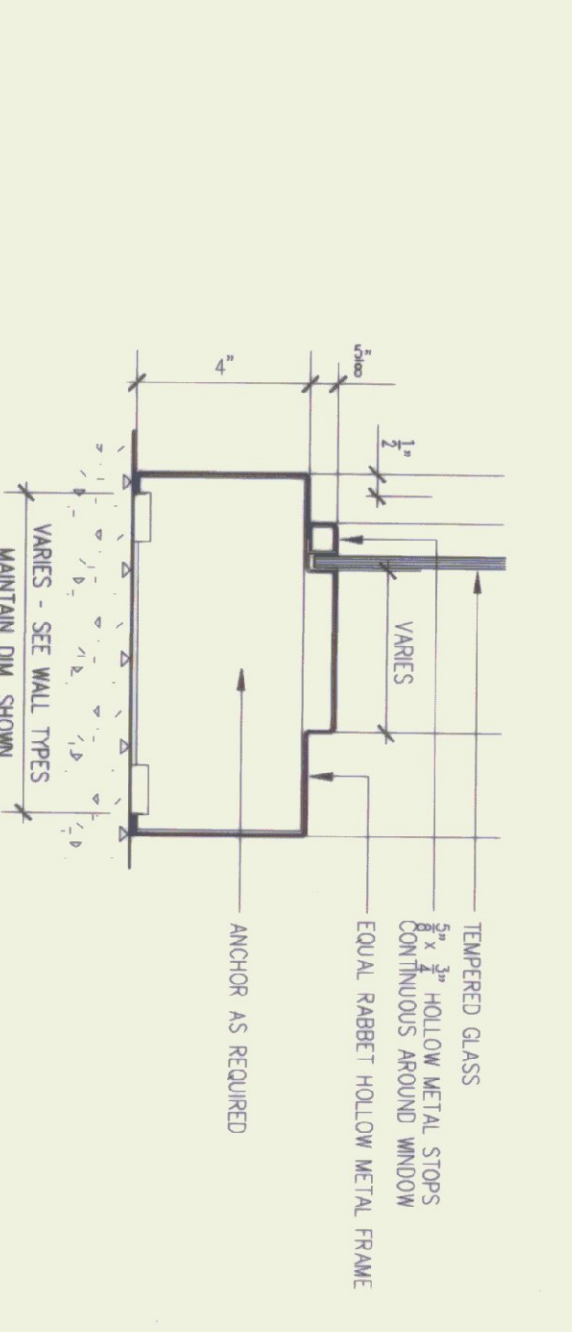
6 RECEPTION DESK ELEVATION  
1/2"=1'-0"



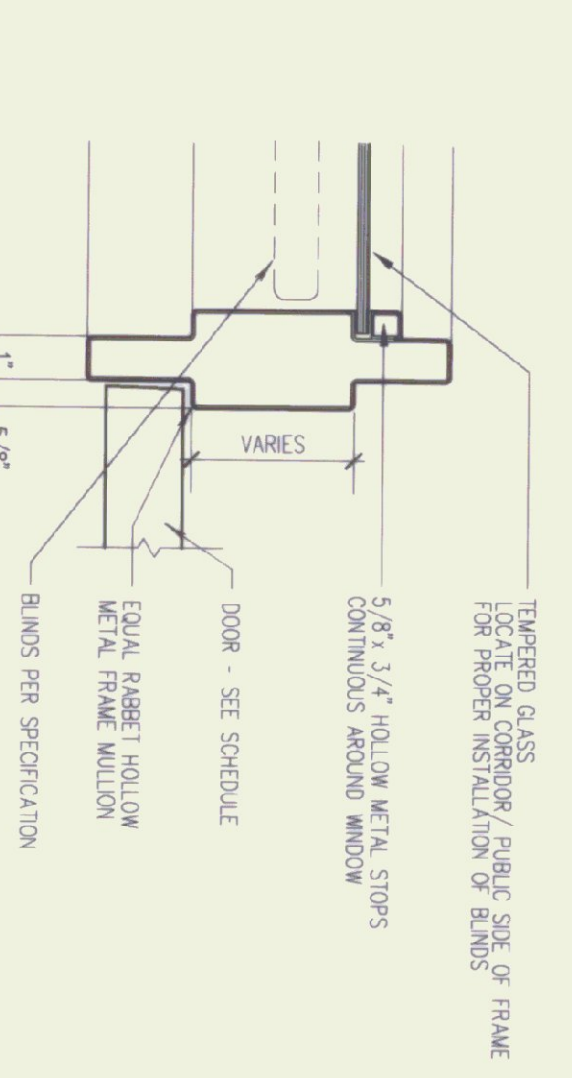
7 LOW WALL DETAIL  
3/8"=1'-0"



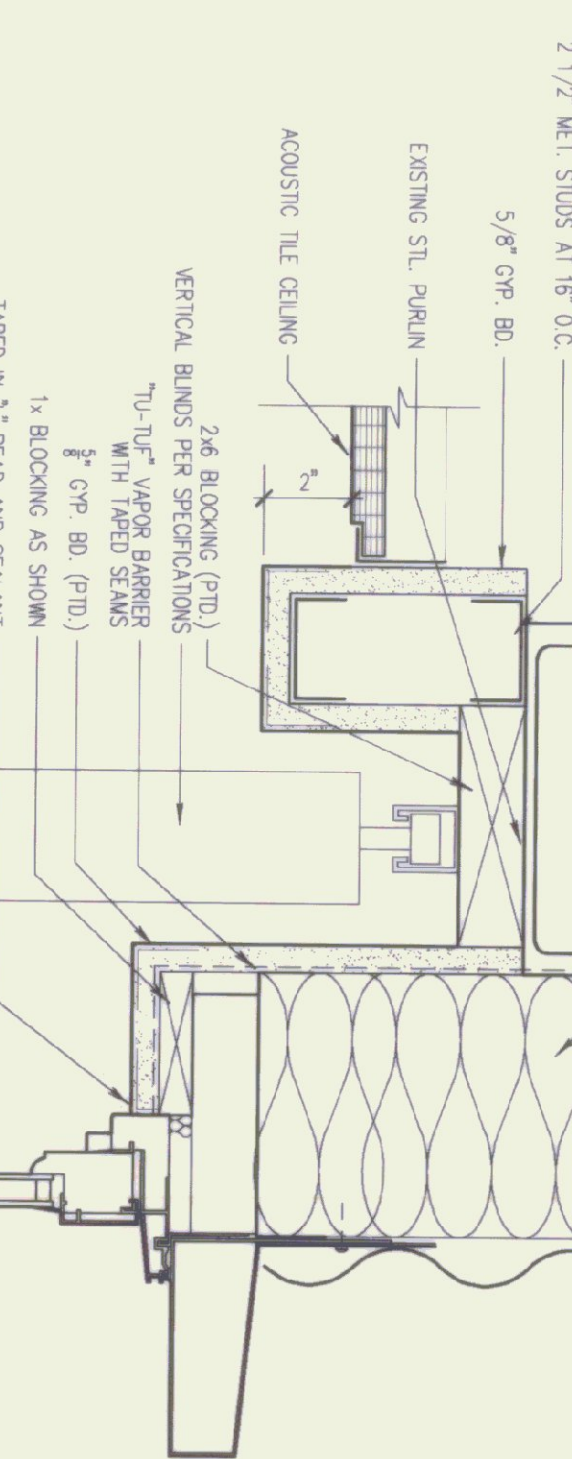
8 DETAIL OF OFFICE SHELVES  
1 1/2"=1'-0"



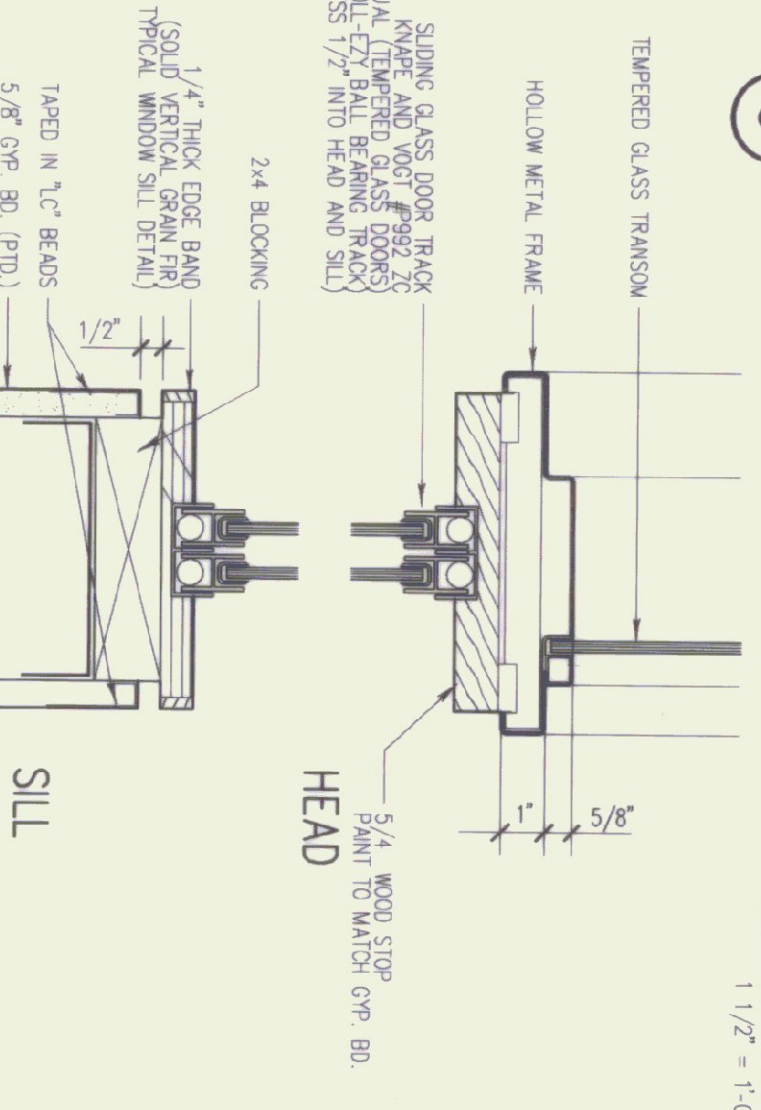
9 TYPICAL SIDELIGHT SILL  
3/8"=1'-0"



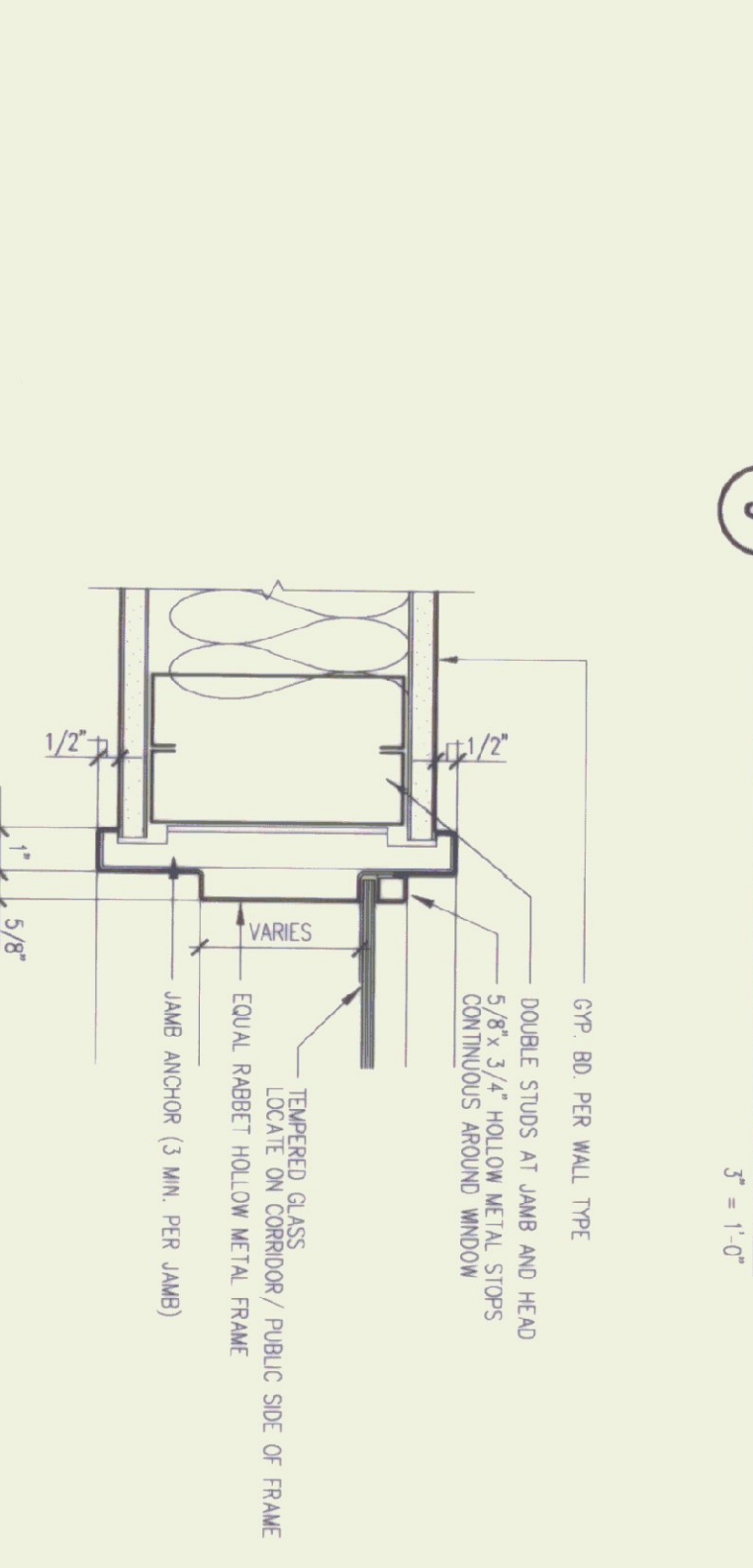
10 TYPICAL SIDELIGHT AT JAMB  
3/8"=1'-0"



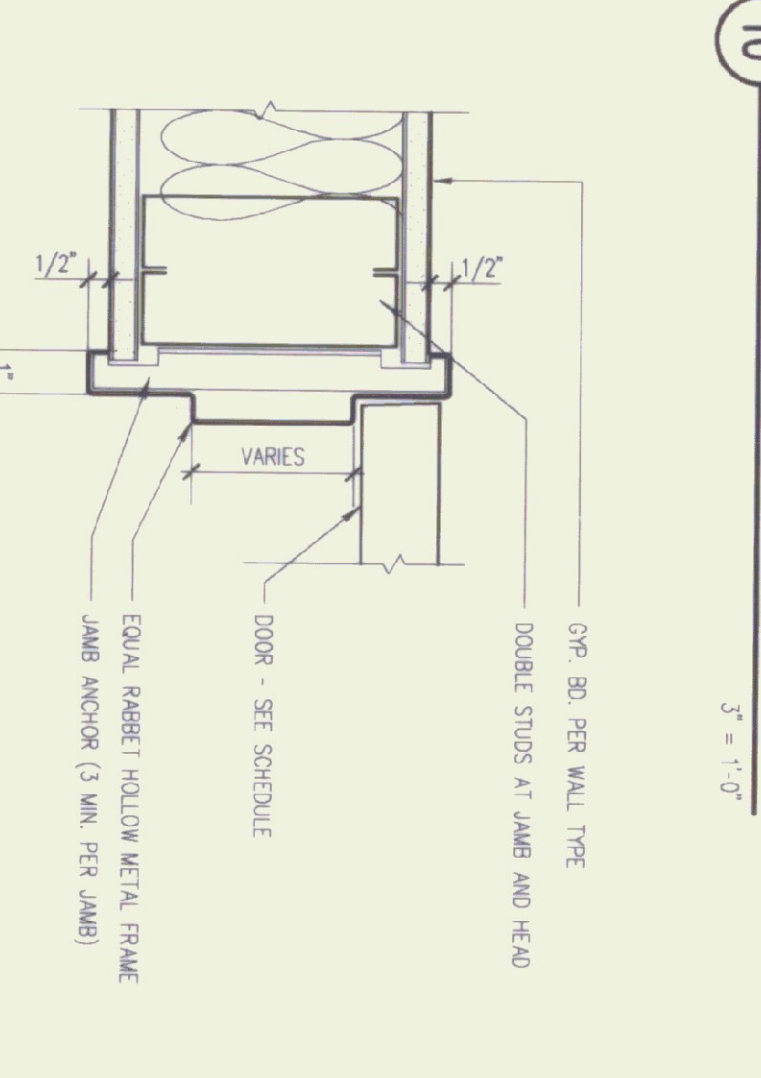
11 TYP. SECTION AT WINDOW HEAD  
3/8"=1'-0"



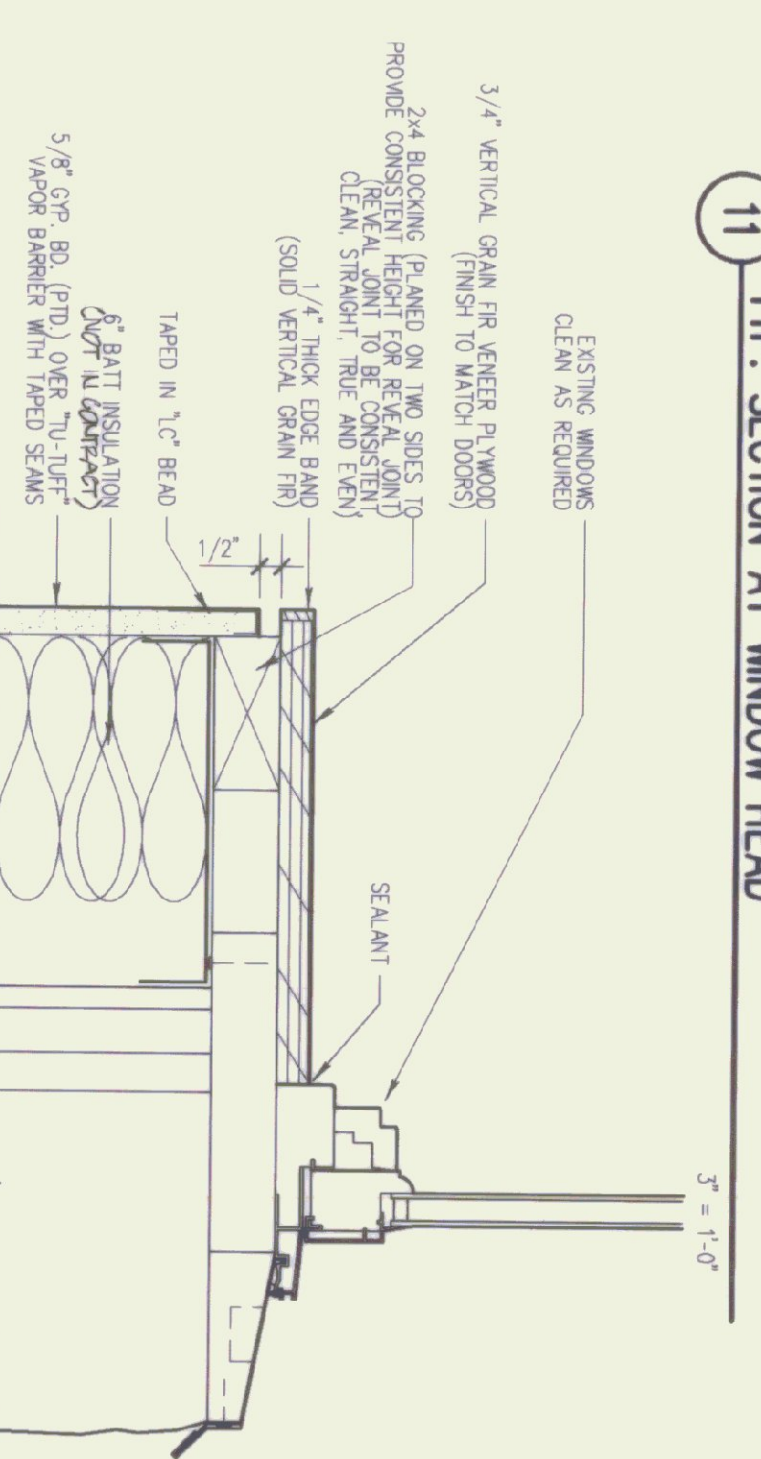
12 SLIDING WINDOW DETAIL  
3/8"=1'-0"



13 TYPICAL SIDELIGHT JAMB/HEAD  
3/8"=1'-0"



14 TYPICAL INT. DOOR HEAD/JAMB  
3/8"=1'-0"



15 TYP. SECTION AT WINDOW SILL  
3/8"=1'-0"