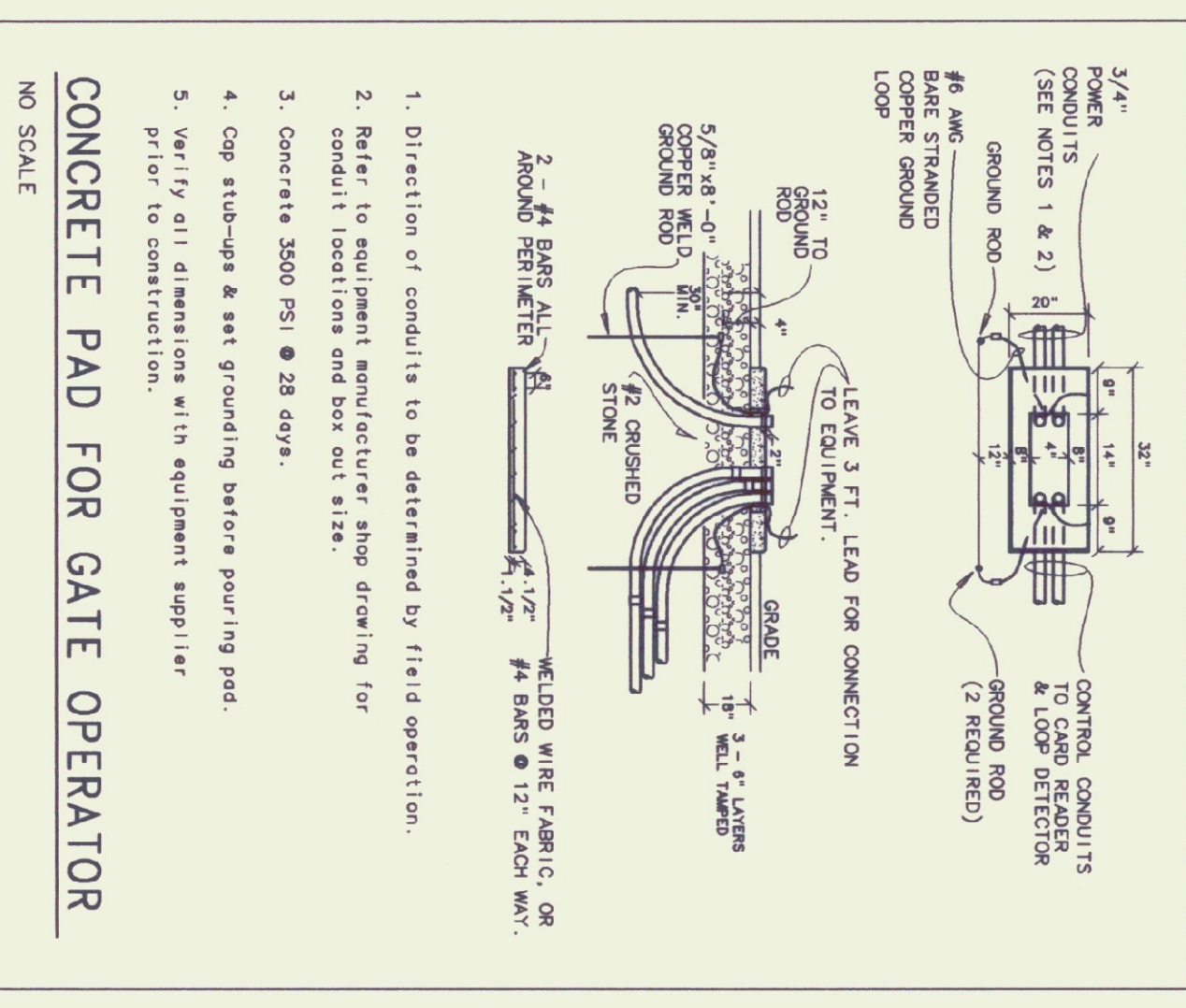
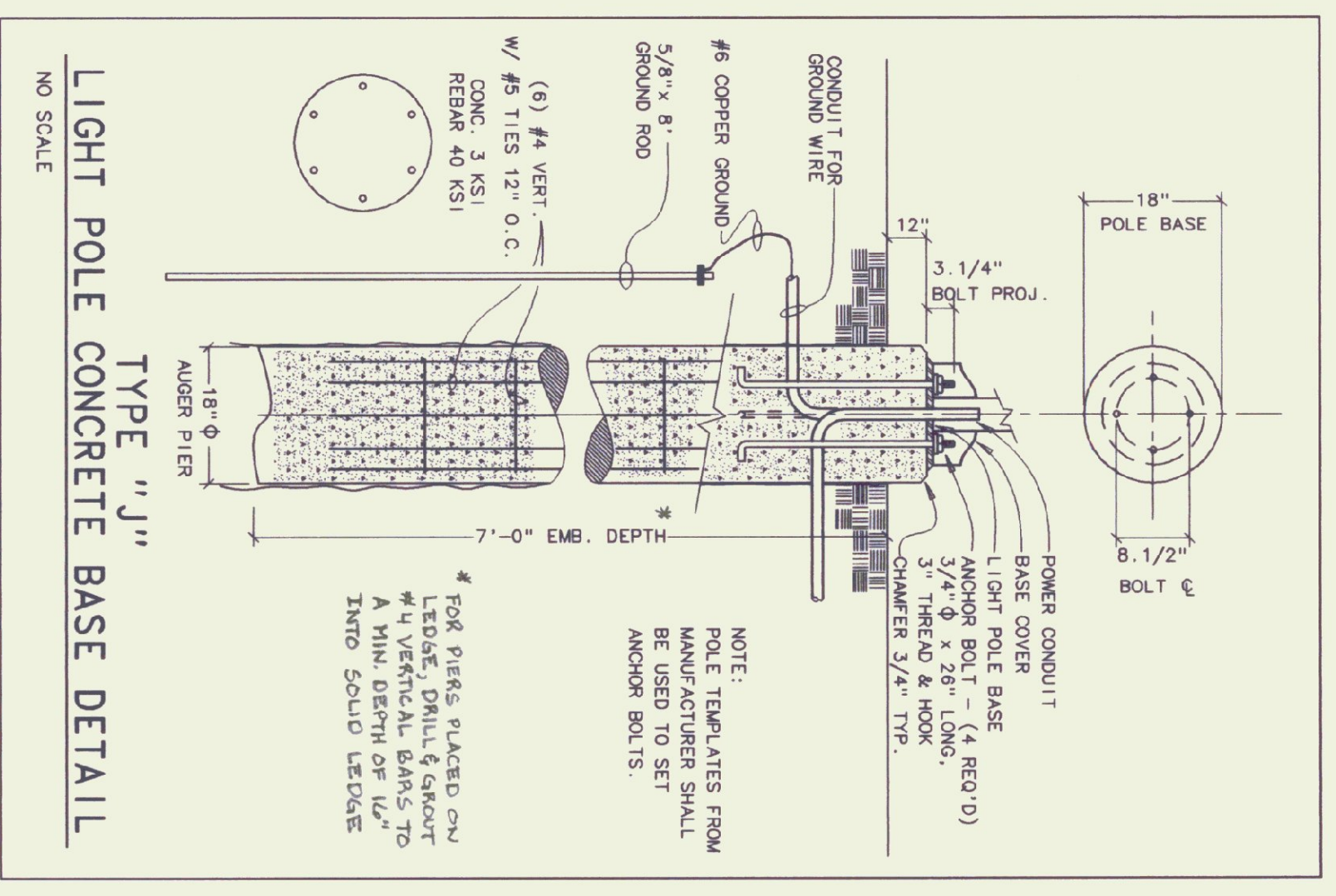
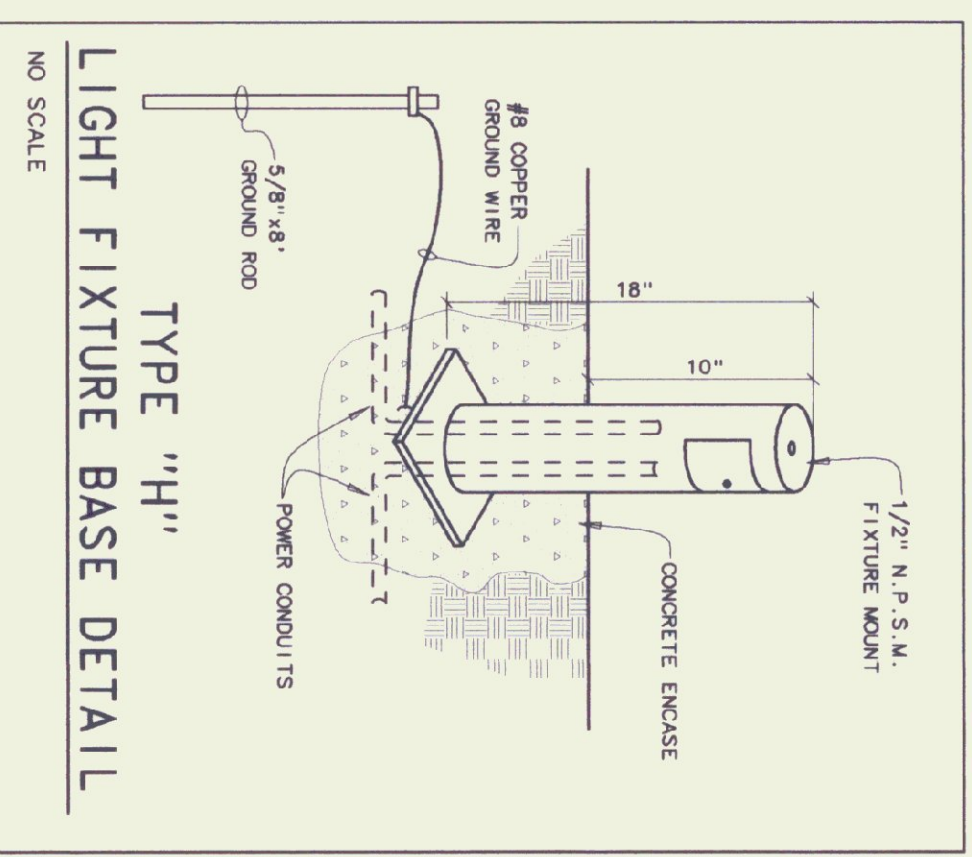


**LIGHTING FIXTURE SCHEDULE**

KEY	MANUFACTURER & MODEL	MOUNTING	LAMPS	REMARKS
H	KIM AFL4/70MH - 120-M-DB-P	STANCHION MOUNT	ED17 - 70W METAL HALIDE	BARN DOORS BD/DB-P
J	KIM 1A/AR2/150HPS/240 VOLT/DB-P/A25	20' POLE	150W HPS	PHOTOCELL



STATE OF VERMONT  
 AGENCY OF ADMINISTRATION  
 DEPARTMENT OF BUILDINGS AND GENERAL SERVICES  
 VERMONT

Agency of Transportation  
 HUNTINGTON HANGER  
 Berlin, Vermont  
 SITE ELECTRIC PLAN

DATE:	FEB. 1997	SCALE:	1" = 20'	REVISIONS:	CAD FILE:	DWG NO.
DRAWN BY:	B.W.M.	APPROVED BY:	E.E.P.	SHEET:	P-HH-SE1	SE-1
					3 OF 3	

**Pearson & Associates**  
 MECHANICAL & ELECTRICAL ENGINEERS

P.O. BOX 610 STOWE, VERMONT 05672  
 TEL. (802) 253-9607 FAX. (802) 253-9290

**Provan & Lorber, Inc.**  
 ENGINEERS & PLANNERS

Base Office: PO Box 309, Contooscook, NH 03229 (603) 746-9220  
 Northern NH Office: PO Box 187, Littleton, NH 03561 (603) 444-6301  
 Vermont Office: 7 Main St., Montpelier, VT 05602 (802) 229-1442

**SITE ELECTRIC PLAN**  
 SCALE - 1"=20'