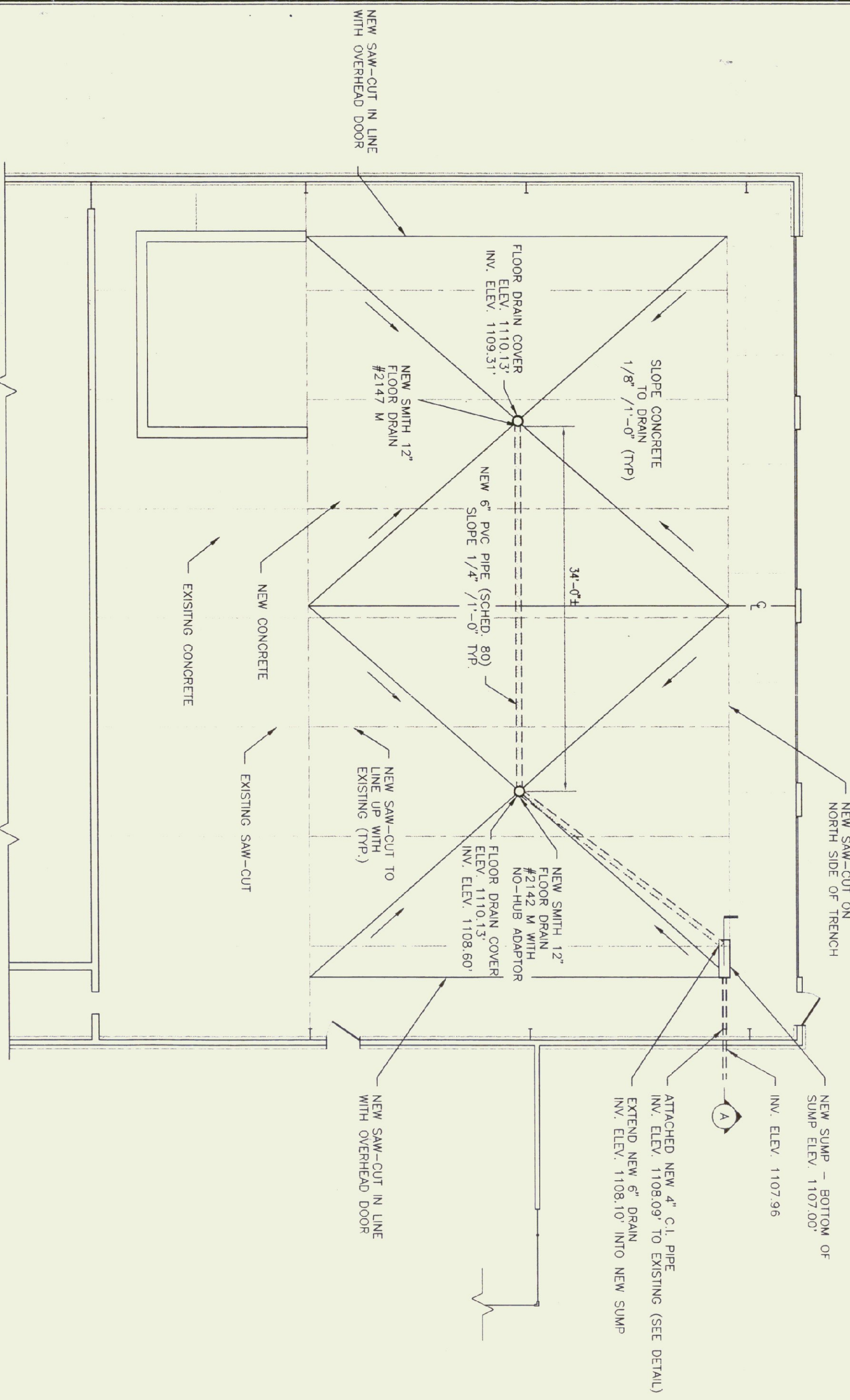
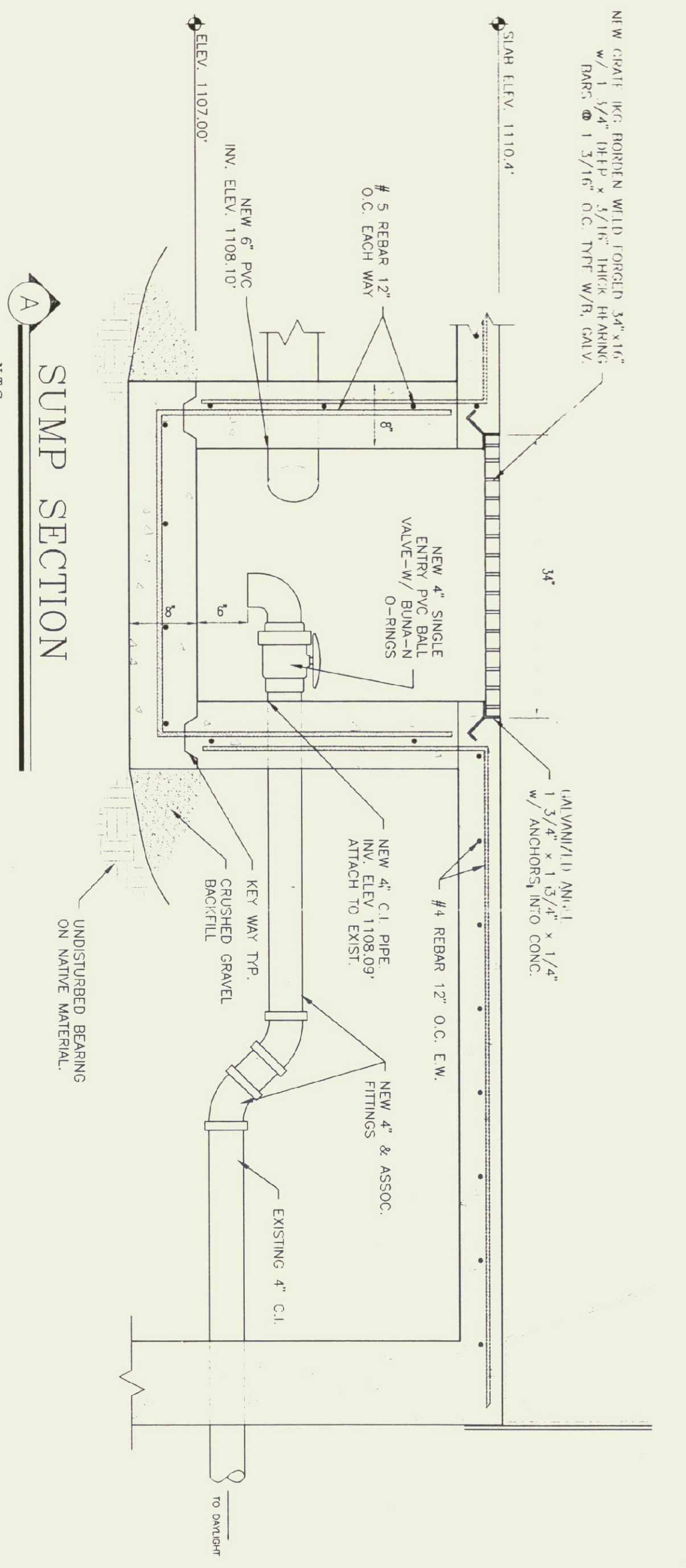




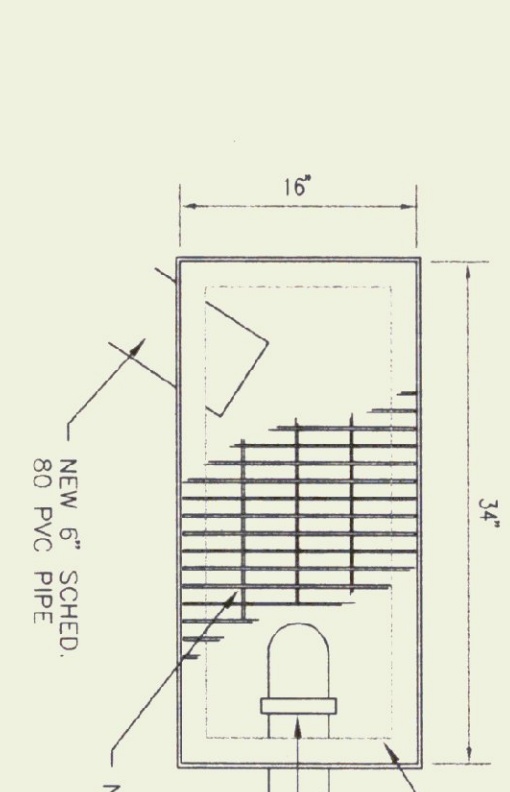
EXISTING PLAN
1/8" = 1'-0"



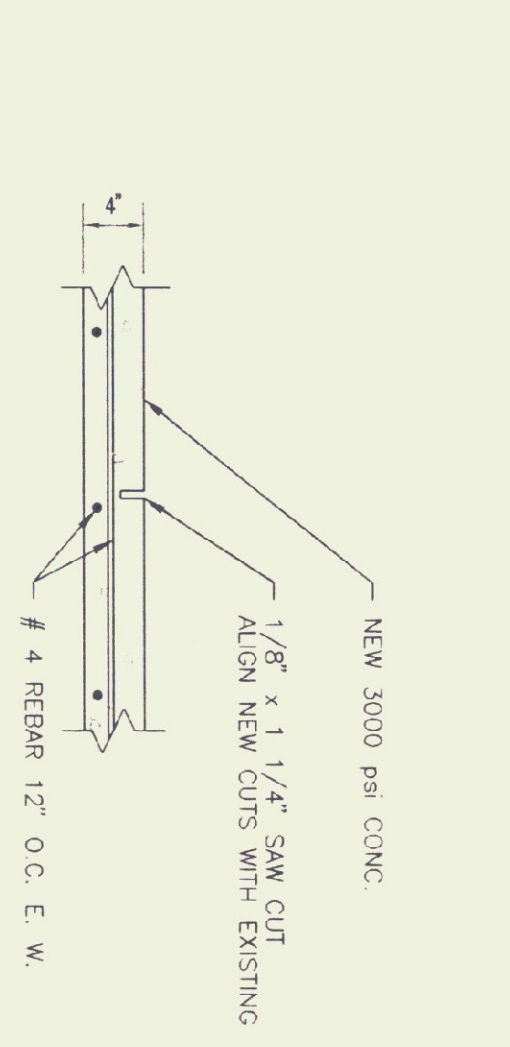
PROPOSED PLAN
1/8" = 1'-0"



SUMP SECTION
N.T.S.



SUMP PLAN
N.T.S.



SLAB DETAIL
N.T.S.

NOTES:

GENERAL:

CONTRACTOR TO SAW-CUT, REMOVE, AND DISPOSE OF EXISTING CONCRETE SLAB AND CONCRETE SUMP AS SHOWN.
AFTER SLAB PLACEMENT, SAW JOINTS AS SOON AS CONCRETE CAN BE CUT WITHOUT TEARING OR DAMAGING THE FINISHED SURFACE.
CONTRACTOR TO WET SAW-CUT ONLY. IT IS THE CONTRACTOR'S RESPONSIBILITY TO CLEAN THE EXISTING GARAGE FACILITY TO MEET OWNER'S SATISFACTION AT PROJECT COMPLETION.

CONCRETE:

CONCRETE SHALL BE DESIGNED, READY-MIXED, HANDLED, PLACED, CURED, ETC. ACCORDING TO THE RECOMMENDATIONS AND SPECIFICATIONS FOUND IN LOCAL CODES AND IN THE LATEST RECOMMENDATIONS OF THE A.C.I.
CONCRETE TO BE 3000 PSI IN ACCORDANCE WITH VERMONT A.O.T. STANDARD SPECIFICATION 501 FOR CLASS 'C' CONCRETE. SUMP Z-4 - AIR CONTENT: 4% - 6%.
AFTER SLAB PLACEMENT AND FINISHING APPLY A CURING COMPOUND TO THE CONCRETE EQUIVALENT TO HARRIS SUPER KURSEAL 309-800-830. APPLY PER MANUFACTURER'S RECOMMENDATIONS.

REINFORCING STEEL:

REINFORCING STEEL TO MEET ALL THE REQUIREMENTS OF ASTM 615, GRADE 60.
INSTALL AS SHOWN ON DETAIL.
REINFORCING STEEL SHALL BE SECURELY TIED AND HELD IN PROPER PLACE BEFORE AND MAINTAINED DURING THE POUR BY MEANS OF APPROVED CHAIRS AND SPACERS.
CONCRETE SHALL COVER THE REINFORCING STEEL PER FOLLOWING TABLE. DIMENSIONS GIVEN ARE CLEAR DIMENSIONS.
FORMED CONCRETE AGAINST SOIL
5 REBAR OR SMALLER 1 1/2"
CONCRETE NOT EXPOSED TO WEATHER 1 1/2"

SUB-BASE MATERIAL:

EXISTING STRUCTURAL BACKFILL MATERIAL TO BE EXCAVATED AND STOCKPILED AFTER EXISTING SLAB IS REMOVED. REINFORCING STEEL SHALL BE PLACED IN THE EXISTING SUB-BASE MATERIAL. A MINIMUM 2" OF UNCOMPACTED BACKFILL UNDER THE NEW SLAB. PROVIDE ANY ADDITIONAL CRUSHED GRAVEL. EXCESS EXCAVATED MATERIAL WHICH IS UNSUITABLE FOR REUSE MUST BE REMOVED FROM THE SITE AND WASTED IN AN APPROVED LOCATION.
ALL CRUSHED GRAVEL TO BE PER VERMONT A.O.T. STANDARD 755.05 (7)NE)
COMPACT ALL STRUCTURAL BACKFILL TO 95% STANDARD PROCTOR PRIOR TO PLACING REINFORCING STEEL.

**HUNTINGTON HANGER
SLAB REPLACEMENT
PLANS & DETAILS**

BERLIN,

VERMONT



STATE OF VERMONT
Department of Buildings
and General Services
Agency of Administration
Montpelier, Vermont



SCALE: AS NOTED	REVISIONS
DATE: JUNE 1997	
DRAWN BY: G.D. NORWOOD	
APPR. BY:	