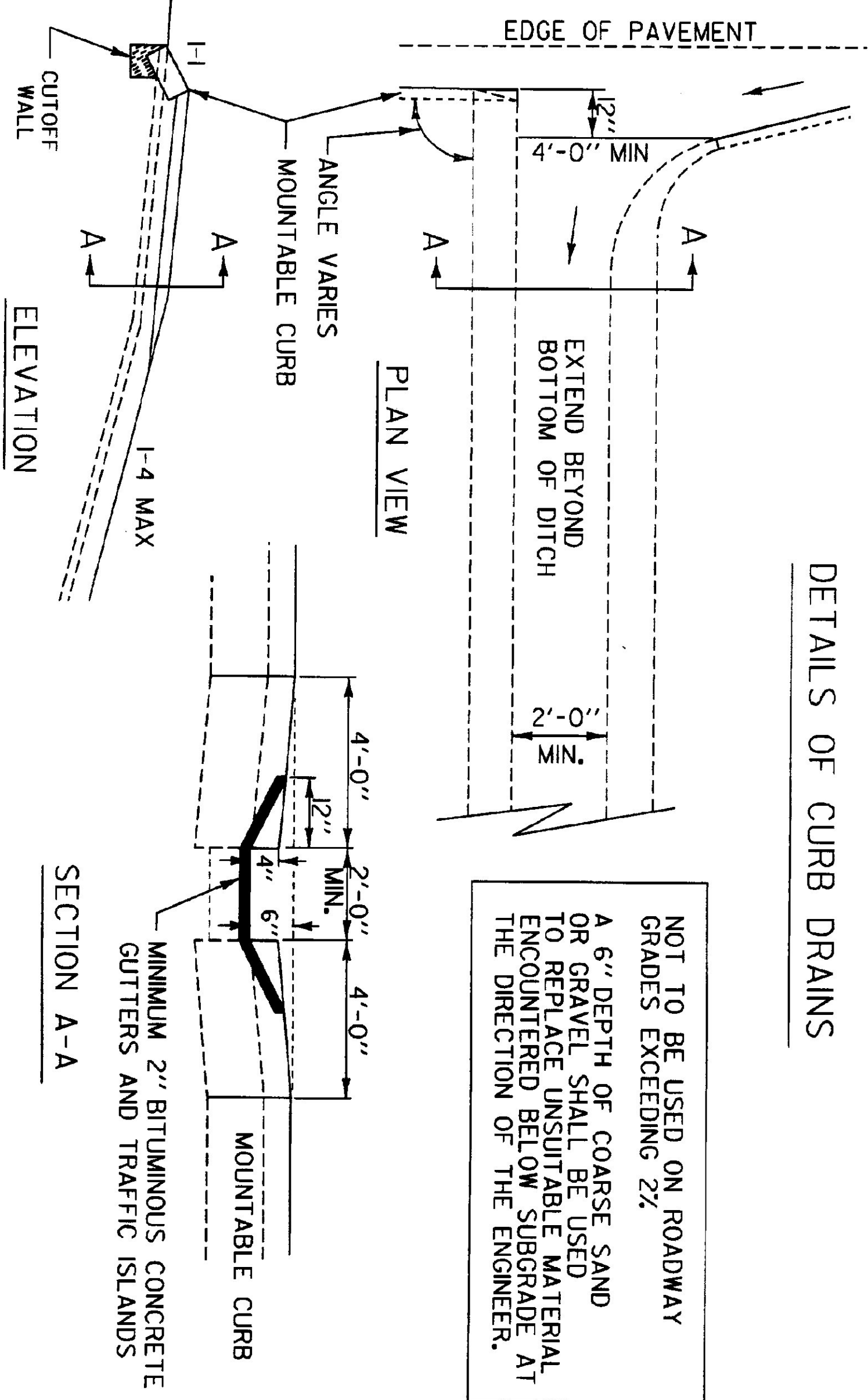
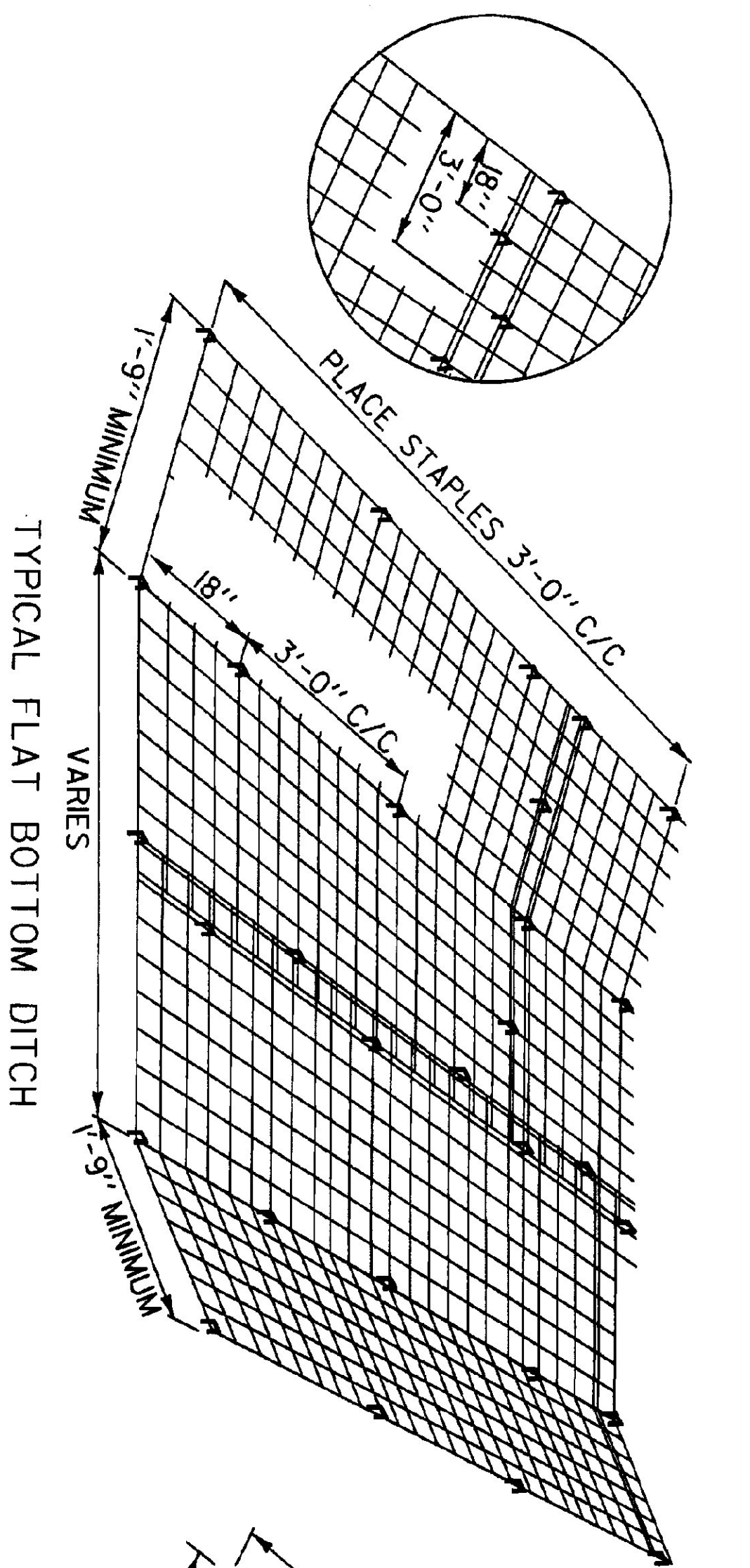


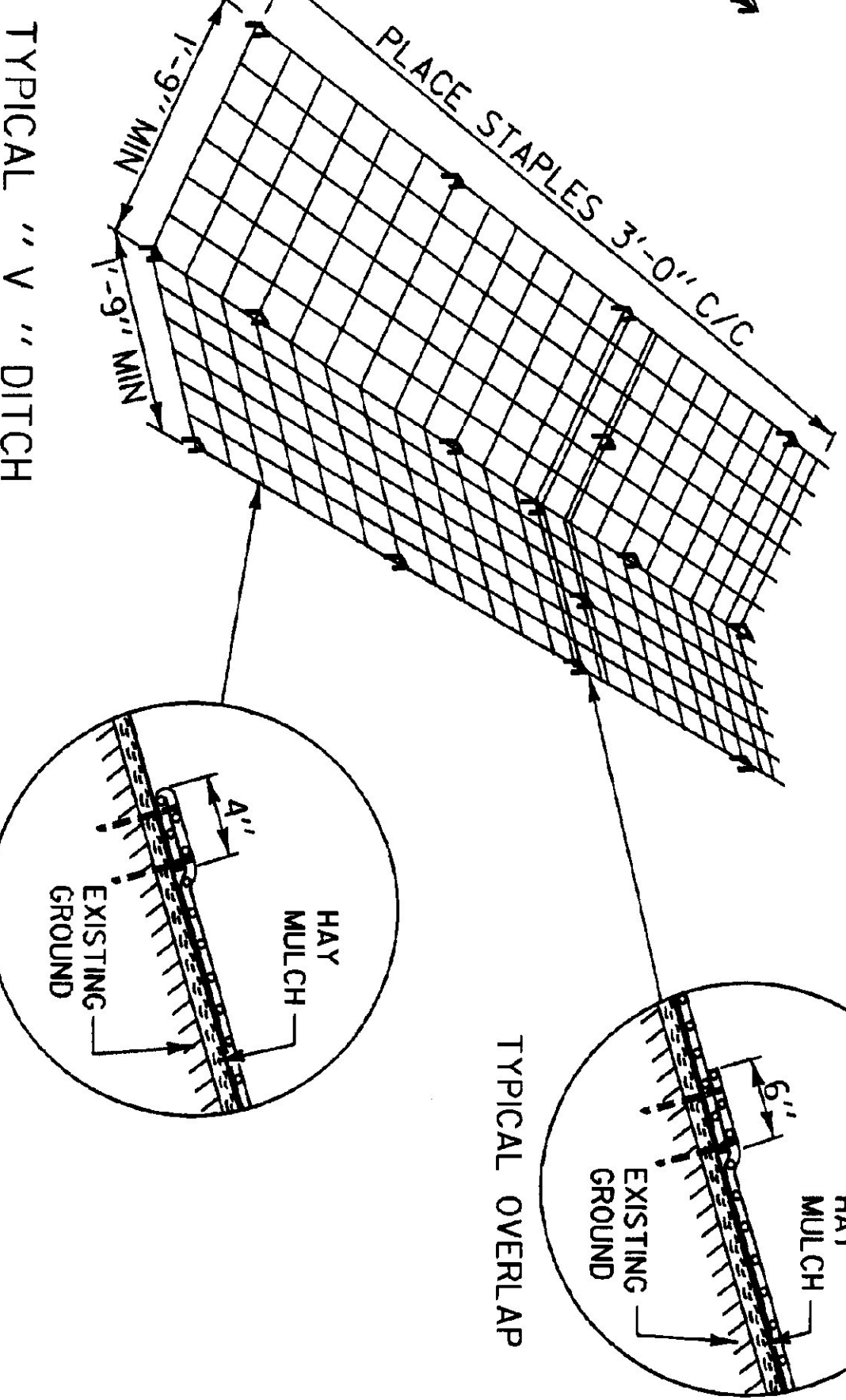
DETAILS OF CURB DRAINS



ON ALL OVERLAPS, PLACE STAPLES EVERY 18", ALTERNATING ON BOTH SIDES OF 6" OVERLAP.

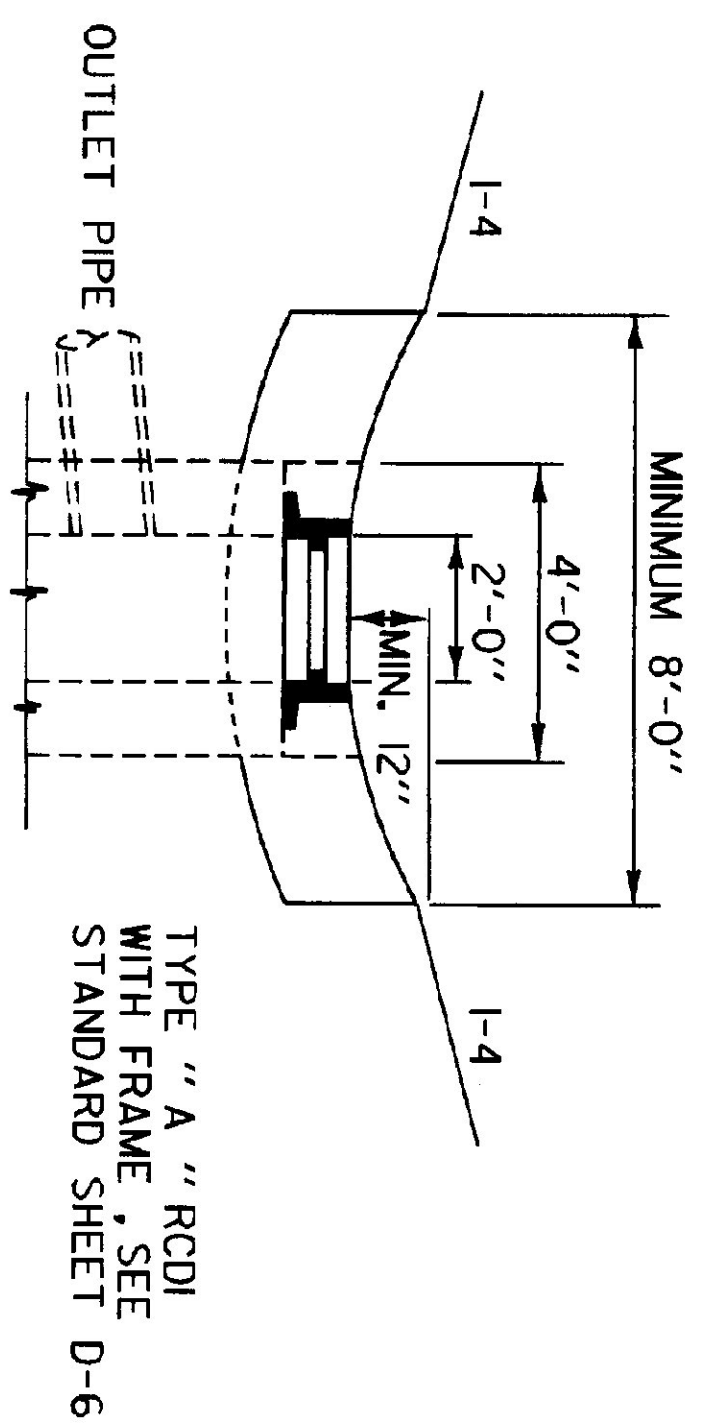


TYPICAL FLAT BOTTOM DITCH

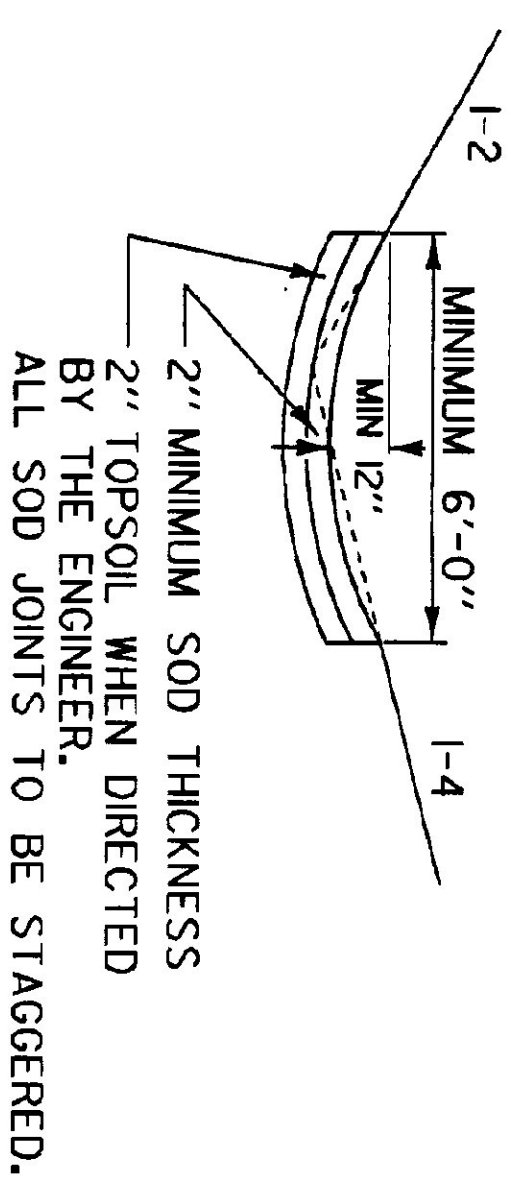


TYPICAL "V" DITCH

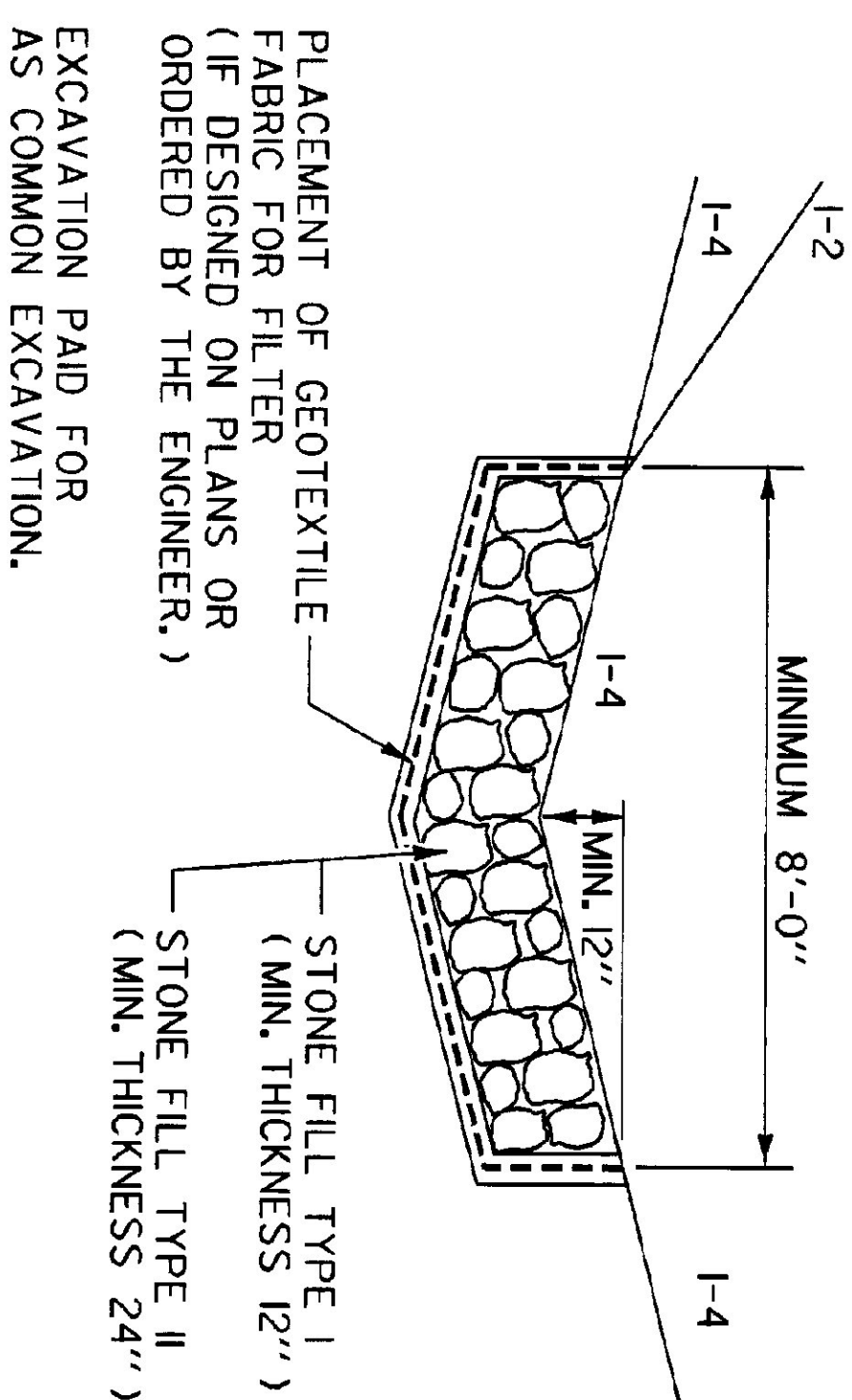
DROP INLET WITH GRATE IN TREATED GUTTER



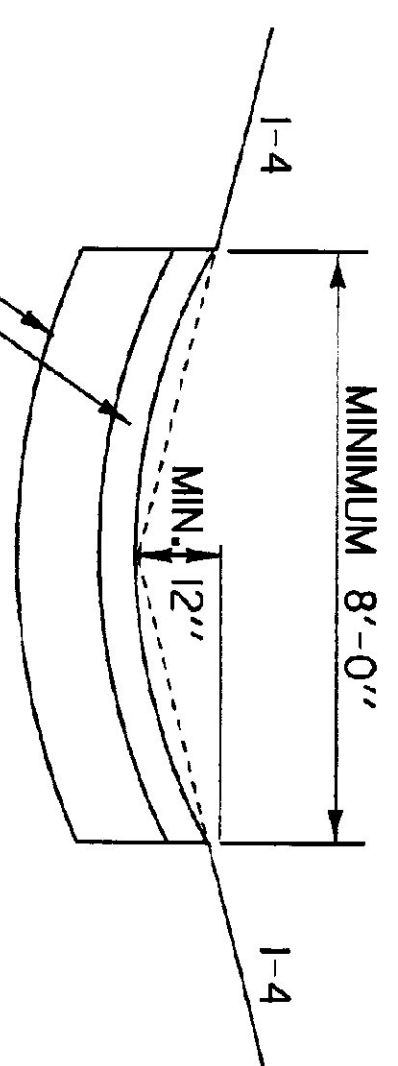
SODDING



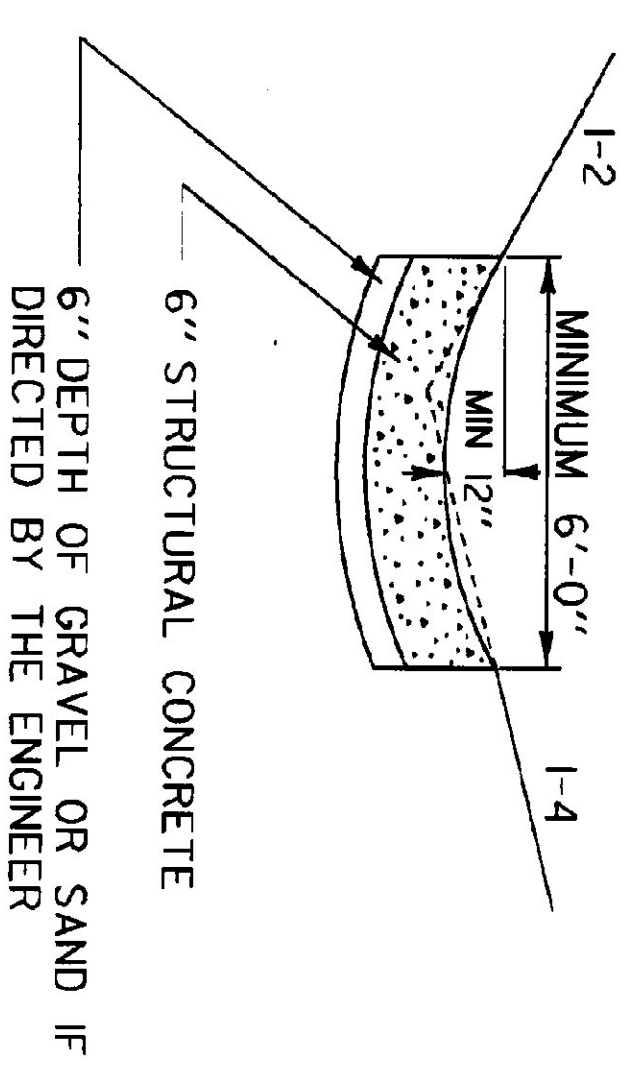
STONE FILL TYPE I  
STONE FILL TYPE II



BITUMINOUS CONCRETE GUTTERS  
AND TRAFFIC ISLANDS



PORTLAND CEMENT CONCRETE GUTTER



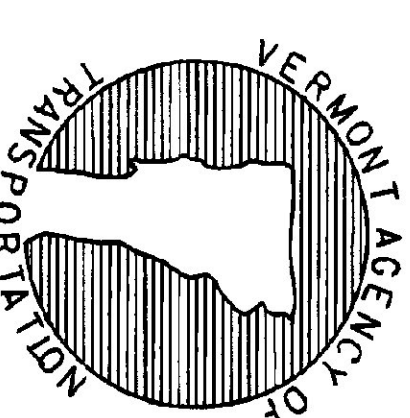
REVISIONS AND CORRECTIONS  
APR. 2, 1986 - ORIGINAL APPROVAL DATE  
JUNE 1, 1994 - REISSUED, WITHOUT CHANGE,  
UNDER NEW SIGNATURES.

APPROVED

APPROVED FOR THIS PROJECT  
AND/OR DESIGN AND/OR CONSTRUCTION  
FINAL APPROVAL REMAINS

Director of Engineering  
Design Engineer

TREATED GUTTERS



STANDARD

D-3