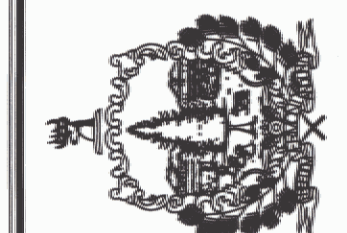




STATE OF VERMONT
 Department of Buildings
 and General Services
 Agency of Administration
 Montpelier, Vermont



VERMONT

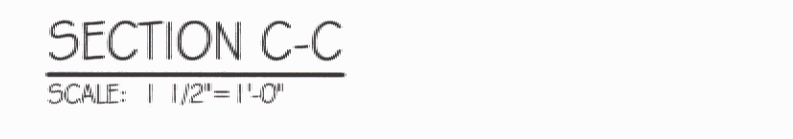
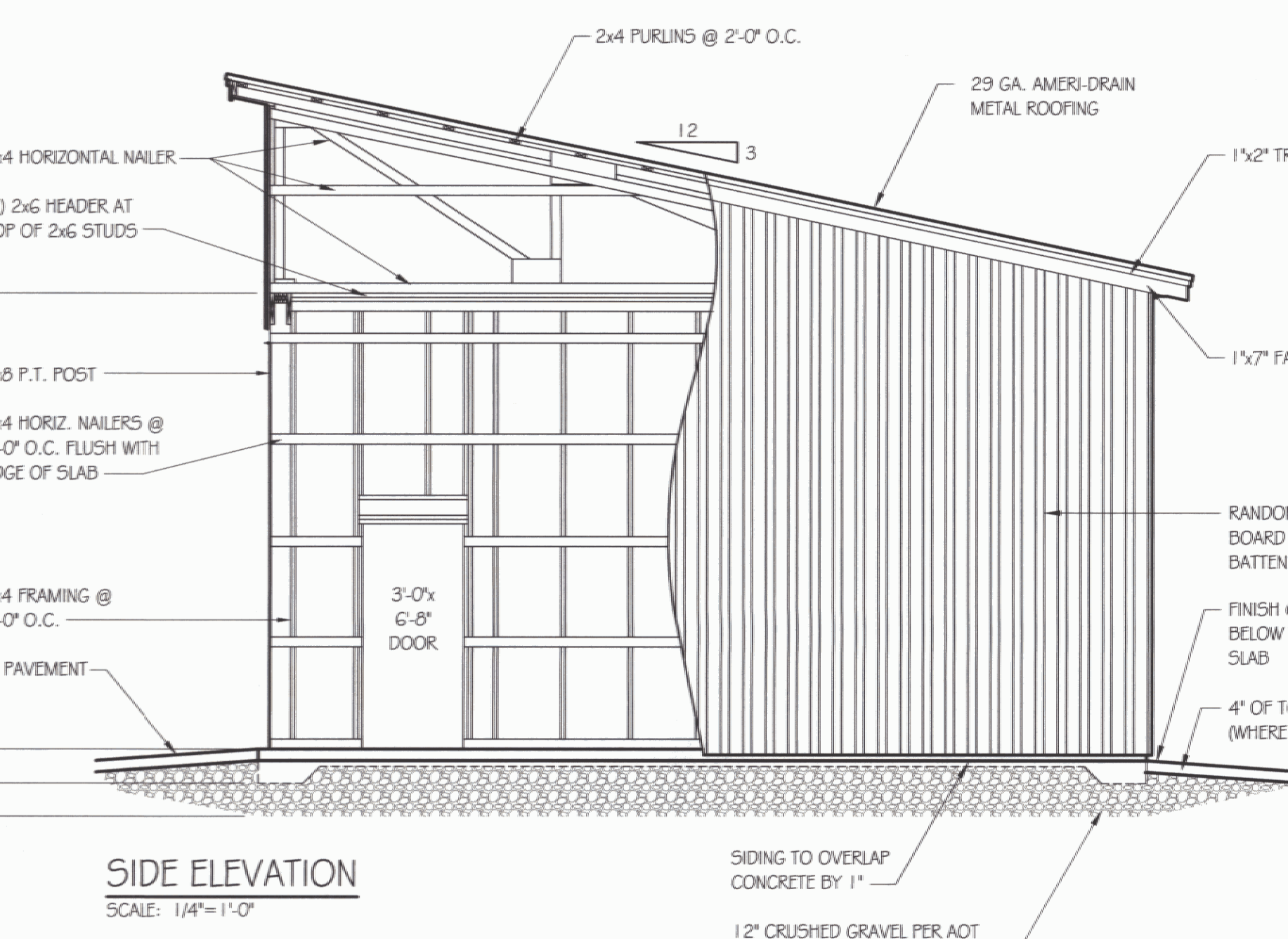
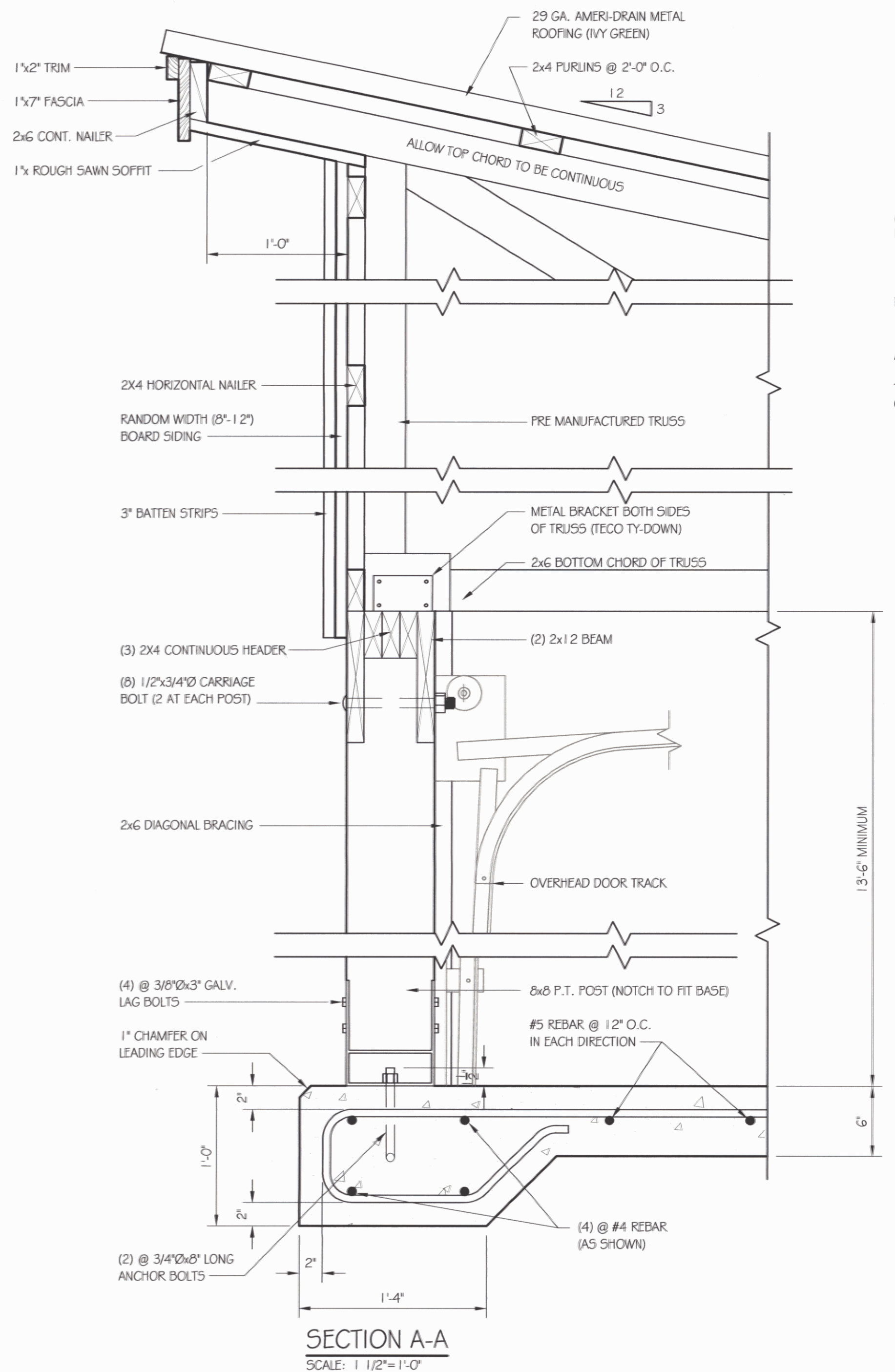
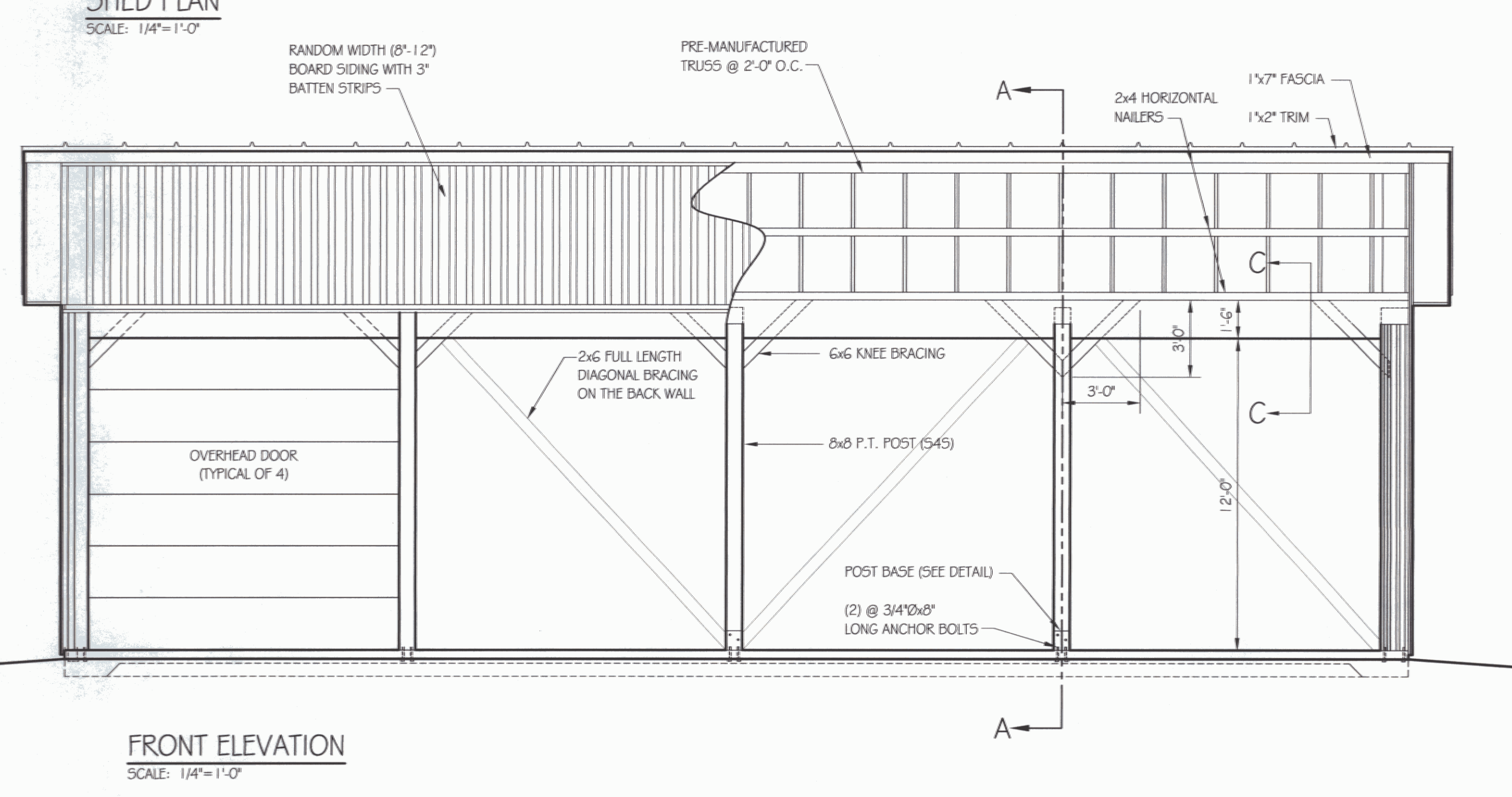
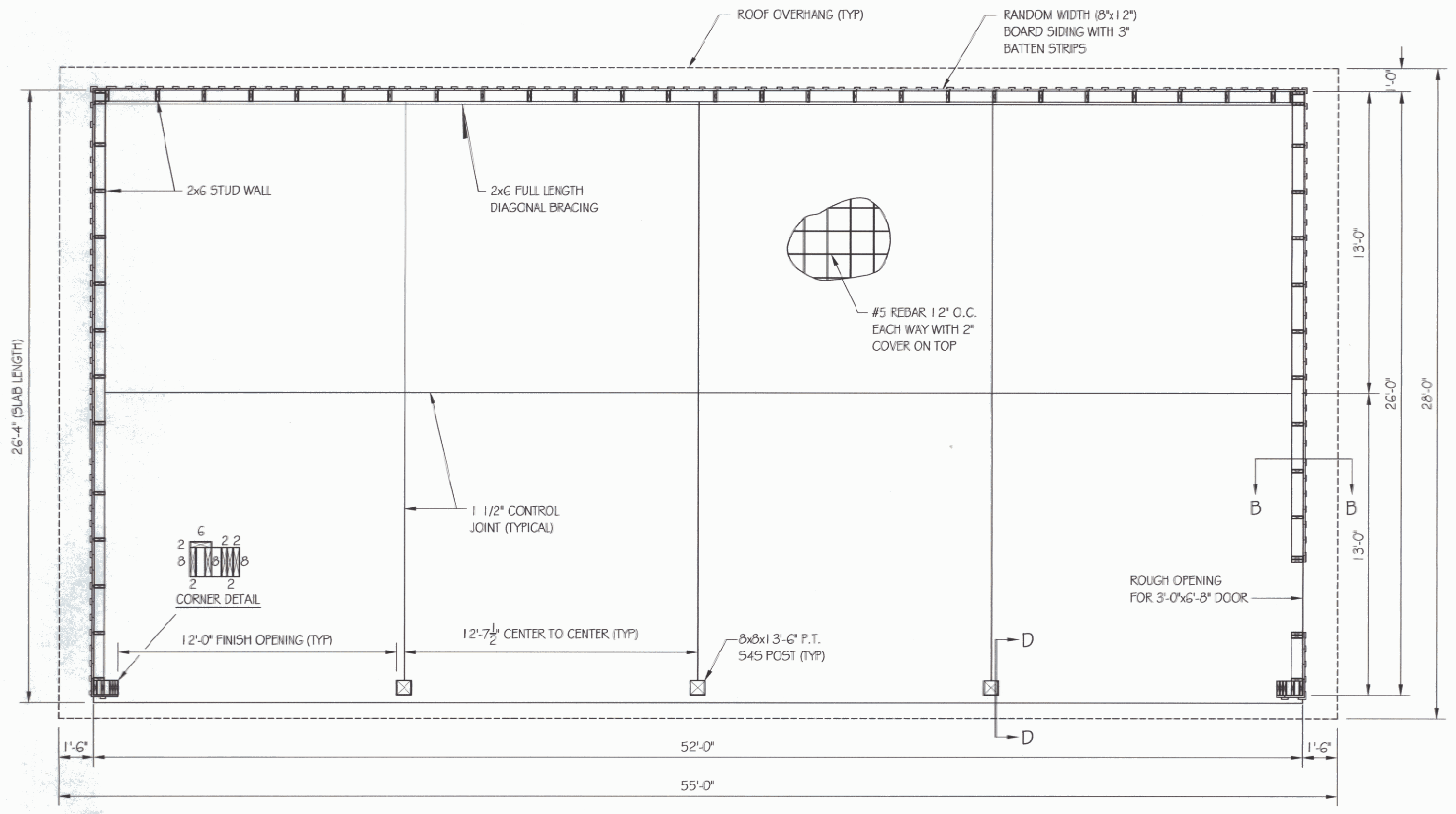
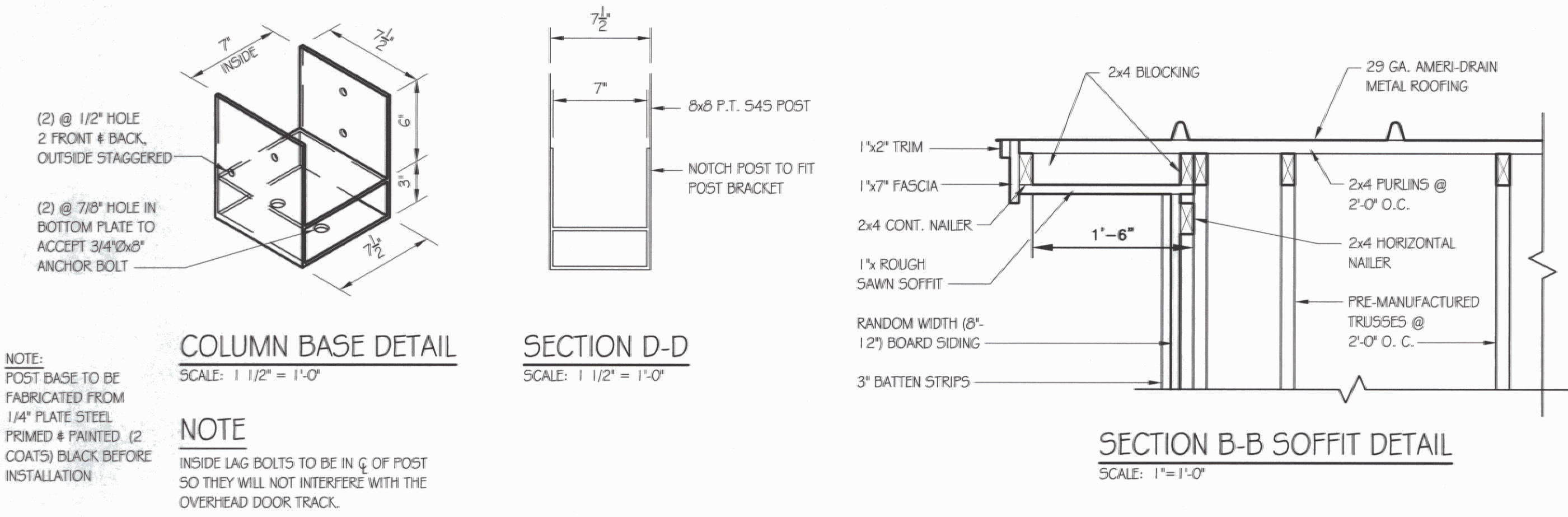
AGENCY OF TRANSPORTATION
 NEW 26x52' STORAGE SHED
 PLAN, DETAILS & ELEVATIONS

NORTH FERRISBURG

REVISIONS

SCALE:	AS NOTED
DATE:	3/2004
DRAWN BY:	T. DREW
APPR. BY:	M. MILLER

AGENCY OF TRANSPORTATION
 NEW 26x52' STORAGE SHED
 PLAN, DETAILS & ELEVATIONS



GENERAL NOTES

- STEEL DOOR AND FRAME NOTES:**
 DOOR: DOOR SHALL BE UNINSULATED 16 GAUGE METAL, 1 3/4" THICK, ZINC COATED PER ASTM 525.
 FRAME: 14 GAUGE METAL, ZINC COATED
 MANUFACTURER: STEEL KRAFT OR APPROVED EQUAL.
 HARDWARE: SEE SPECIFICATIONS
- OVERHEAD DOOR NOTES:**
 SEE SPECIFICATIONS
- TRUSS NOTES:**
 TRUSS MANUFACTURER TO PROVIDE DEPT. OF STATE BUILDINGS ENGINEER A SET OF ENGINEERED & STAMPED DRAWINGS FOR APPROVAL PRIOR TO TRUSS MANUFACTURE (ENGINEER MUST BE LICENSED IN VERMONT).
 TRUSS MANUFACTURER TO PROVIDE THE CONTRACTOR WITH ALL NECESSARY INSTRUCTIONS FOR PROPER TRUSS INSTALLATION, ANCHORAGE, BRACING, LIFTING, ETC..
 TRUSS DESIGN LOADS IN ACCORDANCE WITH THE 1987 B.O.C.A. FOR VERMONT.
- MINIMUM LOADS:**
 LIVE - PER 1987 B.O.C.A. FOR VERMONT (40 PSF MIN.)
 DEAD - AS CALCULATED FROM TRUSS & ROOF MATERIAL
 5 PSF ON BOTTOM CHORD
 WIND - 25 PSF
 DIAGONAL WIND BRACING PER TRUSS MANUFACTURE.
- LUMBER NOTES:**
 FRAMING MEMBERS TO BE KILN DRIED CONSTRUCTION GRADE SPRUCE 545 19% MOISTURE CONTENT.
 PLATES & NAILERS IN CONTACT WITH CONCRETE TO BE CCA 0.40 TREATED
 BOARD & BATTEN SIDING, TRIM, AND SOFFIT MATERIAL TO BE NATIVE ROUGH SAWN WHITE PINE, SPRUCE, EASTERN FIR OR RED PINE. BOARDS TO BE RANDOM WIDTH 8"-12" - BATTEN 3".
 BOARD SIDING & BATTEN STRIPS TO BE FULL LENGTH (NO HORIZONTAL JOINTS).
 ALL FASTENERS TO BE GALVANIZED AND SHALL BE APPROPRIATELY SIZED.
- FINISH NOTES:**
 ALL BOARDS & BATTEN TO BE STAINED WITH ONE COAT (ALL SURFACES) PRIOR TO INSTALLATION. AFTER INSTALLATION EXTERIOR SIDING TO RECEIVE ONE ADDITIONAL COAT OF STAIN.
 ROOFING COLOR: IVY GREEN (BY AMERI-DRAIN)
 STAIN TO BE OLYMPIC OIL BASE SEMI-TRANSPARENT OXFORD BROWN #71.3.
- CONCRETE NOTES:** PER A.O.T. STANDARD.
 CONCRETE STRENGTH TO BE 3500 PSI
 CONCRETE FINISH TO BE FLOATED.
 CONCRETE TO BE CLASS "B" PER AOT STANDARD SPECIFICATIONS TABLE 501.03A WITH 5% ± 1% AIR ENTRAINMENT, AND 2'-4" SLUMP.
 RE-BAR TO BE CONTINUOUS THROUGH CONSTRUCTION JOINTS.
 CONTRACTOR TO LEAVE NO METAL WITHIN 1" OF SURFACE. USE 1" DEEP PLASTIC CONES AT ALL TIES AND PLUG ALL THE HOLES WITH AN APPROVED NON-SHRINK GROUT.
 ALL RE-BAR TO BE GRADE 60 WITH 3" CLEARANCE ON ALL SIDES UNLESS NOTED OTHERWISE.
 RE-BAR TO BE STORED ON BLOCKING 4" MINIMUM ABOVE GROUND.
 CONCRETE SUPPLIER TO PROVIDE TEST CYLINDERS FOR CONCRETE TESTING.
 ALL CONCRETE TESTING TO BE DONE BY OWNER. CONTRACTOR IS RESPONSIBLE FOR SCHEDULING.
 CONCRETE CURING SHALL FOLLOW IMMEDIATELY AFTER FORM REMOVAL PER A.O.T. STANDARD 501.17A. WATER CURING WILL BE REQUIRED, UNLESS ALTERNATE MEANS OF CURING IS APPROVED, IN WRITING, BY THE PROJECT ENGINEER.