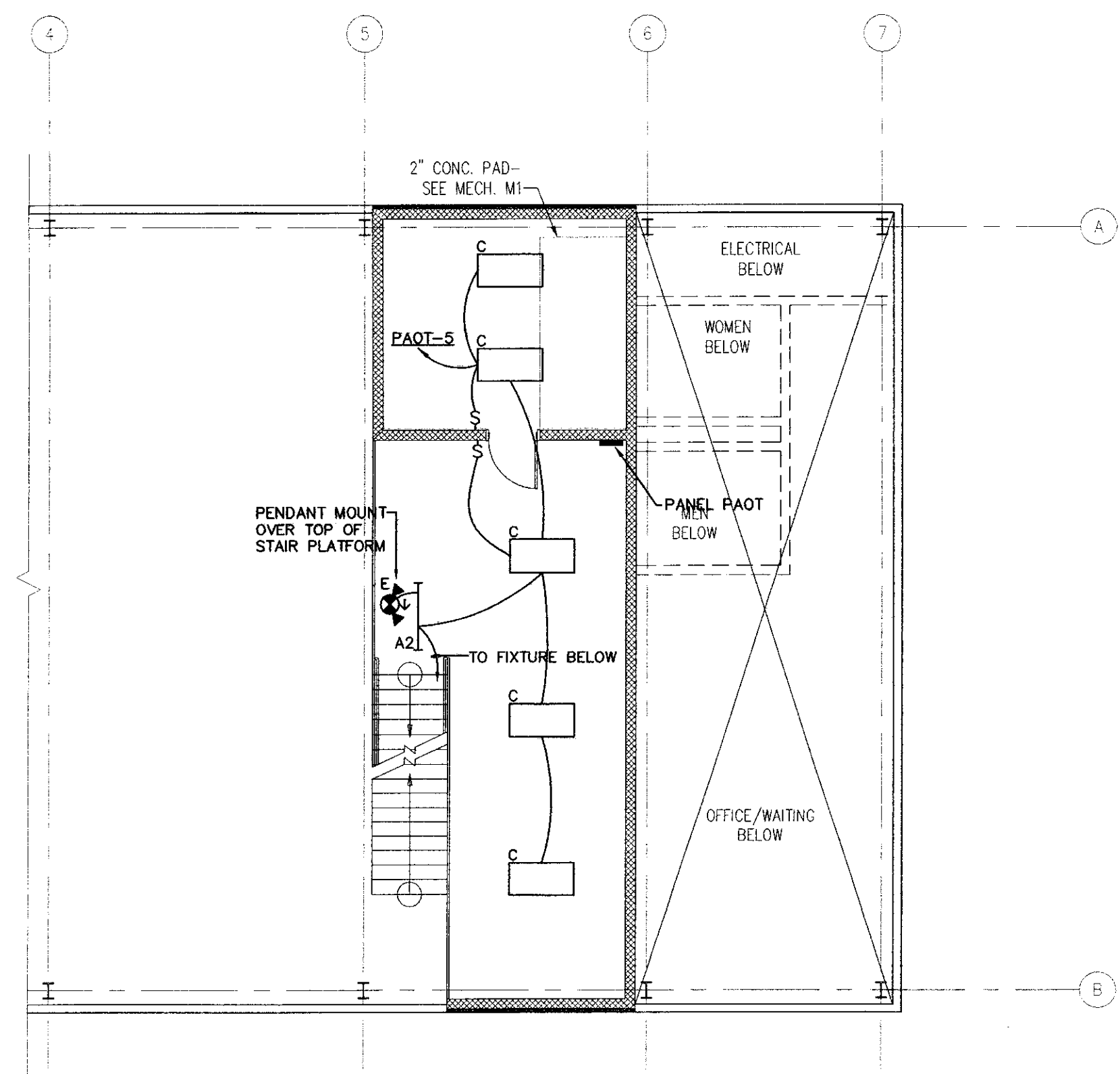


MAIN LEVEL PLAN - ELECTRICAL LIGHTING

SCALE: 1/8" = 1'-0"

1



UPPER LEVEL PLAN - ELECTRICAL LIGHTING

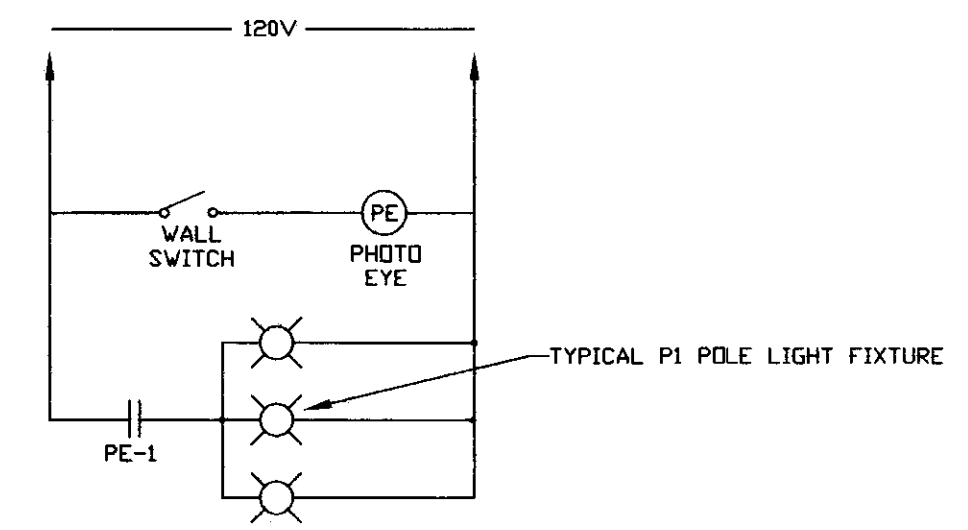
SCALE: 1/8" = 1'-0"

2

DMV PARKING LOT LIGHTING CONTROL DIAGRAM

NTS

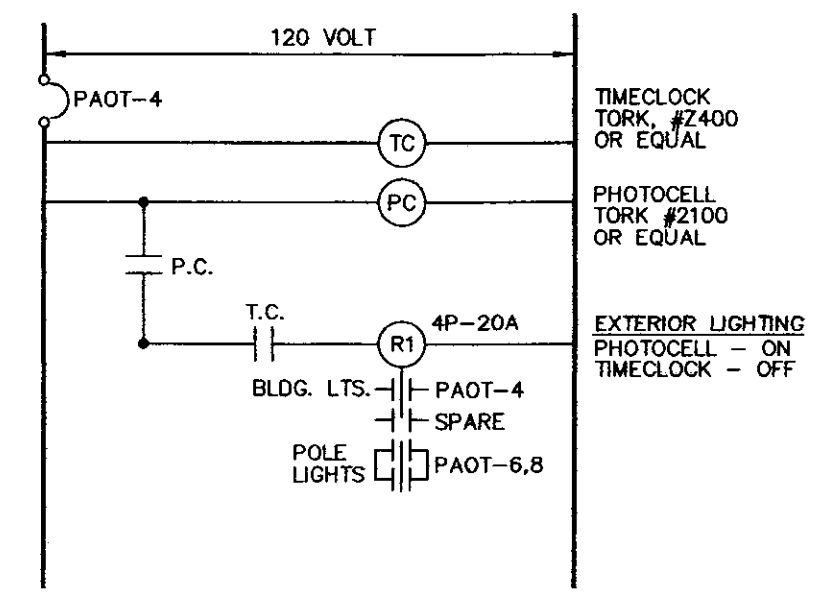
4



AOT PARKING LOT LIGHTING CONTROL DIAGRAM

NTS

3



ELECTRICAL NOTES:

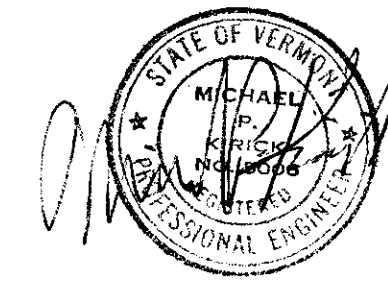
- ◆ THE LIGHT SWITCH FOR THE POLE MOUNTED LIGHTING FIXTURES AT THE COMMERCIAL PARKING AREA SHALL BE LOCATED WITHIN THE DMV SPACE AS SHOWN.
- ◆ MOUNT PHOTO EYE FOR DMV WALKWAY AND PARKING AREA FIXTURES HIGH UP ON WALL. SEE CONTROL DIAGRAM FOR CIRCUITING.
- ◆ PHOTO EYE AND TIME CLOCK FOR AOT PARKING AREA, SEE LIGHTING CONTROL DIAGRAM BELOW FOR CIRCUITING DETAILS.
- ◆ NIGHT LIGHT DESIGNATED FIXTURES SHALL UTILIZE ONE LAMP FOR "B" TYPE FIXTURES AND TWO LAMPS FOR "A" TYPE FIXTURES

LIGHTING FIXTURE SCHEDULE

TYPE	MANUFACTURER	CAT. NO.	SUGGESTED LAMPS	DIFFUSER	MOUNTING	SUGGESTED STYLE
A	METALUX	E1M-432-120-EB81	(4) 32 WATT-SUPER T8	20% UPLIGHT	CHAIN HUNG	INDUSTRIAL STYLE WITH UPLIGHT CONSTRUCTION, WHITE ENAMEL FINISH
A1	METALUX	E1M-432-120-EB81	(4) 32 WATT-SUPER T8	20% UPLIGHT	CHAIN HUNG	SAME AS TYPE "A" EXCEPT WITH TWO BALLASTS
A2	METALUX	E1M-432-120-EB81	(2) 32 WATT-SUPER T8	20% UPLIGHT	CHAIN HUNG	SAME AS TYPE "A" EXCEPT WITH TWO LAMPS
B	METALUX	2EP3G332S36-120-EB82	(3) 32 WATT-SUPER T8	PARABOLIC	TROFFER	
C	METALUX	2GC8232A-120-EB81	(2) 32 WATT-SUPER T8	ACRYLIC PRISMATIC	TROFFER	
D	METALUX	BAU230-120-EB	(2) 30 WATT	ACRYLIC PRISMATIC	WALL	WALL BRACKET WITH UP/DOWN LIGHT, 36" LONG
D1	METALUX	BAU130-120-EB	(1) 30 WATT			SAME AS TYPE "D", EXCEPT WITH SINGLE LAMP FOR DOWNLIGHTING ON COUNTERTOP
E	PRESCOLITE	PEXHL3REC-CBW	LED	N/A	WALL OR CEILING	LED EXIT SIGN WITH SELF CONTAINED EMERGENCY BATTERY & EMERGENCY LIGHTHEADS
F	HUBBELL	W7H8	(1) 70 WATT METAL HALIDE	CLEAR POLYCARBONATE	WALL	WALL PACK WITH SHARP CUT-OFF SHIELD, DARK BRONZE TRIM
G	HUBBELL	TWSM100MHDLDB-120	(1) 100 WATT METAL HALIDE	CLEAR GLASS	WALL	WALL PACK, SHARP CUT-OFF DESIGN, DARK BRONZE TRAPEZOID SHAPE
H	STONCO	MDK270WHT	(2) 150W PAR 38	NONE	DIRECT TO RAFTER	BASIC PAR STYLE LAMP IN TWIN BASE HOLDER W/ MOTION SENSOR ACTIVATION. MOUNT FIXTURE TO BOTTOM CHORD OF RAFTER, HOWEVER, SEPARATE MOTION SENSOR FROM BACKPLATE AND MOUNT AT 12' HEIGHT ALONG WALL FOR BETTER MOTION SENSING
J	NOT USED					
K	HUBBELL	MSS-G-100H-T-B-1-PCR	(1) 100W METAL HALIDE	FORWARD THROW	GARAGE	MAGNUSPEC SHARP CUT-OFF WALL MOUNT FIXTURE TO MATCH TYPE "P", BRONZE FINISH
P1	HUBBELL	RCS-A-175H-3P-8-1-MAL-4-X W/ SAP 42 POLE	(1) 175W METAL HALIDE	TYPE III DISTRIBUTION	POLE	MAGNUMFORM POLE FIXTURE, SHARP CUT-OFF, 20' SQUARE ALUMINUM POLE MOUNTED ON CONCRETE BASE, DARK BRONZE FINISH
P2	HUBBELL	RCS-A-175H-3P-8-1-MAL-4-X W/ SAP 42 POLE	(1) 175W METAL HALIDE	TYPE III DISTRIBUTION	POLE	SAME AS TYPE "P1", EXCEPT WIRED FOR 240 VOLT CIRCUIT

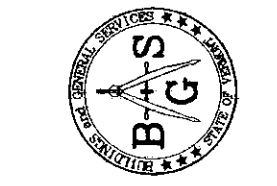
GENERAL NOTES:

- 1. ALL FLUORESCENT BALLASTS SHALL BE ELECTRONIC TYPE.
- 2. ALL COMPACT FLUORESCENT LUMINAIRES SHALL HAVE HIGH POWER FACTOR "HP" ELECTRONIC BALLASTS.
- 3. LAMPS SHALL BE SUPPLIED AND INSTALLED BY CONTRACTOR.
- 4. ALL FLUORESCENT BALLASTS SHALL HAVE A THIRD HARMONIC DISTORTION (THD) OF 5% OR LESS.
- ** LENGTH OF FIXTURE WILL VARY PENDING LOCATION, ALSO VERIFY CONNECTION REQUIREMENTS AND EMERGENCY BATTERY OPTIONS



KIRCK ENGINEERING ASSOCIATES, P.C.
Electrical / Telecom Consulting
5996 WILLISTON ROAD
WILLISTON, VT 05495
Phone: 802-455-5731 Fax: 888-844-7172

D&W
DORE AND WHITTIER, INC.
Architects - Project Manager
1400 HANCOCK STREET
WATERBURY, VT 05671
Phone: (817) 471-2897 Fax: (817) 471-2810



STATE OF VERMONT
DEPARTMENT OF BUILDINGS
AND GENERAL SERVICES
AGENCY OF ADMINISTRATION
MONTPELIER, VERMONT

AGENCY OF TRANSPORTATION
N. FERRISBURGH MAINTENANCE FACILITY
N. FERRISBURGH, VERMONT

REVISIONS

SCALE: AS NOTED
DATE: 01/04/06
DRAWN BY: D.J.G.
APPR. BY: P.T.K.

ELECTRICAL LIGHTING PLAN

E2