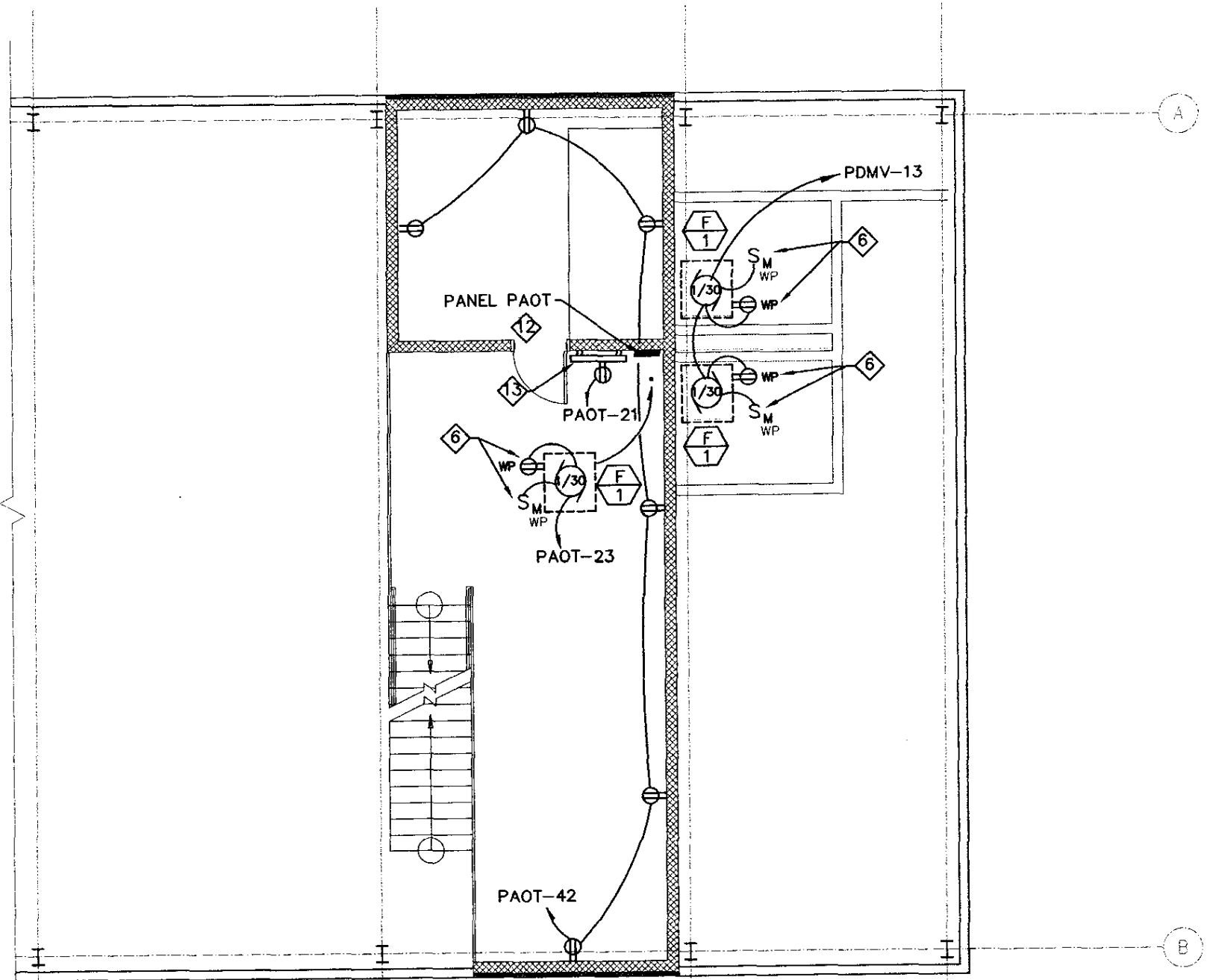


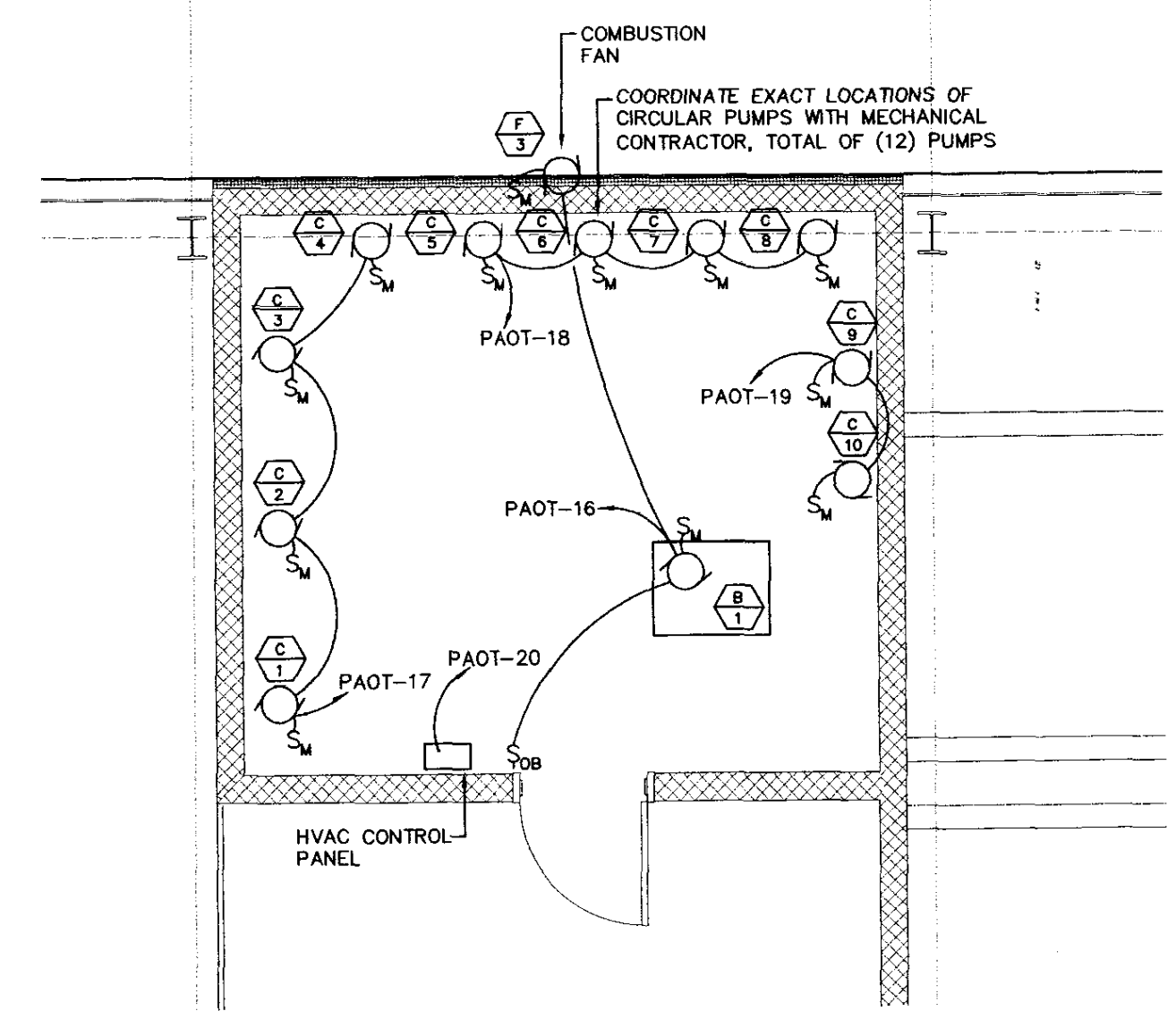
MAIN LEVEL PLAN - ELECTRICAL POWER

SCALE: 1/8" = 1'-0"



UPPER LEVEL PLAN - ELECTRICAL POWER

SCALE: 1/8" = 1'-0"



BOILER ROOM EQUIPMENT DETAIL

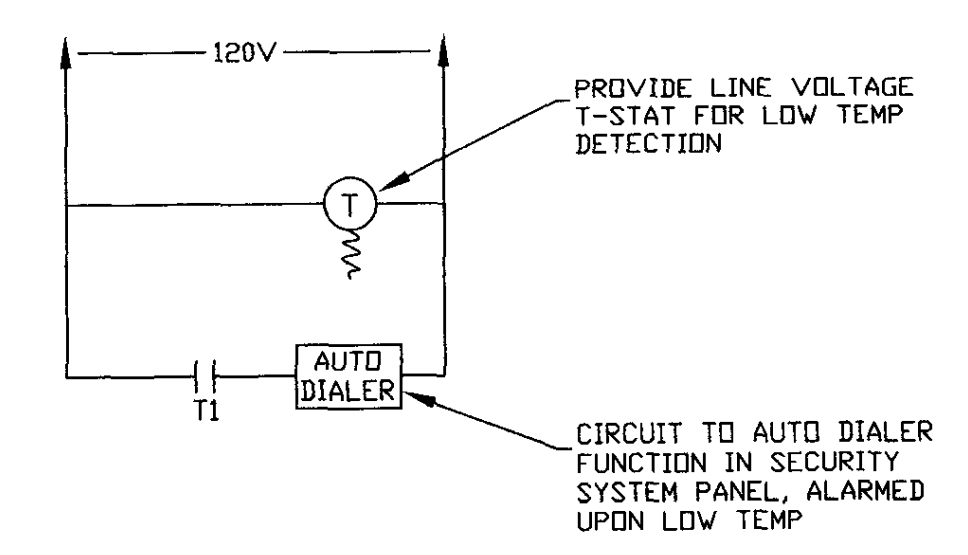
SCALE: 1/4" = 1'-0"

KEYNOTED NOTES - POWER PLANS:

1. FURNISH AND INSTALL METER AT LOCATION SHOWN AT THE EXTERIOR OF THE BUILDING. METER APPLICATION TYPE SHALL BE SPECIFIC FOR SWAPPING OUT WITHOUT LOSING EXISTING BUILDING POWER, SEE SPECS FOR DETAILS. A SINGLE MOTOR SHALL BE INSTALLED; HOWEVER, TWO MOTOR SOCKETS SHALL BE PROVIDED FOR FUTURE SEPARATION OF SERVICES, SEE POWER RISER.
2. FURNISH AND INSTALL ATS FOR EMERGENCY POWER TO ADT SIDE OF THE BUILDING ONLY. NOTE THAT DMV SIDE OF THE BUILDING SHALL NOT HAVE POWER TO LIGHTS AND VENTILATION IN CASE OF EMERGENCY. DMV WILL CONTINUE TO HAVE HEATING IN AN EMERGENCY. PROVIDE SPACE FOR POSSIBLE FUTURE A.T.S.
3. FURNISH AND INSTALL LOCKABLE DISCONNECT AT LOCATION SHOWN WITH SPECIFIED METER, ON THE EXTERIOR OF THE BUILDING.
4. PUSHBUTTON CONTROL STATIONS SUPPLIED WITH OVERHEAD DOOR, INSTALLED BY ELECTRICAL. VERIFY EXACT MOUNTING LOCATION (NEXT TO LIGHT SWITCHES) WITH OWNER PRIOR ROUGH-IN.
5. PROVIDE EXPLOSION PROOF MOTOR SENTINEL SWITCH AS REQUIRED FOR FUEL PUMP FOR BOILER.
6. FAN UNITS ARE LOCATED ON ROOF, PROVIDE WEATHERPROOF MOTOR SENTINEL SWITCH AND MAINTENANCE RECEPTACLE AS REQUIRED.
7. SEE SITE AND MECHANICAL PLANS FOR EXACT LOCATIONS OF GENERATOR AND CONDENSER UNIT ACC-2.
8. FURNISH AND INSTALL PADDLE FAN AND LOCAL CONTROL SWITCH LOCATED NEXT TO LIGHT SWITCHES.
9. MOUNT RECEPTACLE AT 36" AFF. AND FEED FROM ABOVE. CONDUIT SHALL NOT BE INSTALLED BELOW 18" UNLESS FITTED WITH EXPLOSION PROOF COMPONENTS AND METHODS.
10. SECURITY PANEL FOR AUTO DIAL TO HELP WHEN BUILDING TEMPERATURE DROPS BELOW 45°F. VERIFY EXACT INSTALLATION LOCATION WITH OWNER, SEE CONTROL SCHEMATIC DIAGRAM.
11. LOCATE LOW TEMP SENSOR AWAY FROM OUTSIDE DRAFTS AS DIRECTED BY OWNER.
12. SERVICE FEEDER FOR PANEL PAOT SHALL BE RUN WITHIN THE MASONRY BLOCK WALL.
13. FURNISH AND INSTALL 4'x8'x3/4" MARINE GRADE PLYWOOD BACKBOARD FOR TEL/DATA DEMARC AND NETWORK EQUIPMENT.
14. FURNISH AND INSTALL 1" CONDUIT TO GENERATOR AND PROVIDE CONTROL WIRES TO REMOTE GENERATOR CONTROL PANEL AS REQUIRED.
15. PROVIDE 120V CIRCUIT FIT UP FOR GENERATOR BATTERY CHARGER AS REQUIRED. VERIFY EXACT LOCATION IN FIELD.

120/240 VOLT 1 PHASE 3 WIRE AMP										175A MAIN CB SURFACE MOUNT 10K AC													
Description	Wire	Cond	NW	Blr	Qty	Qty	Blr	NW	Cond	Wire	Description	Wire	Cond	NW	Blr	Qty	Qty	Blr	NW	Cond			
LIGHTS - SERVICE BAY	2#12/1#10G	3/4"	1.0	20	1	A	2	20	1.4	3/4"	2#12/1#10G	LIGHTS - SERVICE BAY	2#12/1#10G	3/4"	1.0	20	1	A	2	20	1.4		
LIGHTS - BREAK OFFICE, BATHROOM	2#12/1#10G	3/4"	0.5	20	3	B	4	20	0.5	3/4"	2#12/1#10G	LIGHTS - EXTERIOR	2#12/1#10G	3/4"	1.0	20	1	A	2	20	1.4		
LIGHTS - UPPER LEVEL	2#12/1#10G	3/4"	0.5	20	5	A	6	20	1.0	1"	2#12/1#10G	LIGHTS - PARKING LOT	2#12/1#10G	3/4"	1.0	20	1	A	2	20	1.4		
RECEPTACLES - BREAK ROOM	2#12/1#10G	3/4"	1.5	20	7	B	8				2#12/1#10G	RECEPTACLES - BAYS	2#12/1#10G	3/4"	0.7	20	9	A	10	20	0.7		
RECEPTACLES - BAYS	2#12/1#10G	3/4"	0.7	20	9	A	10	20	0.7	3/4"	2#12/1#10G	RECEPTACLES - BAYS	2#12/1#10G	3/4"	0.7	20	9	A	10	20	0.7		
RECEPTACLES - WELDING AREA	2#12/1#10G	3/4"	0.4	20	11	B	12	50	5.0	3/4"	2#12/1#10G	WELDING OUTLET	2#12/1#10G	3/4"	0.4	20	11	B	12	50	5.0		
RECEPTS - OFFICE, BARRON & FAN F-1	2#12/1#10G	3/4"	1.3	20	13	A	14				2#12/1#10G	BOILER & COND. FAN	2#12/1#10G	3/4"	0.4	20	15	B	16	20			
RECEPTACLES - OUTSIDE	2#12/1#10G	3/4"	0.4	20	15	B	16	20		3/4"	2#12/1#10G	BOILER & COND. FAN	2#12/1#10G	3/4"	0.4	20	15	B	16	20			
CIRC PUMPS	2#12/1#10G	3/4"	0.5	20	17	A	18	20	0.5	3/4"	2#12/1#10G	CIRC PUMPS	2#12/1#10G	3/4"	0.5	20	17	A	18	20	0.5		
CIRC PUMPS	2#12/1#10G	3/4"	0.5	20	19	B	20	15	0.2	3/4"	2#12/1#10G	HWAC CONTROL PANEL	2#12/1#10G	3/4"	0.5	20	19	B	20	15	0.2		
RECEPTACLES - TELE BOARD	2#12/1#10G	3/4"	0.2	20	21	A	22	60	7.5	3/4"	2#12/1#10G	AIR COMPRESSOR	2#12/1#10G	3/4"	0.2	20	21	A	22	60	7.5		
FANS, FL, T2 & CEILING	2#12/1#10G	3/4"	0.8	20	23	B	24				2#12/1#10G	OVERHEAD DOOR	2#12/1#10G	3/4"	1.0	20	25	A	26	20	1.0		
OVERHEAD DOOR	2#12/1#10G	3/4"	1.0	20	25	A	26	20	1.0	3/4"	2#12/1#10G	OVERHEAD DOOR	2#12/1#10G	3/4"	1.0	20	25	A	26	20	1.0		
OVERHEAD DOOR	2#12/1#10G	3/4"	1.0	20	27	B	28	20	1.0	3/4"	2#12/1#10G	OVERHEAD DOOR	2#12/1#10G	3/4"	1.0	20	27	B	28	20	1.0		
AC-1	2#12/1#10G	3/4"	1.0	20	29	A	30	20	1.0	3/4"	2#12/1#10G	BOILER FUEL PUMP	2#12/1#10G	3/4"	1.0	20	31	D	32	20	1.0		
MOTORIZED GATE	2#12/1#10G	3/4"	1.0	20	31	D	32	20	1.0	3/4"	2#12/1#10G	MOTORIZED GATE	2#12/1#10G	3/4"	1.0	20	31	D	32	20	1.0		
PANEL PA	2#12/1#10G	1"	2.5	30	33	A	34	60	3.6	1"	2#12/1#10G	PANEL PS	2#12/1#10G	1"	2.5	30	33	A	34	60	3.6		
GENERATOR BLOK HEATER	2#12/1#10G	1"		20	37	A	38	20	1.0	3/4"	2#12/1#10G	EFFLUENT PUMP	2#12/1#10G	3/4"	0.5	20	39	B	40	20	0.5		
SPARE	2#12/1#10G	3/4"	0.5	20	41	A	42	20	1.3	3/4"	2#12/1#10G	RECEPTACLES UPPER LEVEL	2#12/1#10G	3/4"	0.5	20	41	A	42	20	1.3		
SPARE	2#12/1#10G	3/4"	0.5	20	41	A	42	20	1.3	3/4"	2#12/1#10G	RECEPTACLES UPPER LEVEL	2#12/1#10G	3/4"	0.5	20	41	A	42	20	1.3		
LOAD DATA		kW		Amps		NOTES																	
Phase A																							
Phase B																							
Total Connected		47.2		196																			

120/240 VOLT 1 PHASE 3 WIRE AMP										125A MAIN CB SURFACE MOUNT 10K AC													
Description	Wire	Cond	NW	Blr	Qty	Qty	Blr	NW	Cond	Wire	Description	Wire	Cond	NW	Blr	Qty	Qty	Blr	NW	Cond			
LIGHTING - OFFICE, BATHS	2#12/1#10G	3/4"		20	1	A	2	20		3/4"	2#12/1#10G	LIGHTING - MEETING ROOM	2#12/1#10G	3/4"		20	1	A	2	20			
LIGHTING - PARKING LOT	2#12/1#10G	3/4"	0.8	20	3	B	4	20		3/4"	2#12/1#10G	RECEPTACLES - BATHS, KITCHEN	2#12/1#10G	3/4"		20	3	B	4	20			
RECEPTACLES - ELECTRICAL RM	2#12/1#10G	3/4"		20	5	A	6	20		3/4"	2#12/1#10G	RECEPTACLES - WAREHOUSE	2#12/1#10G	3/4"		20	5	A	6	20			
RECEPTACLES - MEETING	2#12/1#10G	3/4"		20	7	B	8	15-20		3/4"	2#12/1#10G	AC-2	2#12/1#10G	3/4"		20	7	B	8	15-20			
ACC-2	2#12/1#10G	3/4"		60	9	A	10				2#12/1#10G	PANEL PD	2#12/1#10G	1"		11	B	12	20-20				
RECEPTS (WP) & FANS (F-1)	2#12/1#10G	3/4"		20	13	A	14				2#12/1#10G	PANEL PD	2#12/1#10G	1"		11	B	12	20-20				
TEL. RECEPT - TELEPHONE CABINET	2#12/1#10G	3/4"		20	15	B	16				2#12/1#10G		2#12/1#10G	3/4"		20	15	B	16				
											2#12/1#10G		2#12/1#10G	3/4"		20	17	A	18				
											2#12/1#10G		2#12/1#10G	3/4"		19	B	20					
LOAD DATA		kW		Amps		NOTES																	
Phase A																							
Phase B																							
Total Connected																							



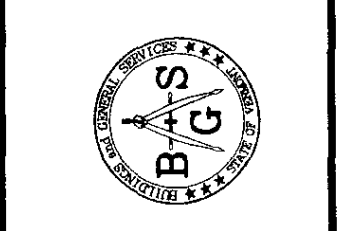
SECURITY SYSTEM SCHEMATIC

NTS

**KIRICK ENGINEERING ASSOCIATES, P.C.**  
*Electrical / Telecom Consulting*  
 5399 WILLISTON ROAD  
 SUITE 103  
 WILLISTON, VT 05495  
 Phone: 802-655-5731 Fax: 888-844-7172



**D&W**  
 DORE AND WEITZLER, INC.  
 Architects • Project Managers



STATE OF VERMONT  
 DEPARTMENT OF BUILDINGS  
 AND GENERAL SERVICES  
 AGENCY OF ADMINISTRATION  
 VERMONT  
 MONTPELIER

AGENCY OF TRANSPORTATION  
 N. FERRISBURGH MAINTENANCE FACILITY  
 N. FERRISBURGH, VERMONT

REVISIONS

SCALE: AS NOTED	DATE: 01/04/06	DRAWN BY: D/G	APPR. BY: T/PK
-----------------	----------------	---------------	----------------

ELECTRICAL  
 POWER  
 PLAN

E1