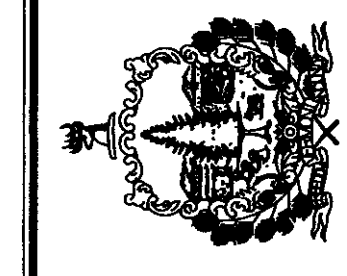




STATE OF VERMONT
 Department of Buildings
 and General Services
 Agency of Administration
 Montpelier, Vermont



VERMONT

AGENCY OF TRANSPORTATION
 NORTH FERRISBURG GARAGE
 PIPING SCHEMATIC

NORTH FERRISBURG,

REVISIONS

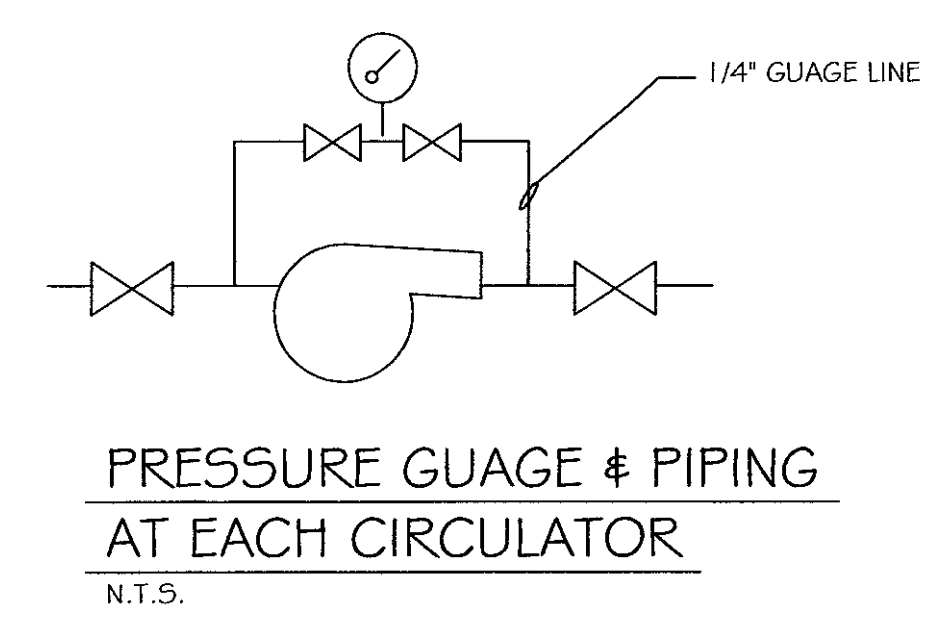
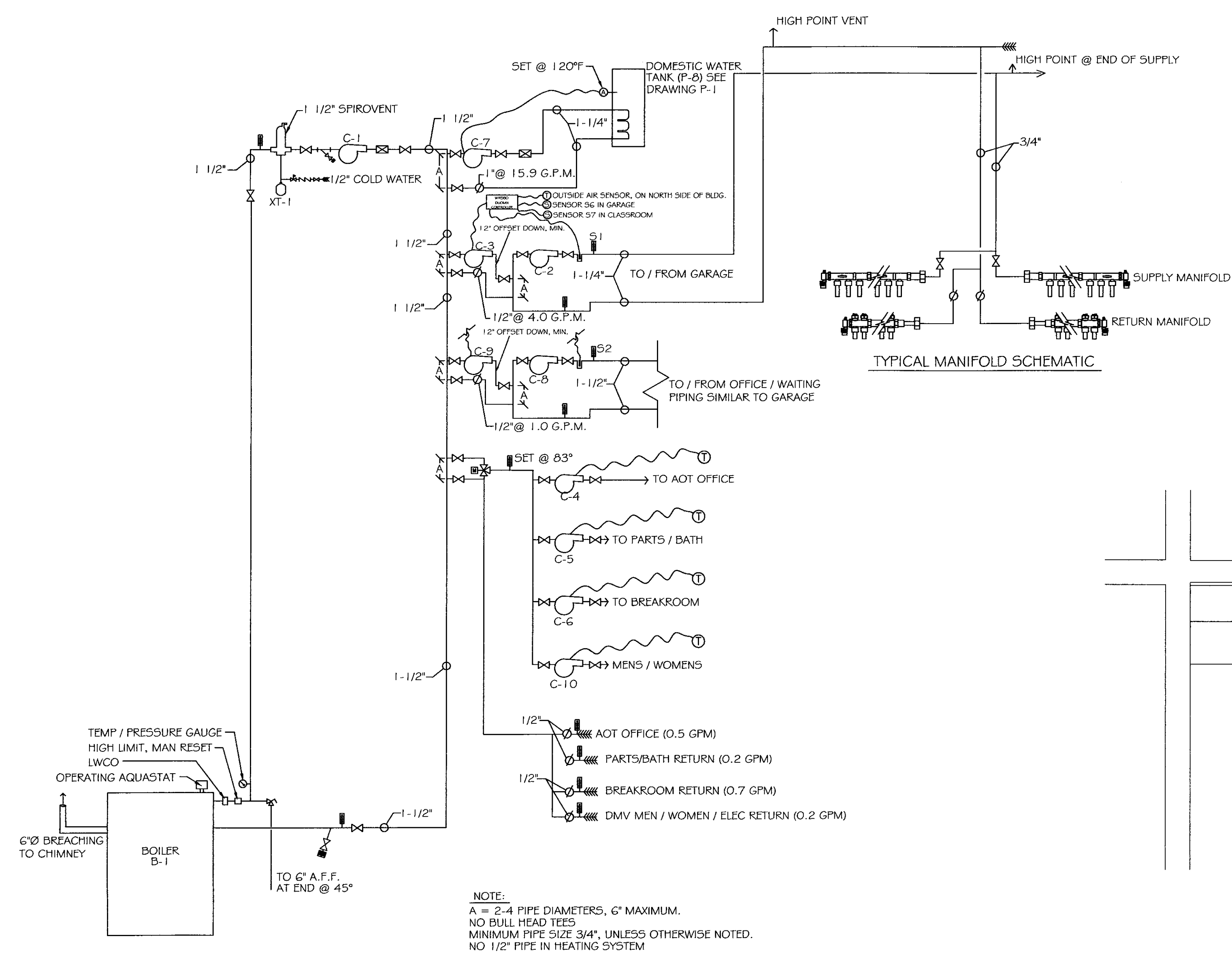
SCALE: AS NOTED
DATE: JANUARY 4, 2006
DRAWN BY: N. HERSEY
APPR. BY: TEIGH

A.O.T.

NORTH FERRISBURG GARAGE

SCHEMATIC

M-3



DIFFUSER SCHEDULE

SYMBOL	MAKE	MANUF. MODEL # TYPE	NECK SIZE	CFM	REMARKS
(A)	METALAIR	SERIES 7000 R	6 X 6	100	6 X 6 DUCT UP TO F-1 ON ROOF

