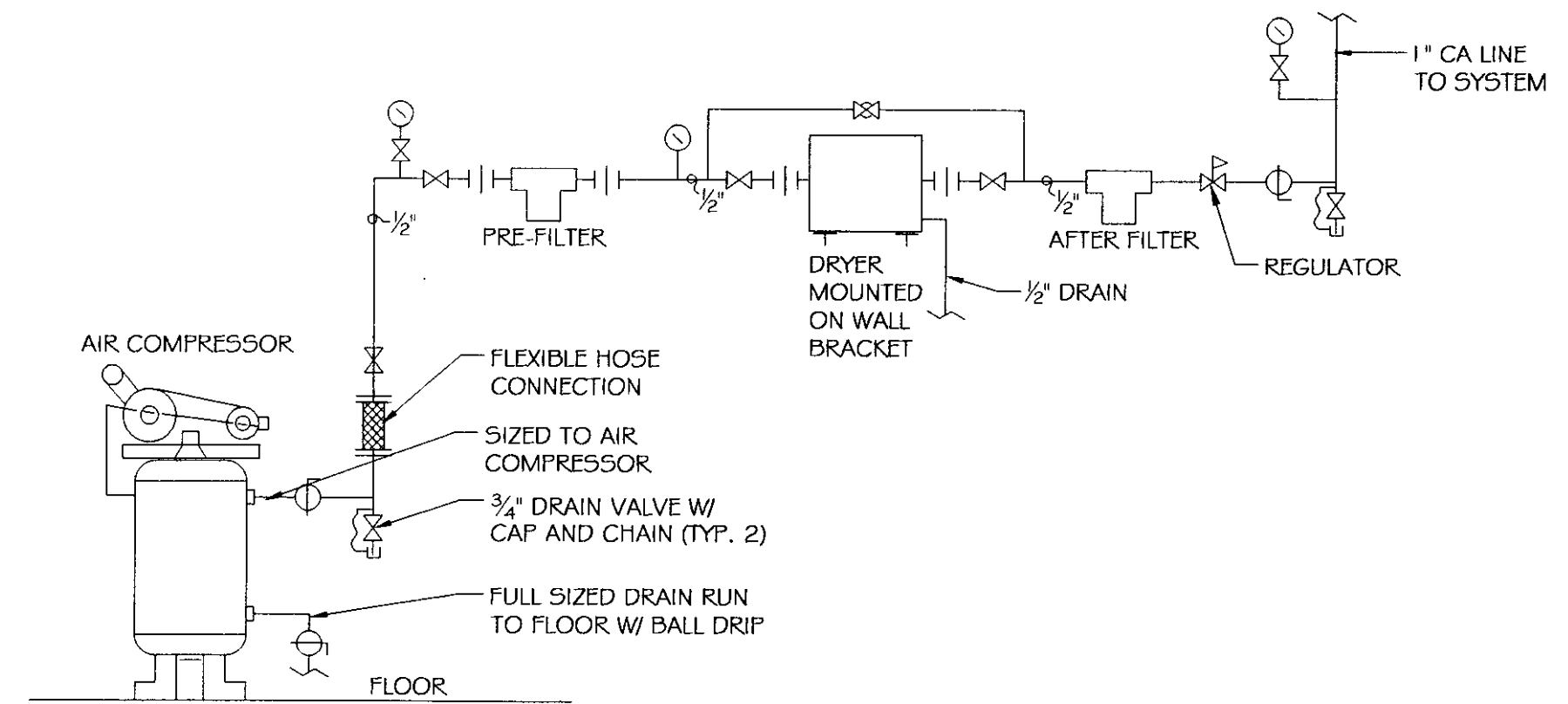
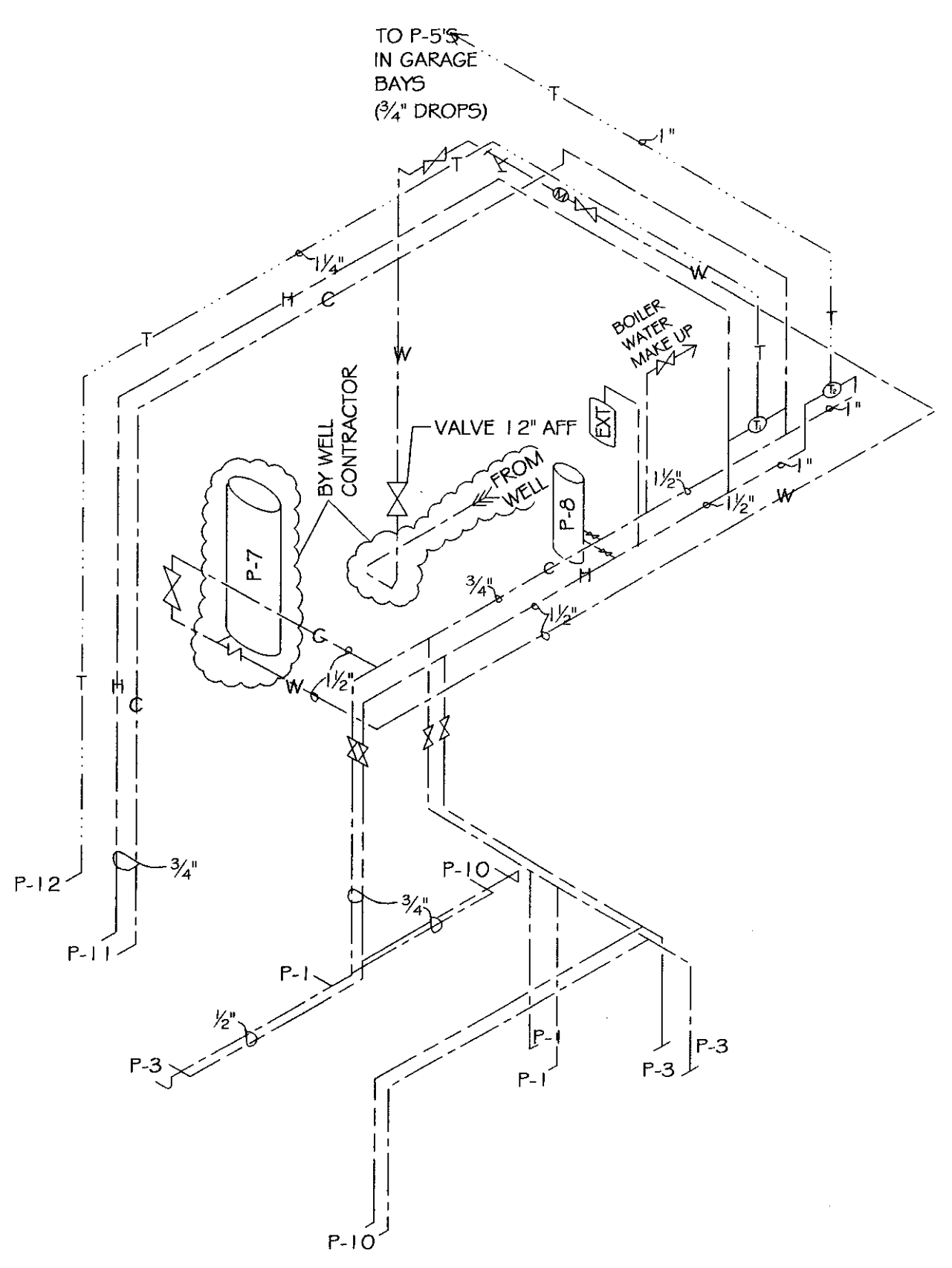


WASTE & VENT RISER DIAGRAM
N.T.5



COMPRESSED AIR PIPING DIAGRAM
N.T.5

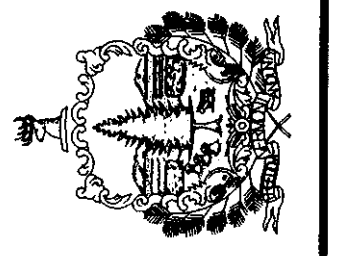


SUPPLY RISER DIAGRAM
N.T.5

FIXTURE SCHEDULE				ROUGH IN			
ABR.	FIXTURE	DESCRIPTION	NOTES	DRAIN	VENT	COLD	HOT
P-1	TOILET	WATER CLOSET, WALL MOUNT, CLOSE-COUPLED, TANK TYPE, 1.6GPF; ELIER 'WALFORD' #091-7925, WHITE VITREOUS CHINA, ELONGATED, PRESSURE ASSISTED SIPHON JET ACTION, WALL MOUNTED, CLOSE COUPLED FLUSHMETER TANK, MOUNTED WITH RIM AT 17". SEAT TO BE ELONGATED, OPEN FRONT WITH BOLT CAPS. PROVIDE SUPPLY STOP AND CARRIER.		4"	2"	1/2"	-
P-2	URINAL	NOT USED		-	-	-	-
P-3	LAVATORY	LAVATORY, WALL HUNG, WHITE VITREOUS CHINA, 20" X 18", REAR OVERFLOW, 4" CENTER FAUCET HOLES; ELIER 'BLAIR' #051-1308, WITH WALL HANGER. FITTINGS SHALL BE CHROME SINGLE LEVER CONTROL WITH CERAMIC ELEMENTS, OFFSET GRID STRAINER, SYMMONS 'SYMMETRIX' MODEL S-20-2-0FG-1ST.	MOUNT WITH RIM @ 34" A.F.F.	1 1/2"	1 1/2"	1/2"	1/2"
P-4	SERVICE SINK	NOT USED		-	-	-	-
P-5	HOSE BIBB	INTERIOR HOSE BIBB: BRONZE OR BRASS, REPLACEABLE HEXAGONAL DISC, HOSE THREADS SPOUT, CHROME PLATED WITH VACUUM BREAKER. WATTS SC8-2 WITH VACUUM BREAKER.	MOUNT @ 54" AFF	-	-	-	1/2"
P-5FP		WALL HYDRANT: NON-FREEZE, SELF-DRAINING TYPE WITH CHROME PLATED HOSE THREAD SPOUT, REMOVABLE KEY AND VACUUM BREAKER.		-	-	-	-
P-6	FLOOR DRAIN	CAST IRON BODY WITH FLASHING CLAMP, 5" ROUND, ADJUSTABLE NICKEL-BRONZE SQUARE HOLE STRAINER, AS MANUFACTURED BY ZURN INDUSTRIES, ZN-415-P-4XX-5B. PROVIDE WITH TRAP PRIMER.	PROVIDE W/ TRAP PRIMER FROM COLD WATER AT NEAREST FAUCET SET	2"	-	-	-
P-7	FLOOR DRAIN	NOT USED		-	-	-	-
P-8	WATER HEATER	INDIRECT FIRED WATER HEATER: BUDERUS ST-150, 40 GALLON INSULATED TANK WITH COIL INSIDE, 159 GALLON PER HOUR RATING FROM 50°F TO 140°F.	PROVIDE P&T RELIEF VALVE.	-	-	1 1/2"	1 1/2"
P-9	PRESSURE TANK	BY WELL CONTRACTOR		-	-	1 1/2"	-
P-10	SINK	KITCHEN: ELKAY, SINGLE COMPARTMENT, 18 GAUGE, STAINLESS STEEL WITH 4 HOLE FAUCET DECK MODEL DLR-2222-10. FITTINGS SHALL BE CHROME SINGLE LEVER CONTROL WITH SEPARATE SPRAY, STAINLESS DOU STRAINER, CUP STRAINERS, AND P-TRAP, SYMMONS 'SYMMETRIX' MODEL 2-23-2-W-10-15T.		2"	4"	1/2"	1/2"
P-11	MOP FILL	WALL MOUNT FAUCET SHALL BE ROUGH FINISHED CHROME WITH VACUUM BREAKER AND HOSE THREADS: AMERICAN STANDARD FAUCET #8344.112.	MOUNT WITH SPOUT @ 24" A.F.F.	-	-	3/4"	3/4"
P-12	EYEWASH	10' ABS PLASTIC SHOWER HEAD AND A STAINLESS STEEL EYEWASH RECEPTOR WITH TWIN SOFT-FLO ABS PLASTIC ANTI-SURGE EYEWASH HEADS. A FULL ROD ACTIVATED SHOWER. PUSH FLAG OR FOOT TREADLE ACTIVATES EYEWASH. PIPE AND FITTINGS 1 1/2" SCHEDULE 40 HOT DIPPED GALVANIZED STEEL. HAWG MODEL #8300. PROVIDE WITH HAWG MODEL 9201 TEMPERED WATER BLENDING VALVE IN A HAWG MODEL 9205 SUR SURFACE MOUNTED STAINLESS STEEL CABINET.		-	-	-	-
⊗	CLEANOUTS	AS INDICATED OR REQUIRED BY CODE. CLEANOUTS SAME SIZE AS PIPE. FLOOR CLEANOUTS TO BE SET FLUSH WITH FLOOR, ZURN MODEL Z-1400-1 OR APPROVED EQUAL.		-	-	-	-



STATE OF VERMONT
Department of Buildings
and General Services
Agency of Administration
Montpelier, Vermont



AGENCY OF TRANSPORTATION
NORTH FERRISBURG GARAGE
PLUMBING PLAN

REVISIONS

SCALE: AS NOTED
DATE: JANUARY 4, 2006
DRAWN BY: N. HERSEY
APPR. BY: TEIGH

A.O.T.
NORTH FERRISBURG
GARAGE
PLUMBING
PLAN

P-2