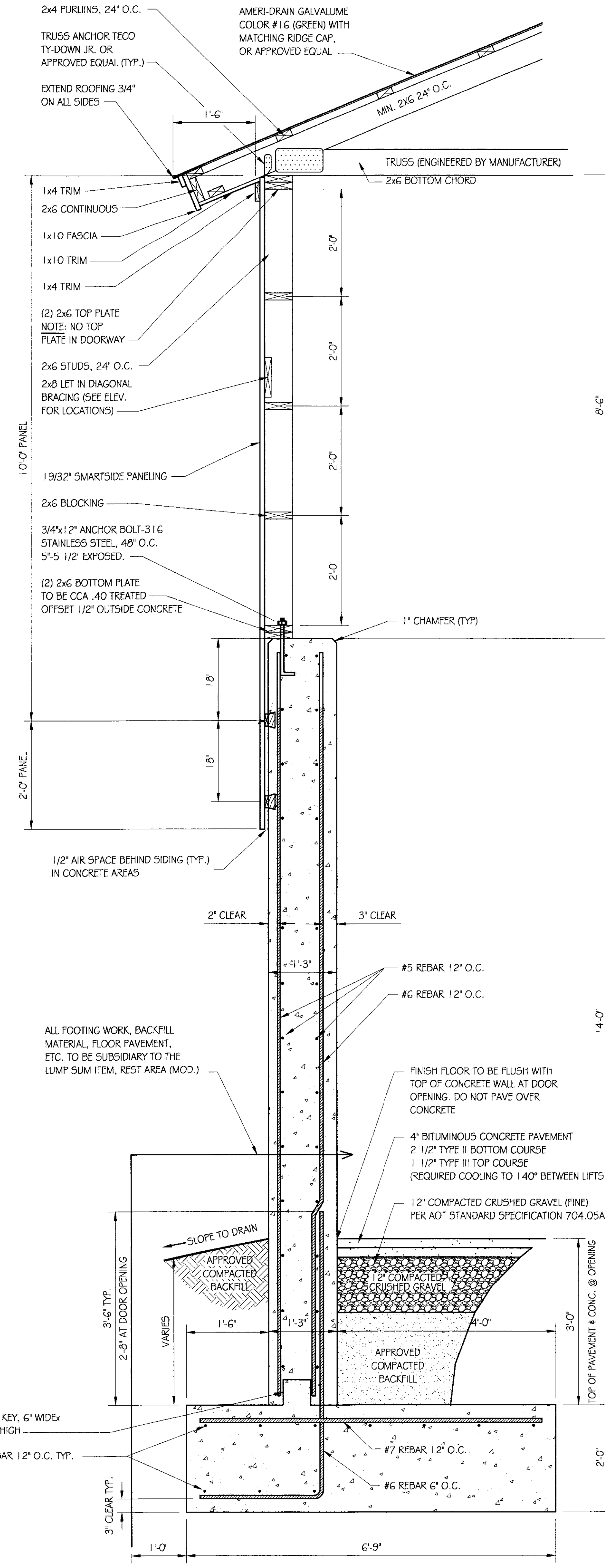
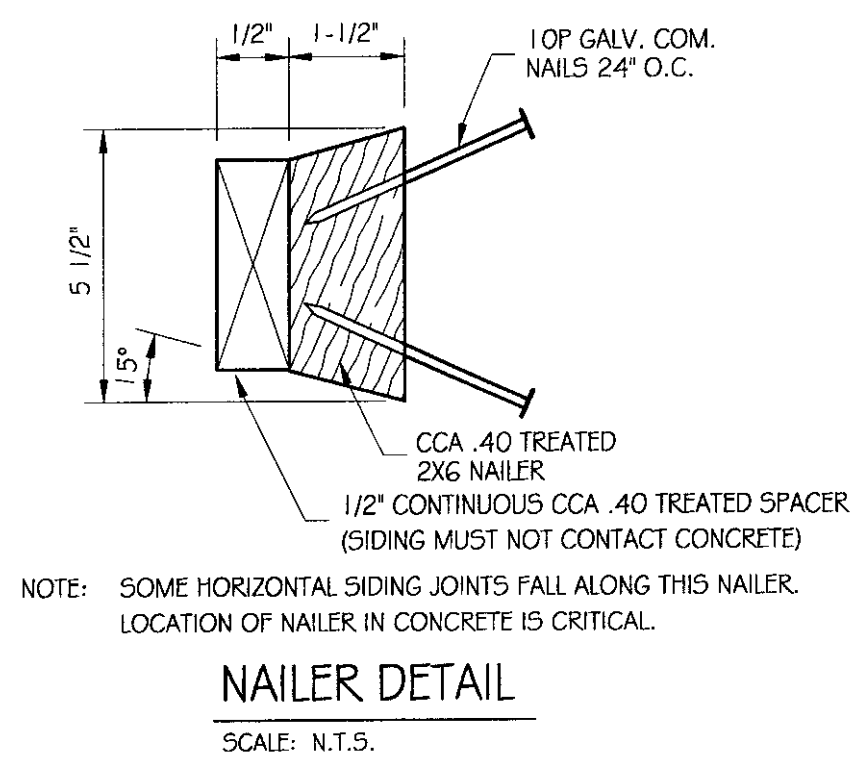
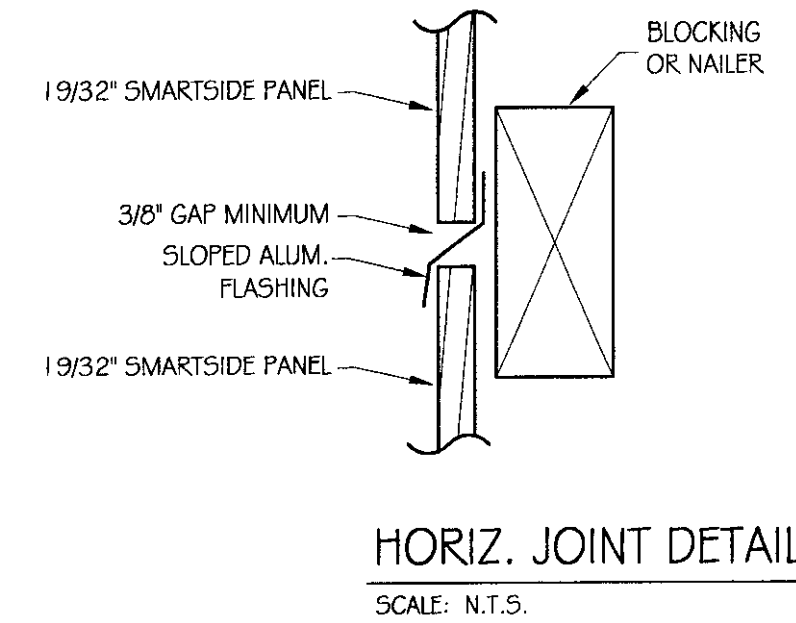
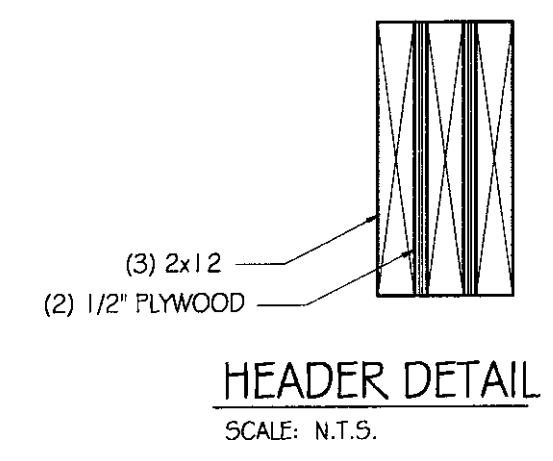
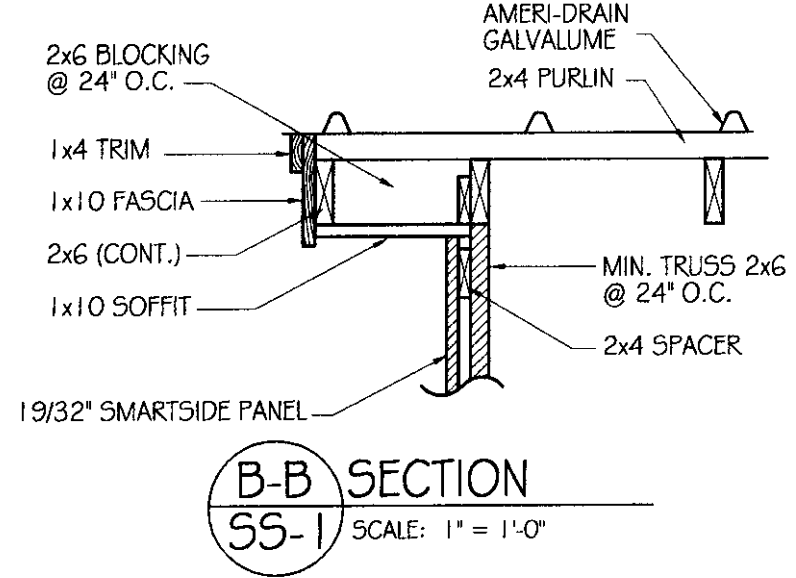
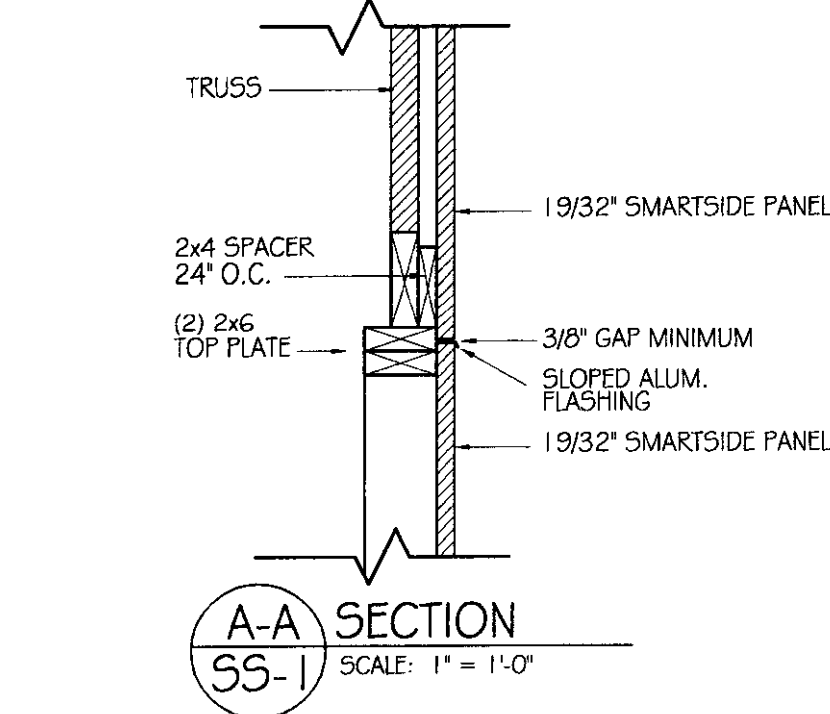
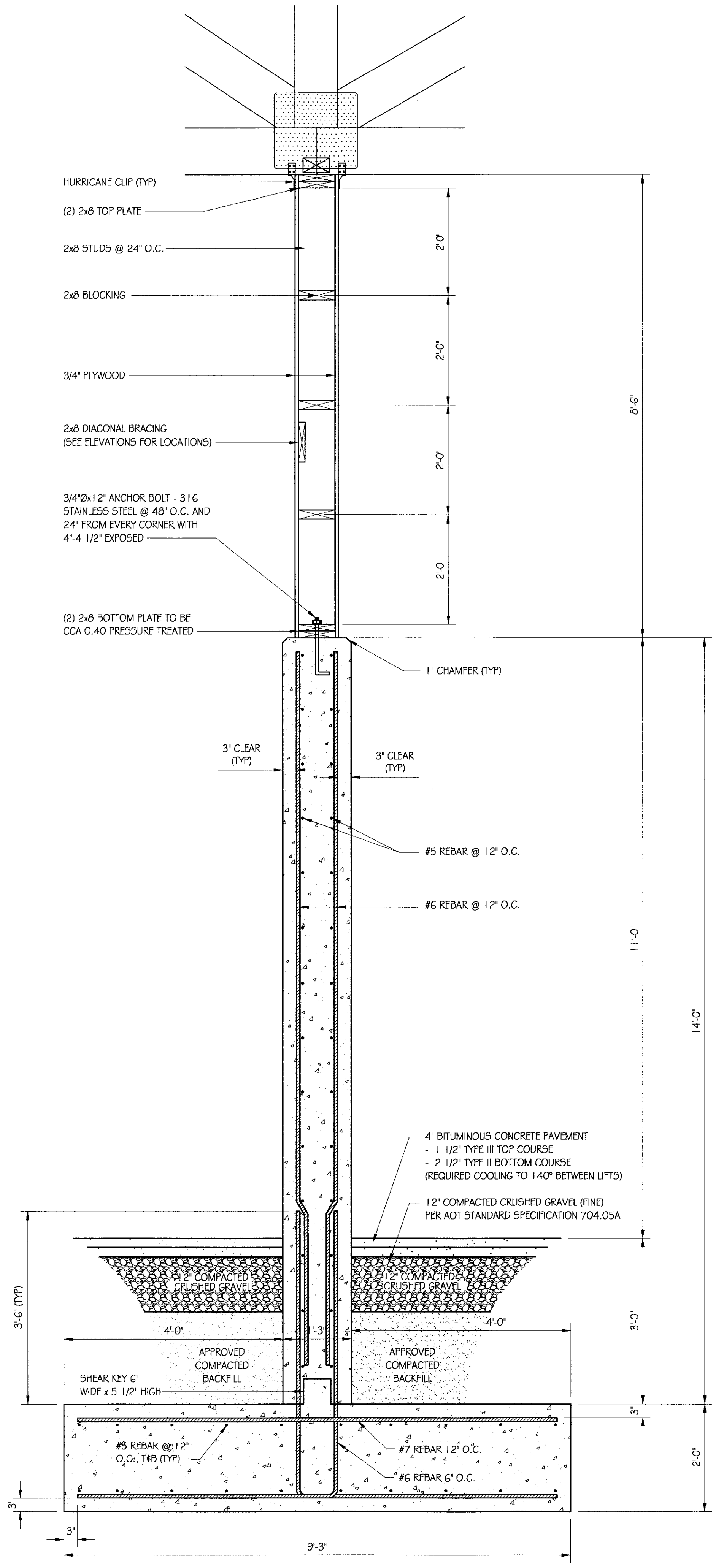


I:\Drawings\projects\ACT North Ferrisburgh\REVISED AOT 12-2-05\Drawings\Rec'd From Consultants\State\Rec'd 1-18-06\64x64\SaltShed2000.dwg, 01/18/2006 01:26:17 PM, abrown



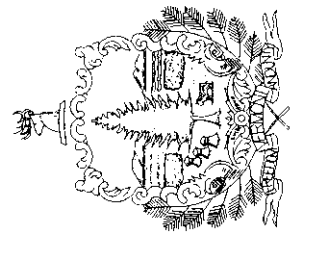
**A** WALL SECTION  
SS-1 SCALE: 3/4" = 1'-0"



**B** WALL SECTION  
SS-1 SCALE: 3/4" = 1'-0"



STATE OF VERMONT  
Department of Buildings  
and General Services  
Agency of Administration  
Montpelier, Vermont



VERMONT

AGENCY OF TRANSPORTATION  
NEW 64' x 64' SALT / SAND SHED  
SECTIONS  
NORTH FERRISBURGH

REVISIONS	AS NOTED	DATE	DRAWN BY:	APPR. BY:
		JANUARY 4, 2006	S. K. Janawicz	M. MILLER

AGENCY OF TRANSPORTATION  
NEW 64' x 64'  
SALT / SAND SHED  
SECTIONS

SS-2