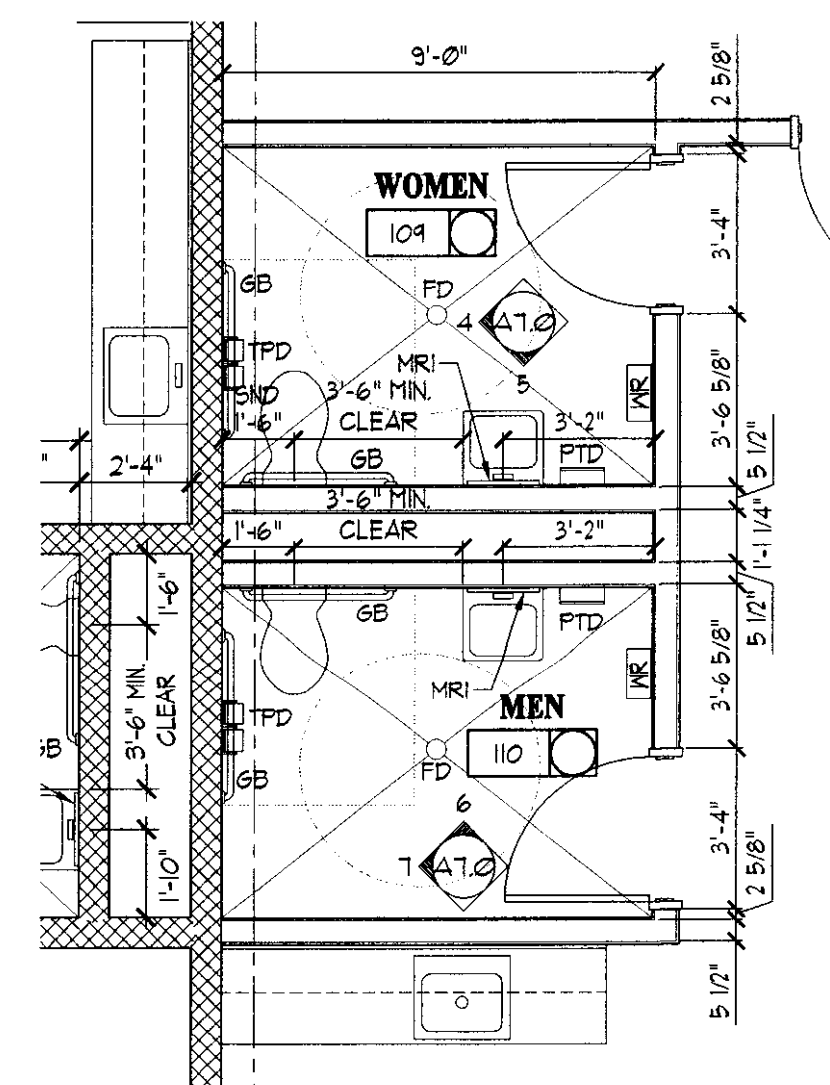
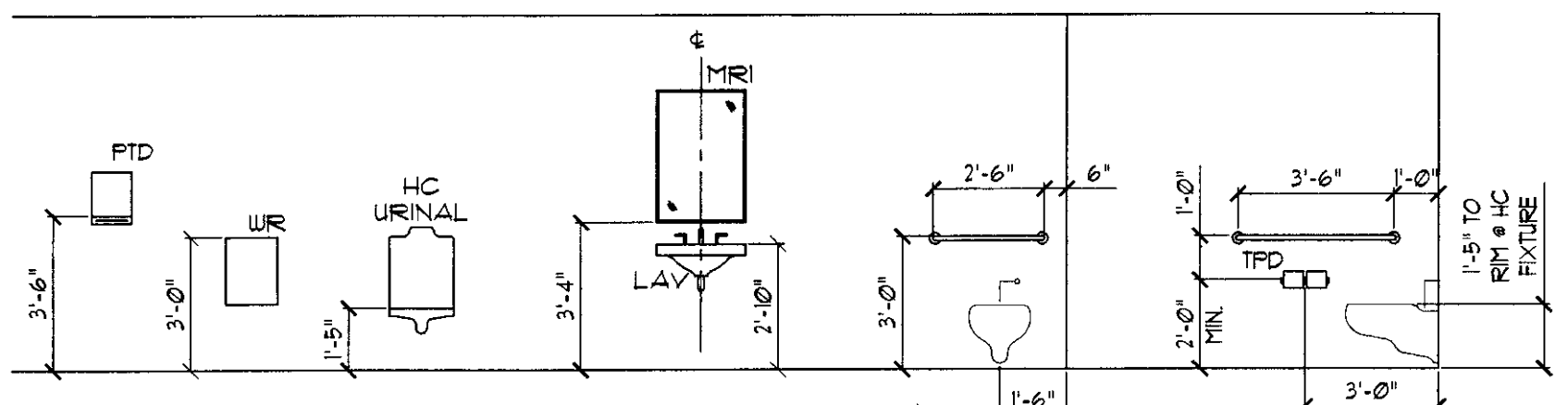


**1 ENLARGED PLAN @ TOILET 106**  
1/4" = 1'-0"



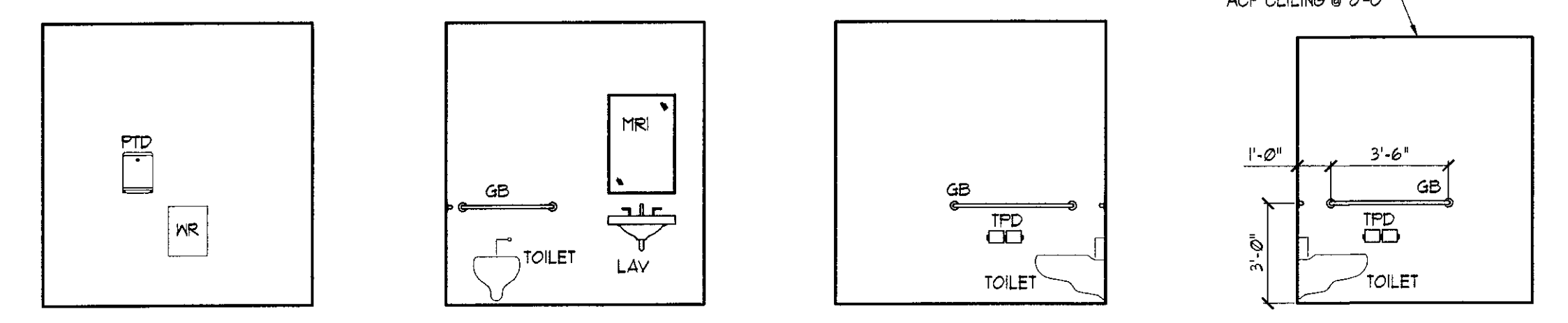
**2 ENLARGED PLANS @ MEN 110, WOMEN 111**  
1/4" = 1'-0"

NOTE: PROVIDE ACCESS PANELS IN PLUMBING CHASE WALL AS REQUIRED - SEE PLUMBING DRUGS AND SPECS.

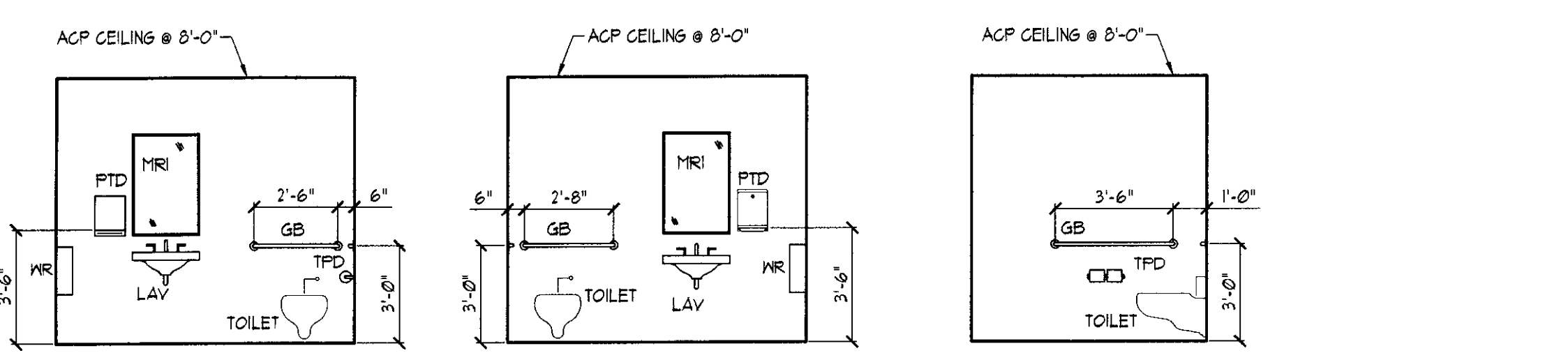


ABBREVIATION	DESCRIPTION
MRI	MIRROR: 24" X 36"
GB	GRAB BAR
TFD	SURF. MOUNT TOILET TISSUE HOLDER
PTP	PHENOLIC TOILET PARTITION
PTD	PAPER TOWEL DISPENSER
UR	WASTE RECEPTACLE

- NOTE:
- GC TO FULLY GROUT CMU BLOCK CELLS FOR MOUNTING ALL ACCESSORIES.
  - GC TO PROVIDE WOOD BLOCKING AS REQUIRED FOR MOUNTING ACCESSORIES IN STUD WALLS.

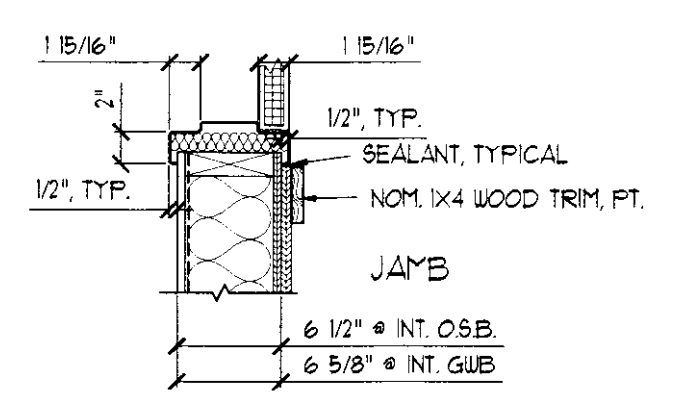
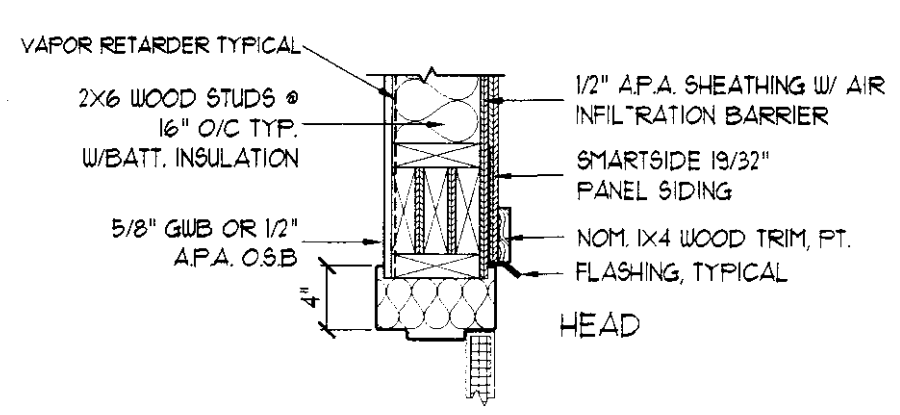


**1 TOILET 106**      **2 TOILET 106**      **3 TOILET 106**      **4 WOMEN 109**

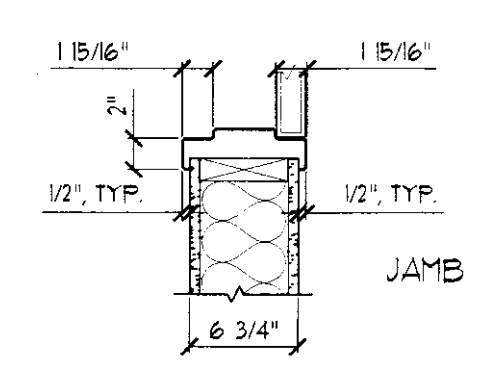
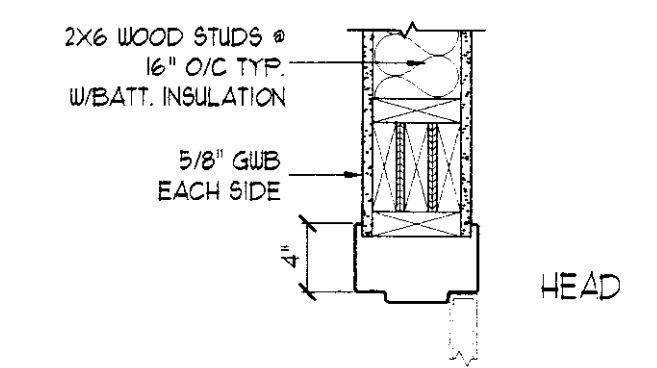


**5 WOMEN 109**      **6 MEN 110**      **7 MEN 110 TOILET ELEV.**  
1/4" = 1'-0"

**4 WINDOW TYPES**  
1/4" = 1'-0"

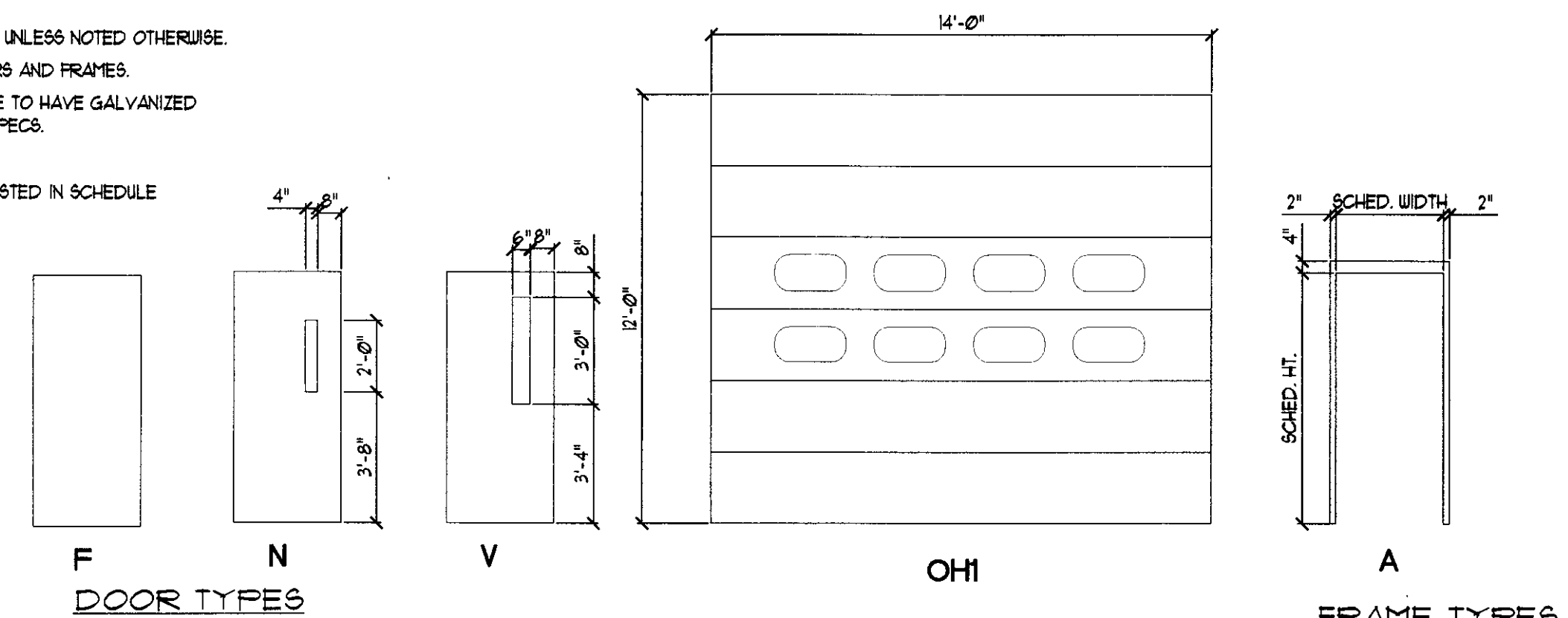


**6 TYPICAL EXTERIOR DOOR JAMB/HEAD**      **7 TYPICAL INTERIOR CMU DOOR JAMB/HEAD**  
1" = 1'-0"



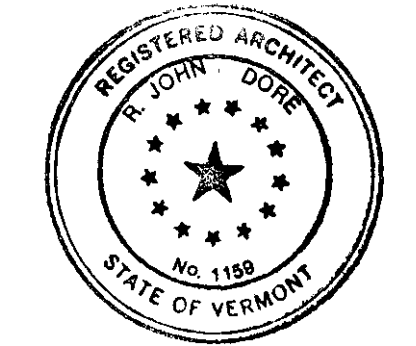
**8 TYPICAL INTERIOR STUD DOOR JAMB/HEAD**  
1" = 1'-0"

**5 DOOR AND FRAME TYPES**  
1/4" = 1'-0"



- NOTES:
- ALL DOORS ARE 1 3/4" THICK UNLESS NOTED OTHERWISE.
  - INSULATE ALL EXT. HM. DOORS AND FRAMES.
  - ALL DOORS AND FRAMES ARE TO HAVE GALVANIZED PRIMER THEN PAINTED. SEE SPECS.
- DOOR SYMBOL:
- DOOR NUMBER LISTED IN SCHEDULE  
HARDWARE SET

NUMBER	TYPE	DOOR			FR. TYPE	FR. MATERIAL	FR. FINISH	FRAME			LABEL	REMARKS	DOOR NUMBER
		MATERIAL	FINISH	SIZE				JAMB	SILL				
2	V	HM	PT	3'-0" X 7'-0"	A	HM	PT	6/A-10	6 x 9/A-10	-	-	INSULATED EXTERIOR DOOR	1
3	OHI	STL	PT	12'-0" X 14'-0"	-	-	PT	-	4 x 9/A-20	-	-	-	2
4	OHI	STL	PT	12'-0" X 14'-0"	-	-	PT	-	4 x 9/A-20	-	-	-	3
5	OHI	STL	PT	12'-0" X 14'-0"	-	-	PT	-	4 x 9/A-20	-	-	-	4
6	V	HM	PT	3'-0" X 7'-0"	A	HM	PT	6/A-10	6 x 9/A-10	-	-	INSULATED EXTERIOR DOOR	5
7	N	HM	PT	3'-0" X 7'-0"	A	HM	PT	1/A-10	1/A-10	-	-	-	6
8	F	HM	PT	3'-0" X 7'-0"	A	HM	PT	1/A-10	1/A-10	-	-	-	7
9	F	HM	PT	3'-0" X 7'-0"	A	HM	PT	1/A-10	1/A-10	-	-	-	8
10	N	HM	PT	3'-0" X 7'-0"	A	HM	PT	1/A-10	1/A-10	-	-	-	9
11	F	HM	PT	3'-0" X 7'-0"	A	HM	PT	8/A-10	8/A-10	-	-	-	10
12	F	HM	PT	3'-0" X 7'-0"	A	HM	PT	8/A-10	8/A-10	-	-	-	11
13	F	HM	PT	3'-0" X 7'-0"	A	HM	PT	8/A-10	8/A-10	-	-	-	12
14	V	HM	PT	3'-0" X 7'-0"	A	HM	PT	6/A-10	6/A-10	-	-	INSULATED EXTERIOR DOOR	13
15	V	HM	PT	3'-0" X 7'-0"	A	HM	PT	6/A-10	6/A-10	-	-	INSULATED EXTERIOR DOOR	14
16	F	HM	PT	3'-0" X 7'-0"	A	HM	PT	1/A-10	1/A-10	-	-	-	15



D&W  
DORSEY & WHEELER, INC.  
ARCHITECTS - PROJECT MANAGERS

STATE OF VERMONT  
DEPARTMENT OF BUILDINGS  
AND GENERAL SERVICES  
AGENCY OF ADMINISTRATION  
MONTPELIER, VERMONT

AGENCY OF TRANSPORTATION  
N. FERRISBURGH MAINTENANCE FACILITY  
NORTH FERRISBURGH VERMONT

REVISIONS

SCALE: AS NOTED  
DATE: 1/4/06  
DRAWN BY: VFW  
APPR. BY: APB

N. FERRISBURGH  
MAINTENANCE GARAGE  
TOILET DETAILS  
DOOR SCHEDULE  
WINDOW TYPES

A-7.0